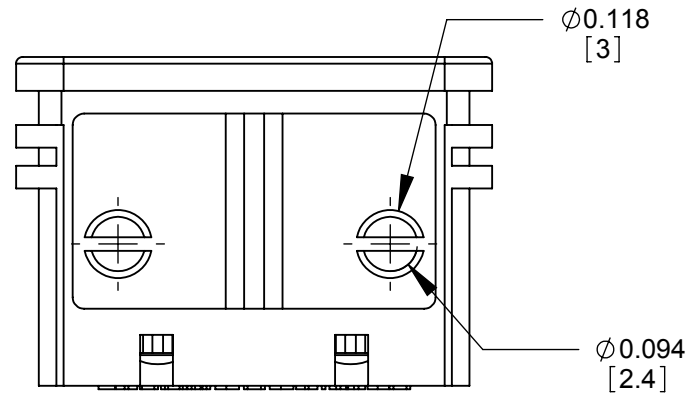
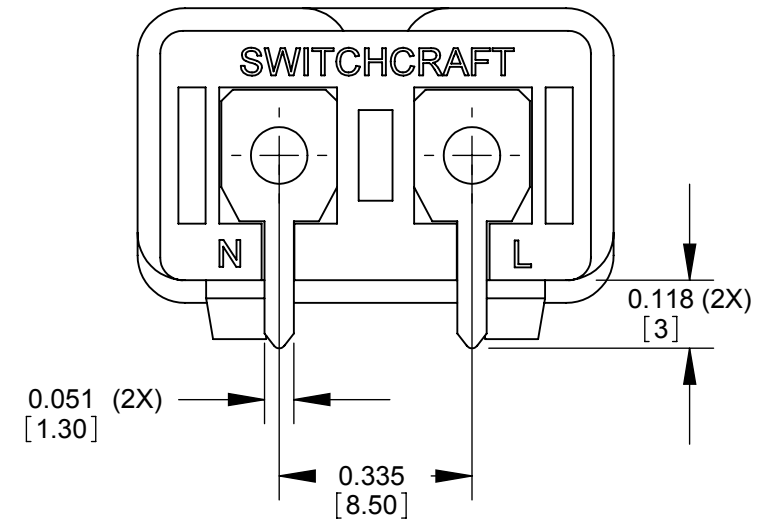
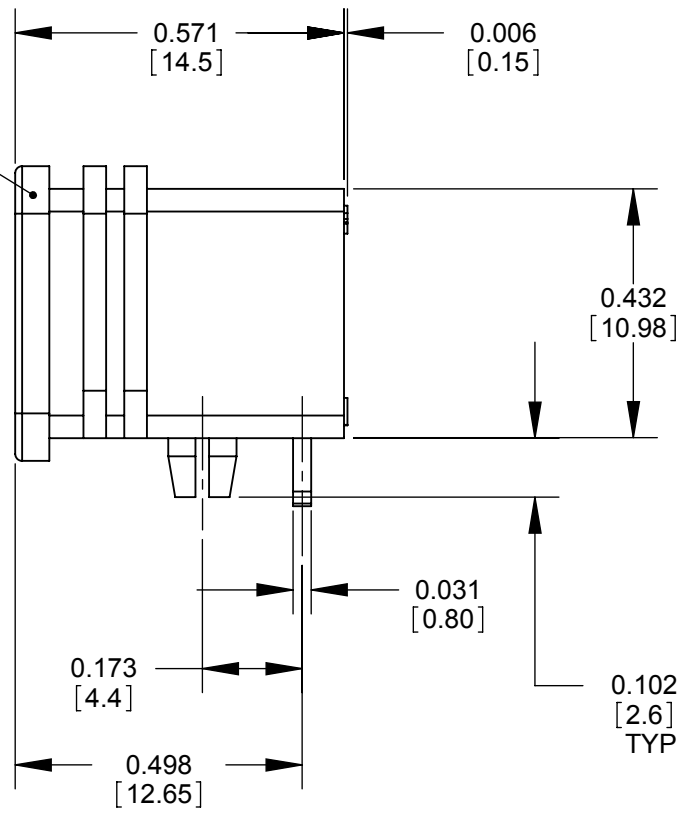
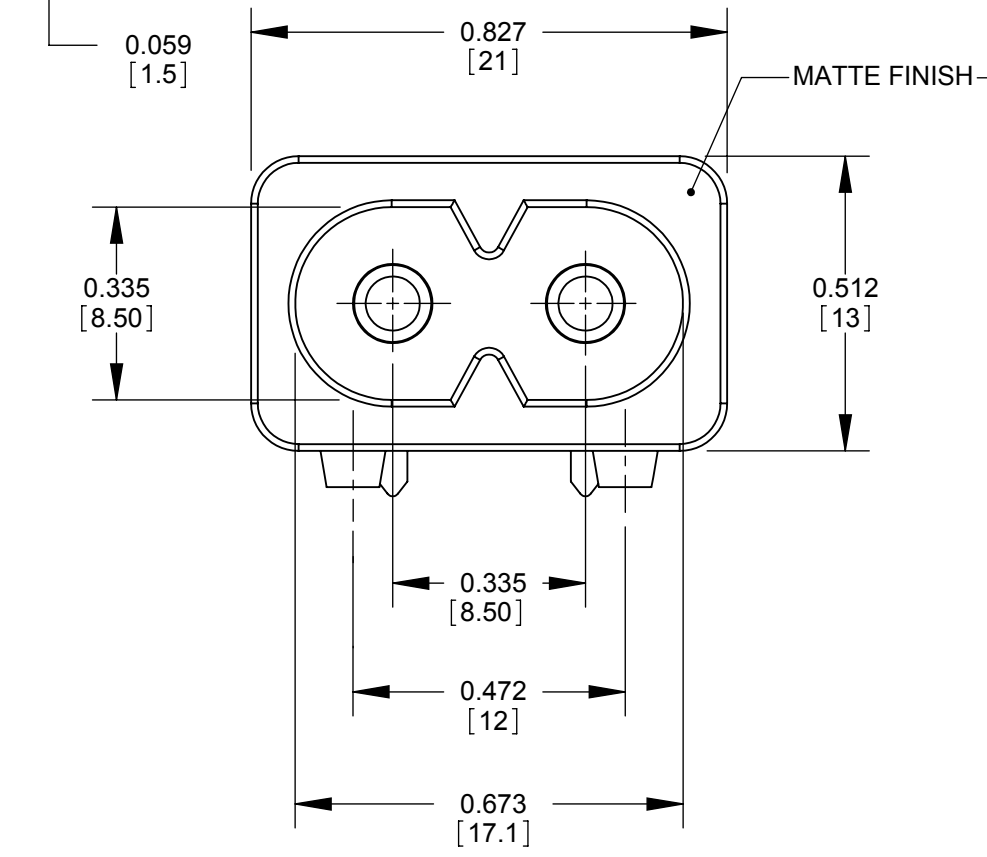


- NOTES:
1. ALL DIMENSIONS SHOWN ARE FOR REFERENCE ONLY.
  2. SPECIFICATIONS:  
CURRENT RATING: 5A, UL AND CSA  
NOMINAL VOLTAGE: 250V  
TEMPERATURE RANGE: -55°C TO 65°C  
DIELECTRIC STRENGTH: 2000V @ 1 MINUTE
  3. MATERIALS:  
HOUSING: BLACK, MOLDED THERMOPLASTIC UL 94V-0  
MALE PINS: COPPER ALLOY, NICKEL PLATED  
PC TERMINALS: COPPER ALLOY, TIN PLATED (LEAD FREE)
  4. THIS PRODUCT IS RoHS COMPLIANT.



**CUSTOMER DRAWING**

REV	ECO NUMBER	DATE	BY	APVD
B	27381	10-10-14	TJK	TJK
A	26126	9-12-06	RF	TJK

REVISIONS

UNLESS OTHERWISE SPECIFIED

1. ALL DIMENSIONS IN INCHES

- TWO PLACE DECIMALS ±0.02

- THREE PLACE DECIMALS ±0.005

DO NOT SCALE DRAWING

THIS DRAWING DESCRIBES A DESIGN CONSIDERED PROPRIETARY IN NATURE, DEVELOPED AND MANUFACTURED BY SWITCHCRAFT INC. AND IS RELEASED ON A CONFIDENTIAL BASIS FOR IDENTIFICATION PURPOSES ONLY.									
SIZE	WIDTH	MULT	LBS/M	TEMPER					
FINISH					MATERIAL				
SPEC No.					SPEC No.				
FIRST USED ON					SCALE				
					3:1				
DATE DRAWN	BY	CHKD	APVD						
9-12-06	RF	RF	TJK						
			9-12-06	9-12-06					
NAME					PART No.				
2 PIN MALE RECEPTACLE, RoHS					RAPC322X				
									REV
									B