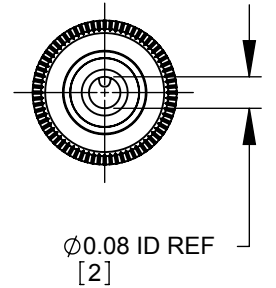
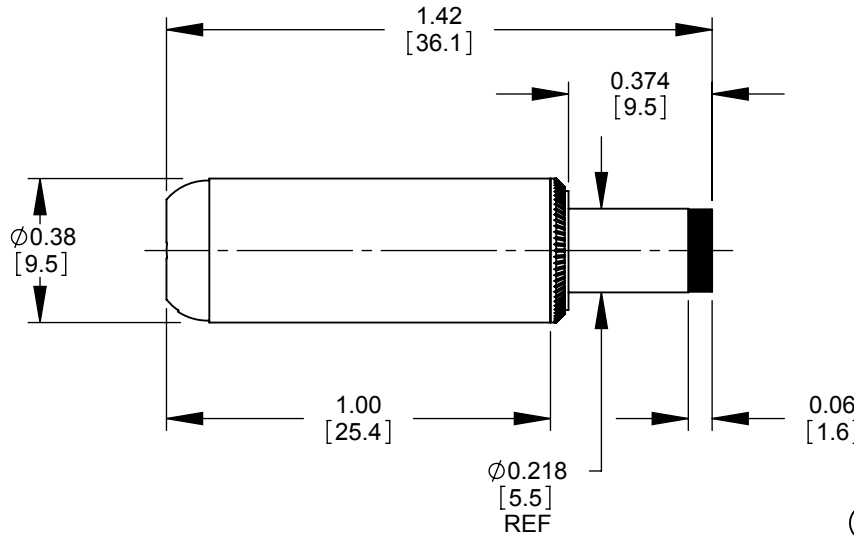
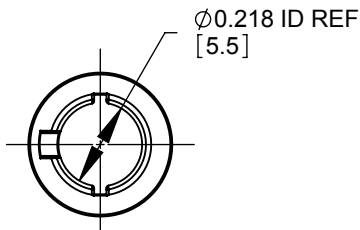
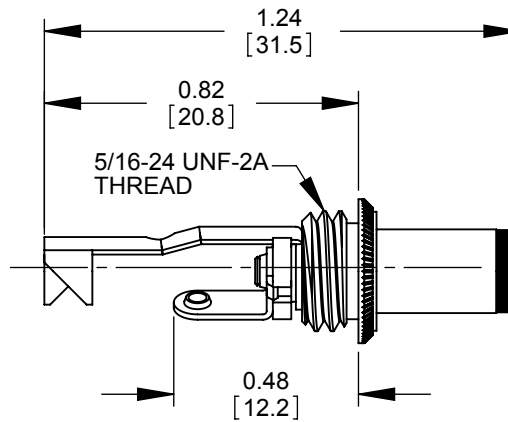
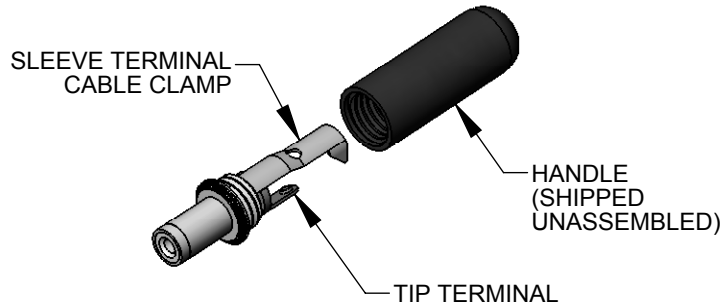


PART NUMBER	HANDLE COLOR
S760	BLACK
S765	RED



NOTES:

- MATERIALS:
 CONDUCTORS - BRASS, NICKEL PLATED
 TERMINALS - BRASS, TIN PLATED
 INSULATORS, HANDLE - THERMOPLASTIC

2. THIS PRODUCT IS RoHS COMPLIANT

CUSTOMER DRAWING

THIS DRAWING DESCRIBES A DESIGN CONSIDERED PROPRIETARY IN NATURE, DEVELOPED AND MANUFACTURED BY SWITCHCRAFT INC. AND IS RELEASED ON A CONFIDENTIAL BASIS FOR IDENTIFICATION PURPOSES ONLY.

UNLESS OTHERWISE SPECIFIED

- ALL DIMENSIONS IN INCHES
 - TWO PLACE DECIMALS ±0.02
 - THREE PLACE DECIMALS ±0.005

SIZE *	WIDTH *	MULT *	LBS/M *	TEMPER *
FINISH *			MATERIAL *	
SPEC No. *			SPEC No. *	
FIRST USED ON *		SCALE 2:1		
DATE DRAWN	BY	CHKD	APVD	
3-24-92	LR	EB	EB	
		3-24-92	3-24-92	
NAME			PART No.	REV
Ø 0.08 [2]mm x 0.374 LONG POWER PLUG, RoHS			S760-S765	E

Switchcraft®

SHEET 1 OF 1

DO NOT SCALE DRAWING

SolidWorks CAD File



REV	ECO NUMBER	DATE	BY	APVD
E	25989	11-13-08	JEB	TJK
REVISIONS				