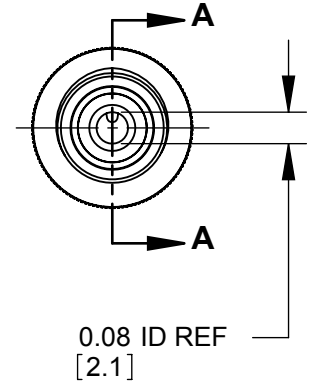
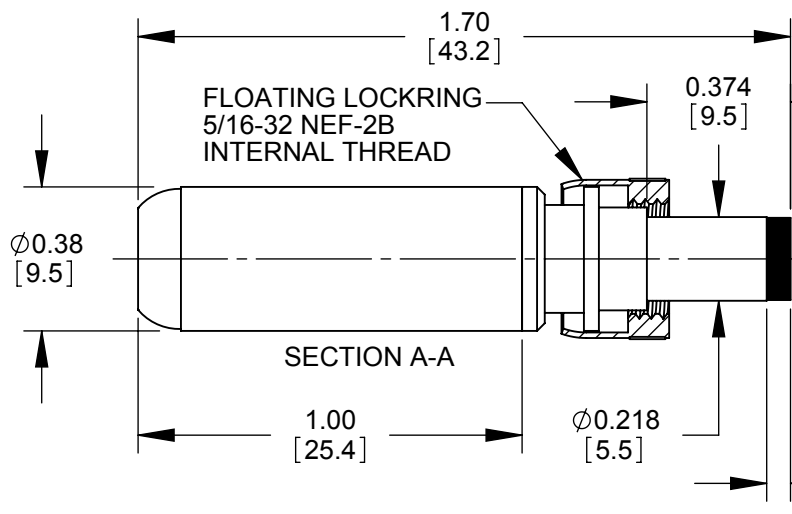
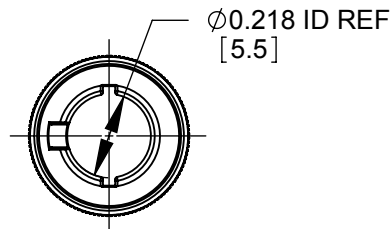


PART NUMBER	HANDLE COLOR
S760K	BLACK
S765K	RED



NOTES:

- MATERIALS:  
 CONDUCTORS, LOCKRING - BRASS, NICKEL PLATED  
 TERMINALS - BRASS, TIN PLATED  
 INSULATORS, HANDLE - THERMOPLASTIC
- THIS PRODUCT IS RoHS COMPLIANT

**CUSTOMER DRAWING**

					THIS DRAWING DESCRIBES A DESIGN CONSIDERED PROPRIETARY IN NATURE, DEVELOPED AND MANUFACTURED BY SWITCHCRAFT INC. AND IS RELEASED ON A CONFIDENTIAL BASIS FOR IDENTIFICATION PURPOSES ONLY.					
					SIZE *	WIDTH *	MULT *	LBS/M *	TEMPER *	
					FINISH *			MATERIAL *		
					SPEC No. *			SPEC No. *		
					FIRST USED ON *		SCALE 2:1			
C	25989	11-13-08	JEB	TJK	DATE DRAWN	BY	CHKD	APVD	<b>Switchcraft®</b>	
REV	ECO NUMBER	DATE	BY	APVD	3-31-09	JEB	JEB	TJK		
REVISIONS					DO NOT SCALE DRAWING					
					NAME Ø 0.08 [2.0]mm x 0.374 LONG			PART No. S760K-S765K		REV C
					POWER PLUG W/LOCKRING, RoHS					

