

REVISION -
7-23-96 TS

REVISION A
REFORMATTED
08/14/96 TS

REVISION B
REFORMATTED
07/15/97 TS

REVISION C
CHANGED A.7.
08/20/99 TS

REVISION D
ADDED RoHS
01/12/06 MP

REVISION E
SAFETY UPDATED
FUSE INFO
ADDED
6-22-09 MP

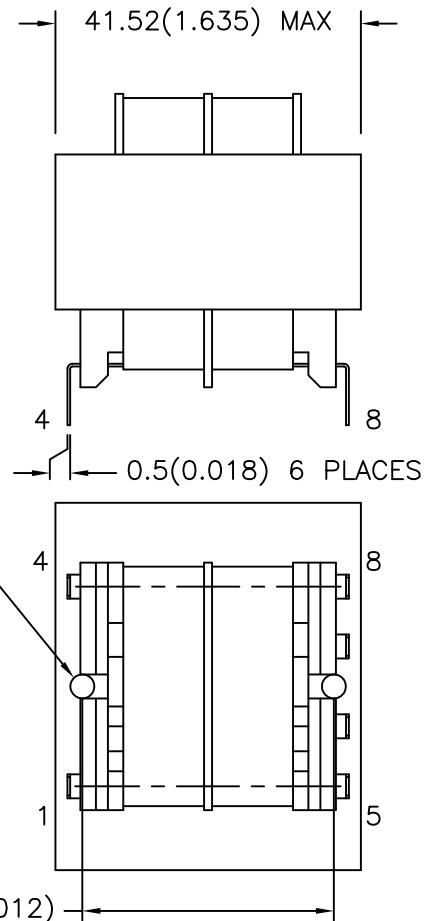
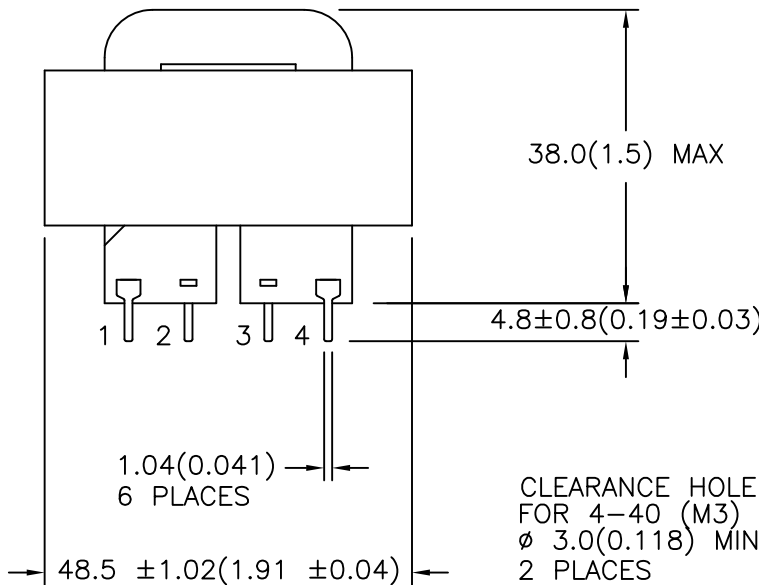
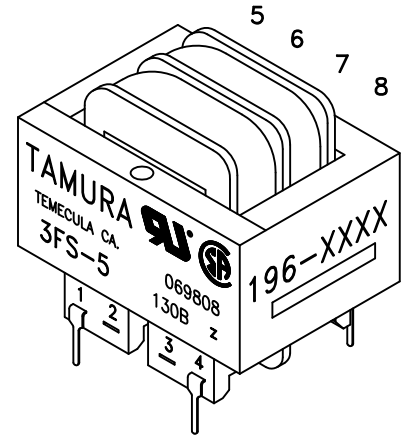
A. Electrical Specifications (@ 25°C)

1. Maximum Power: 12.0 VA
2. Input Voltage and Frequency: 115V 50/60 Hz
3. Secondary Voltage: See Table A
4. Voltage Regulation: 19% TYP @ full load to no load
5. Temperature Rise: 45°C TYP (50°C MAX allowed)
6. Insulation Resistance:
100 MΩ MIN @ 500VDC, Pri to Sec, Pri to Core
100 MΩ MIN @ 500VDC, Sec to Core
7. Hi-Pot: 2500 Vrms 1 minute @ Pri to Sec
1500 Vrms 1 minute @ Pri to Core
1500 Vrms 1 minute @ Sec to Core
500 Vrms 1 minute @ Sec to Sec

B. Marking: TAMURA, Tamura part number (see sheet 2), MICROTRAN, Microtran part number (see sheet 2), date code, country of origin, safety logos and input and output ratings

C. Safety:
Insulation Class B (130°C) File No. E92957
CSA 22.2 No. 66-1988, File No. 069808.
UL 1585, Class 2 or 3, Noninherently limited,
File No. E95844.
UL 506, General Purpose, File No. E91239

D. Mechanical Specifications:



PREPARED BY:

E. BRINER

ENGINEER:

M. PITCHAI

SAFETY ENGINEER

B.O.

APPROVED:

T. BROOKS

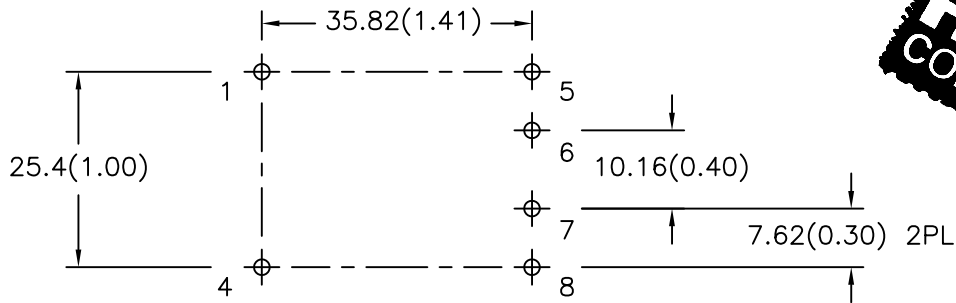
DRAWING CONTROL NO.	REV
P-A1-11648	E
CONTENTS OF THIS DRAWING ARE SUBJECT TO CHANGE WITHOUT PRIOR NOTICE	

MODEL DESCRIPTION
SIZE 5 3FS & PSS FAMILY POWER TRANSFORMER
TAMURA CORPORATION OF AMERICA
1040 SOUTH ANDREASEN DRIVE, #100 ESCONDIDO, CA. 92029 (951) 699-1270 FAX 7607400536

MODEL SPECIFICATION
3FS-5XX & PSS5-XX
DIM: mm[In] SCL: NONE SH: 1 OF 2

PROPRIETARY NOTICE: THIS DRAWING PRINT OR DOCUMENT AND SUBJECT MATTER DISCLOSED HEREIN ARE PROPRIETARY ITEMS TO WHICH TAMURA RETAINS THE EXCLUSIVE RIGHT OF DISSEMINATION, REPRODUCTION, MANUFACTURE AND SALE. THIS DRAWING, PRINT OR DOCUMENT IS SUBMITTED IN CONFIDENCE FOR CONSIDERATION BY THE RECIPIENT ALONE UNLESS PERMISSION FOR FURTHER DISCLOSURE IS EXPRESSLY GRANTED IN WRITING.

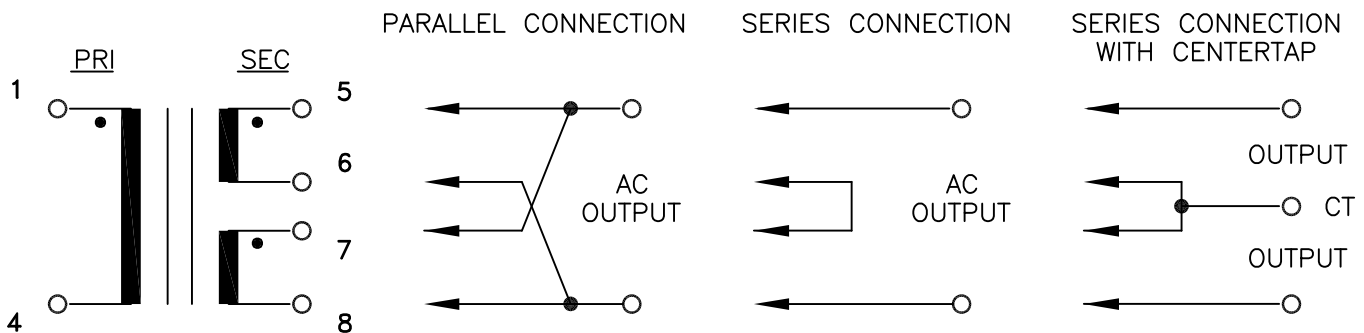
E. Mounting Footprint:



MODEL NUMBER

3FS-5XX & PSS5-XX

F. Schematic Diagram:



*not UL-recognized for series connect.

G. Table A: (NOTE: All parts are dual marked with both part numbers). UL Approved Fuse.

TAMURA PART NO.	MICROTRAN PART NO.	PARALLEL		SERIES		SERIES WITH CT		SECONDARY FUSE REQUIRED EACH WINDING
		AC VOLTS	RMS AMPS	AC VOLTS	RMS AMPS	AC VOLTS	RMS AMPS	
3FS-510	PSS5-10	5.0	2.4	10.0	1.2	5.0-CT-5.0	1.2	1.50A
3FS-512	PSS5-12	6.3	2.0	12.6	1.0	6.3-CT-6.3	1.0	1.25A
3FS-516	PSS5-16	8.0	1.6	16.0	0.8	8.0-CT-8.0	0.8	1.0A
3FS-520	PSS5-20	10.0	1.2	20.0	0.6	10.0-CT-10.0	0.6	0.75A
3FS-524	PSS5-24	12.0	1.0	24.0	0.5	12.0-CT-12.0	0.5	0.60A
3FS-528	PSS5-28	14.0	0.84	28.0	0.42	14.0-CT-14.0	0.42	0.50A
3FS-536	PSS5-36	18.0	0.7	36.0	0.35	18.0-CT-18.0	0.35	0.50A
3FS-548	PSS5-48	24.0	0.5	48.0	0.25	24.0-CT-24.0	0.25	0.315A
3FS-556	PSS5-56	28.0	0.44	56.0	0.22	28.0-CT-28.0	0.22	0.30A
3FS-5120	PSS5-120	60.0	0.2	120.0*	0.1	60.0-CT-60.0	0.1	N/A

PREPARED BY:

E. BRINER

ENGINEER:

M. PITCHAI

SAFETY ENGINEER

B.O.

APPROVED:

T. BROOKS

DRAWING CONTROL NO.

P-A1-11648

REV

E

MODEL DESCRIPTION
SIZE 5 3FS & PSS FAMILY
POWER TRANSFORMER

TAMURA CORPORATION OF AMERICA

1040 SOUTH ANDREASEN DRIVE, #100 ESCONDIDO, CA. 92029
(951) 699-1270 FAX 7607400536

MODEL SPECIFICATION

3FS-5XX & PSS5-XX

DIM: mm[In] SCL: NONE SH: 2 OF 2

PROPRIETARY NOTICE: THIS DRAWING PRINT OR DOCUMENT AND SUBJECT MATTER DISCLOSED HEREIN ARE PROPRIETARY ITEMS TO WHICH TAMURA RETAINS THE EXCLUSIVE RIGHT OF DISSEMINATION, REPRODUCTION, MANUFACTURE AND SALE. THIS DRAWING, PRINT OR DOCUMENT IS SUBMITTED IN CONFIDENCE FOR CONSIDERATION BY THE RECIPIENT ALONE UNLESS PERMISSION FOR FURTHER DISCLOSURE IS EXPRESSLY GRANTED IN WRITING.