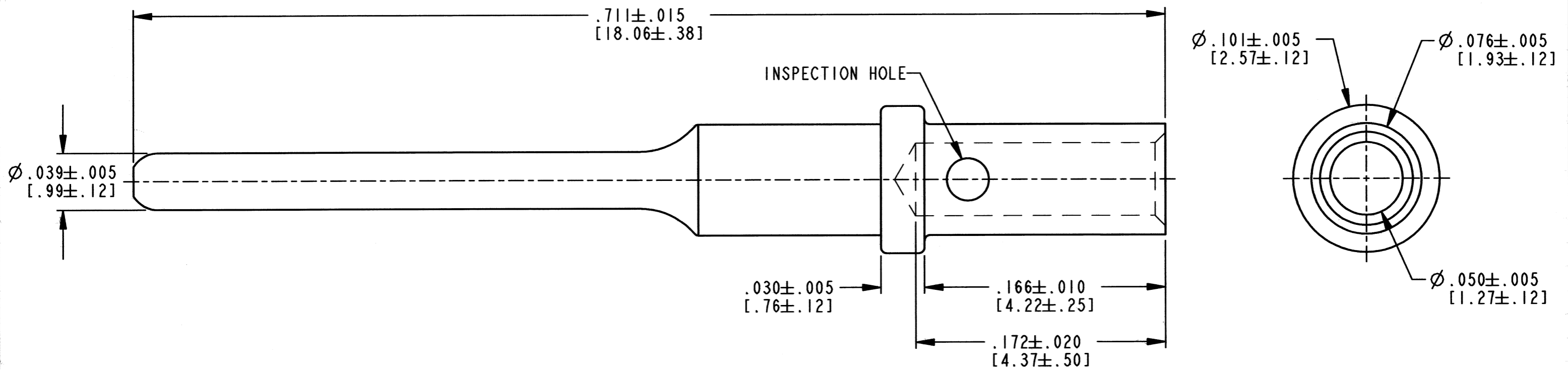


REV
C 0460-202-20**

REVISIONS			
SYM	DESCRIPTION	DATE	APPROVED
NC	NEW RELEASE PER E.O. P15506	12-23-97	R.D.R.
A	REVISED PER E.O. P15641	5-14-98	R.D.R.
B	REVISED PER E.O. P15996	5-25-99	R.D.R.
C	REVISED PER E.O. P21214	12-2-11	<i>RDR</i>



4. FOR CONTACT PERFORMANCE AND APPLICATION CHARACTERISTICS SEE DRAWING 0425-015-0000.
3. FOR CRIMPING INFORMATION SEE DRAWING 0425-205-0000.
2. WHEN ** = 31: GOLD OVER NICKEL OVER COPPER
 WHEN ** = 141: NICKEL OVER COPPER
 WHEN ** = 309: TIN OVER NICKEL OVER COPPER
1. DIMENSIONS ARE IN INCHES [mm]

NOTES: UNLESS OTHERWISE SPECIFIED

SIGNATURE & DATE	
DR	<i>D. MEYER</i> 12/18/97
CHK	<i>D. Meyer</i> 12/2/97
PE	<i>D. Meyer</i> 12/2/97
APPD	<i>R. Reed</i> 12-5-11
SCALE	15:1 WT _____

CONTACT PIN
SIZE 20

ENVELOPE

EP	MATL. CODE
3850 INDUSTRIAL AVE. HEMET, CA 92545	
B 0460-202-20**	
DWG SIZE	CODE 11139 SHEET OF

