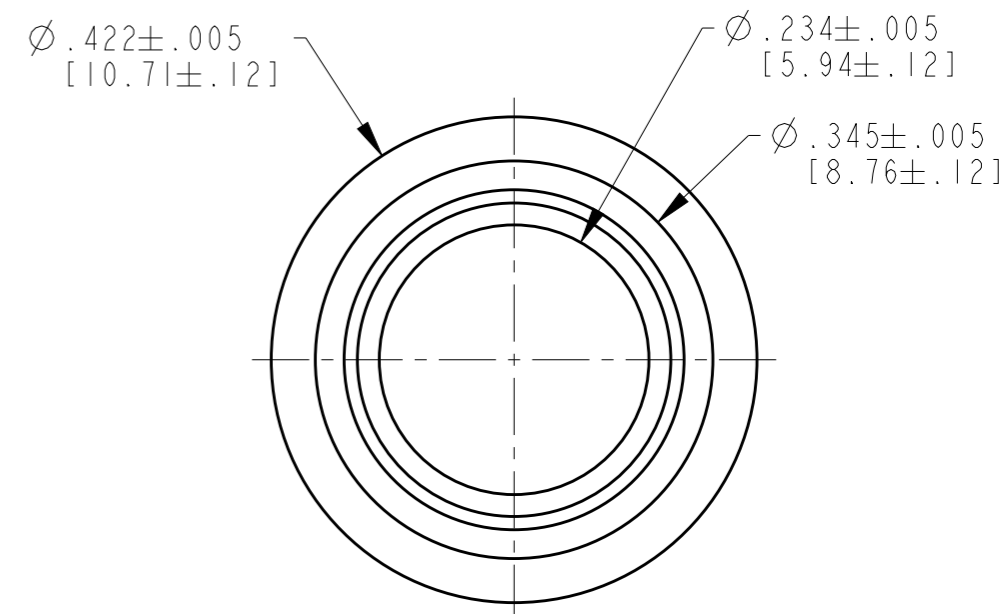
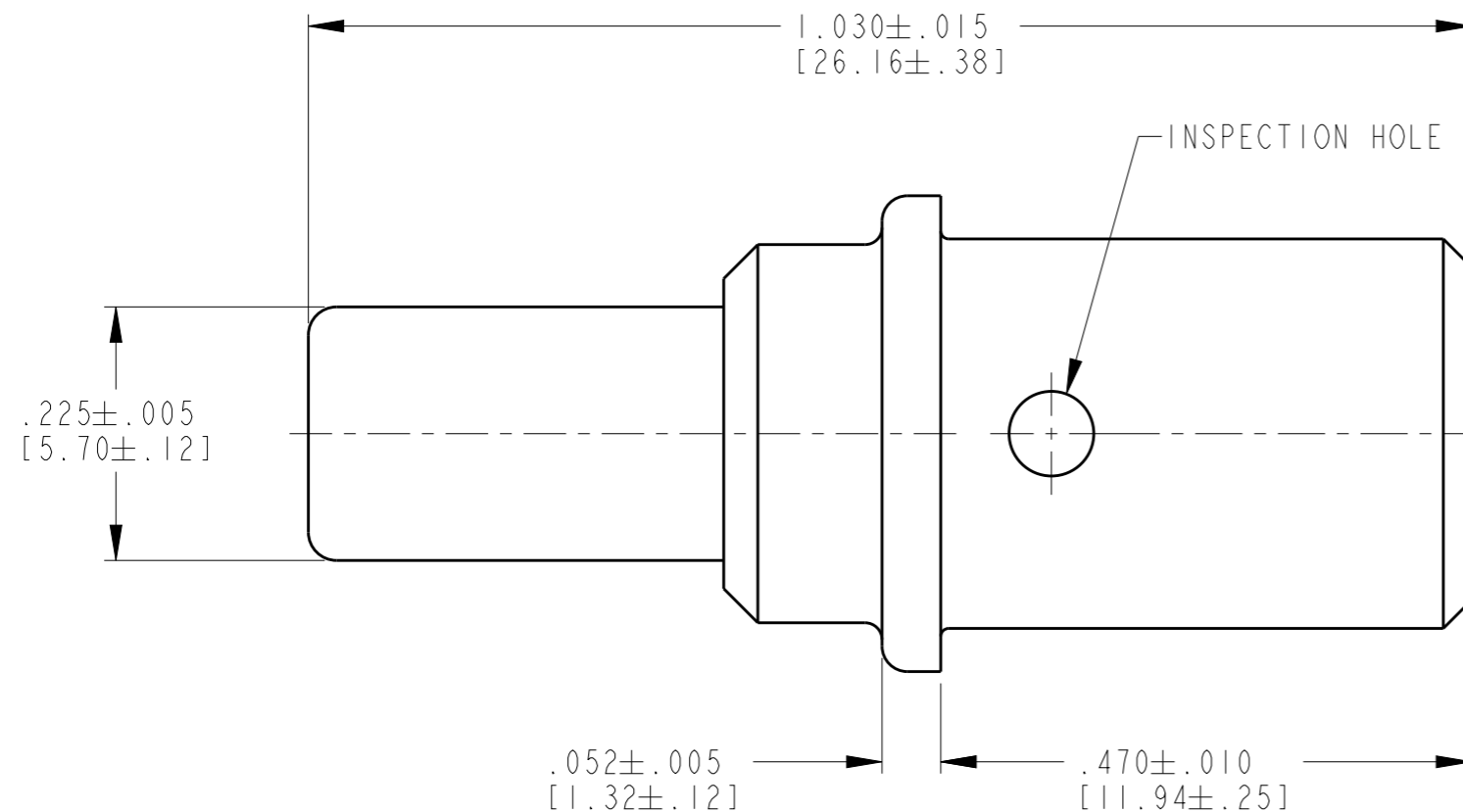


THIS DRAWING IS UNPUBLISHED RELEASED FOR PUBLICATION 2017

© COPYRIGHT 1987 BY TE CONNECTIVITY ALL RIGHTS RESERVED.

REVISIONS


P	LTR	DESCRIPTION	DATE	DWN	APVD
	A1	REVISED PER PCN E-17-016249	03NOV2017	JA	DM



- 3. FOR CONTACT PERFORMANCE AND APPLICATION CHARACTERISTICS SEE DRAWING 0425-015-0000.
- 2. THIS CONTACT MAY BE CRIMPED WITH HDP-400 POWER CRIMPER OR HDT-04-08 HAND TOOL. SEE DRAWING 0425-205-0000 FOR APPLICABLE WIRE SIZE AND CRIMP INFORMATION.
- 1. WHEN XX = 90 OR 141: PLATING IS NICKEL.

NOTES: UNLESS OTHERWISE SPECIFIED

TE INTERNAL PN	DEUTSCH PN
0460-204-0490	0460-204-04141

THIS DRAWING IS A CONTROLLED DOCUMENT.		DWN D. MEYER 29NOV2000	 TE Connectivity	
DIMENSIONS: INCHES [mm]		CHK B. BYFORD 18DEC2000		
TOLERANCES UNLESS OTHERWISE SPECIFIED:		APVD R. REED 19DEC2000	NAME CONTACT PIN SIZE 4	
0 PLC ± 1 PLC ± 2 PLC ± 3 PLC ±.025 4 PLC ± ANGLES ±0° 30' 0"		PRODUCT SPEC 0425-015-0000	SIZE A3	
MATERIAL		APPLICATION SPEC 0425-205-0000	CAGE CODE 4AFU8	DRAWING NO 0460-204-04XX
FINISH		WEIGHT 8.33g	RESTRICTED TO	
		CUSTOMER DRAWING	SCALE 6:1	SHEET 1 OF 1
			REV A1	