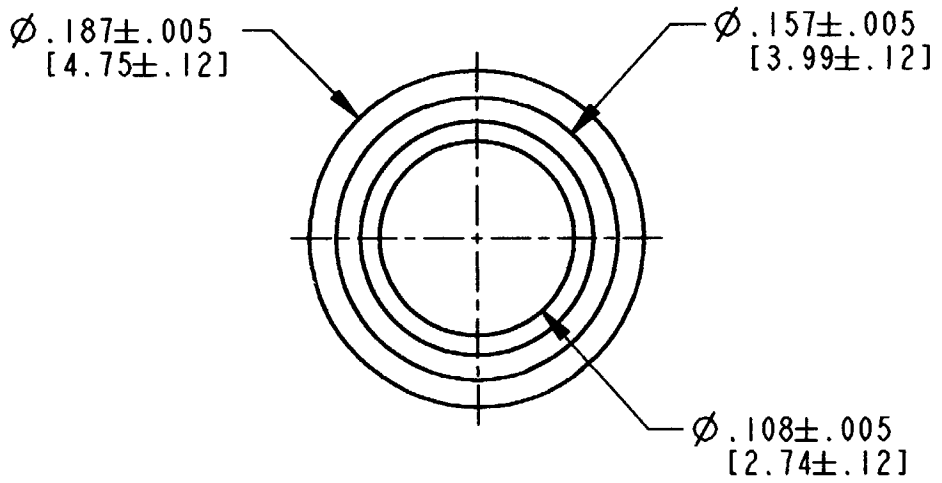
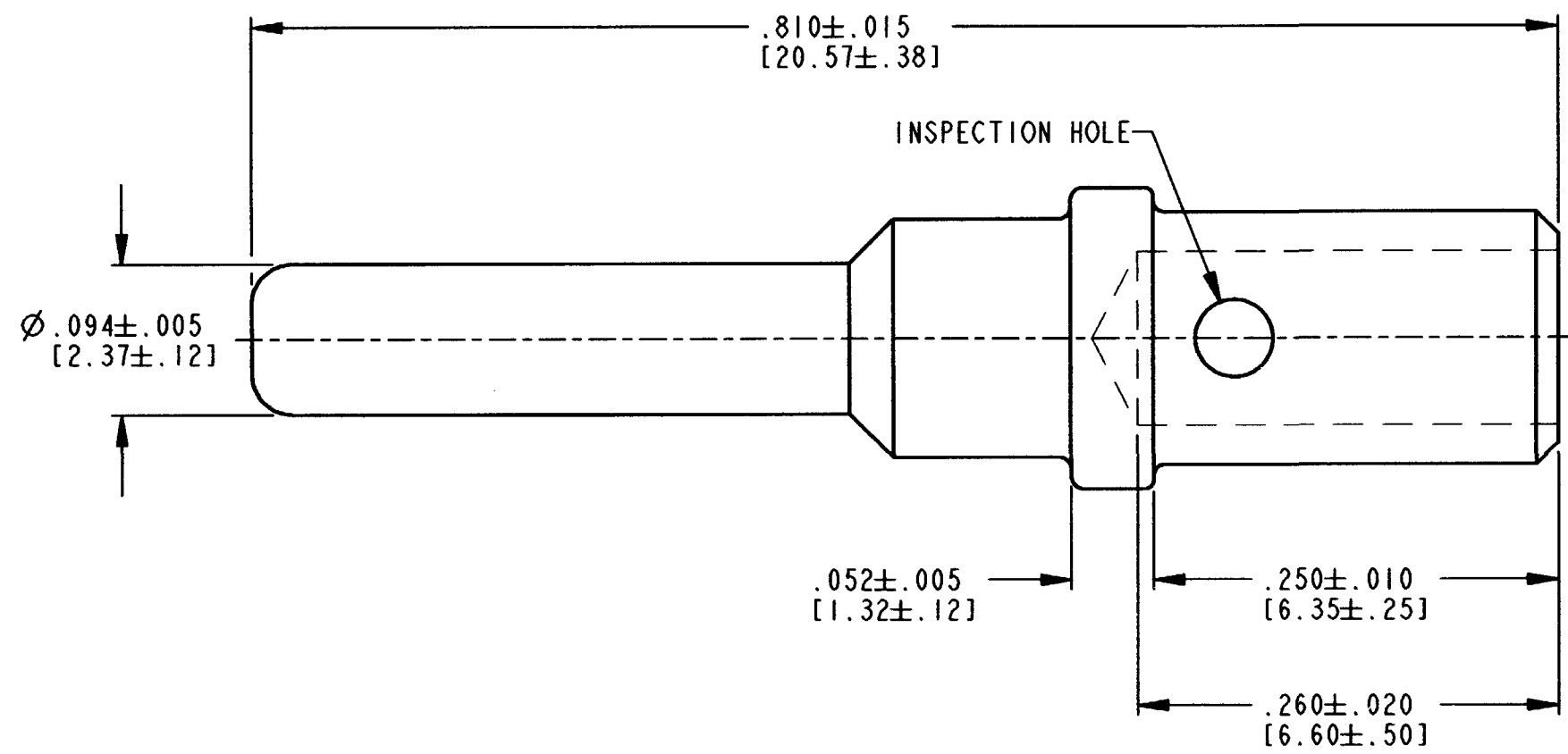


REV
NC 0460-204-12**

REVISIONS			
SYM	DESCRIPTION	DATE	APPROVED
NC	NEW RELEASE PER E.O. P18855	3-14-05	RDR



- NOTES:
1. DIMENSIONS ARE IN INCHES [mm].
 2. WHEN ** = 141: PLATING IS NICKEL.
 3. FOR CRIMPING INFORMATION SEE DRAWING 0425-205-0000.
 4. FOR CONTACT PERFORMANCE AND APPLICATION CHARACTERISTICS SEE DRAWING 0425-015-0000.

SIGNATURE & DATE	
DR	J. APOSTOL 08MAR2005
CHK	R. B. [Signature] 3/14/05
PE	D. Meyer 3/8/05
APPD	R. Reed 3-14-05
SCALE	NONE
WT	

CONTACT PIN
SIZE 12

ENVELOPE

CP	MATL CODE
The Deutch Company DEUTSCH I.P.D. 3850 INDUSTRIAL AVE. HEMET, CALIF. 92545	
B	0460-204-12**
DWG SIZE	CODE 11139 SHEET OF