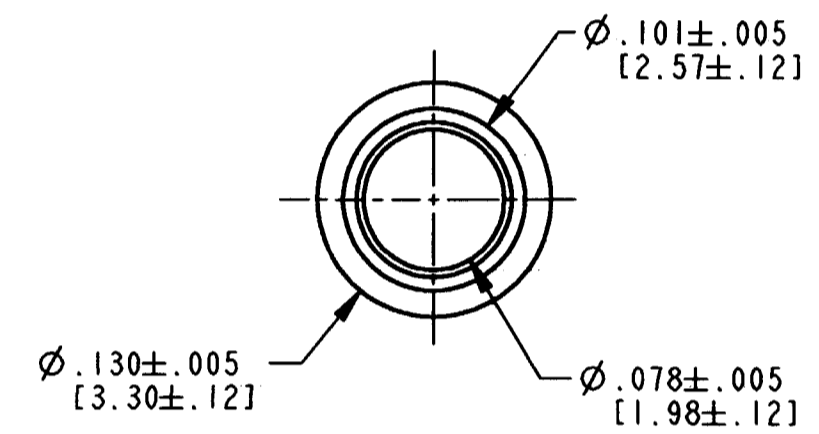
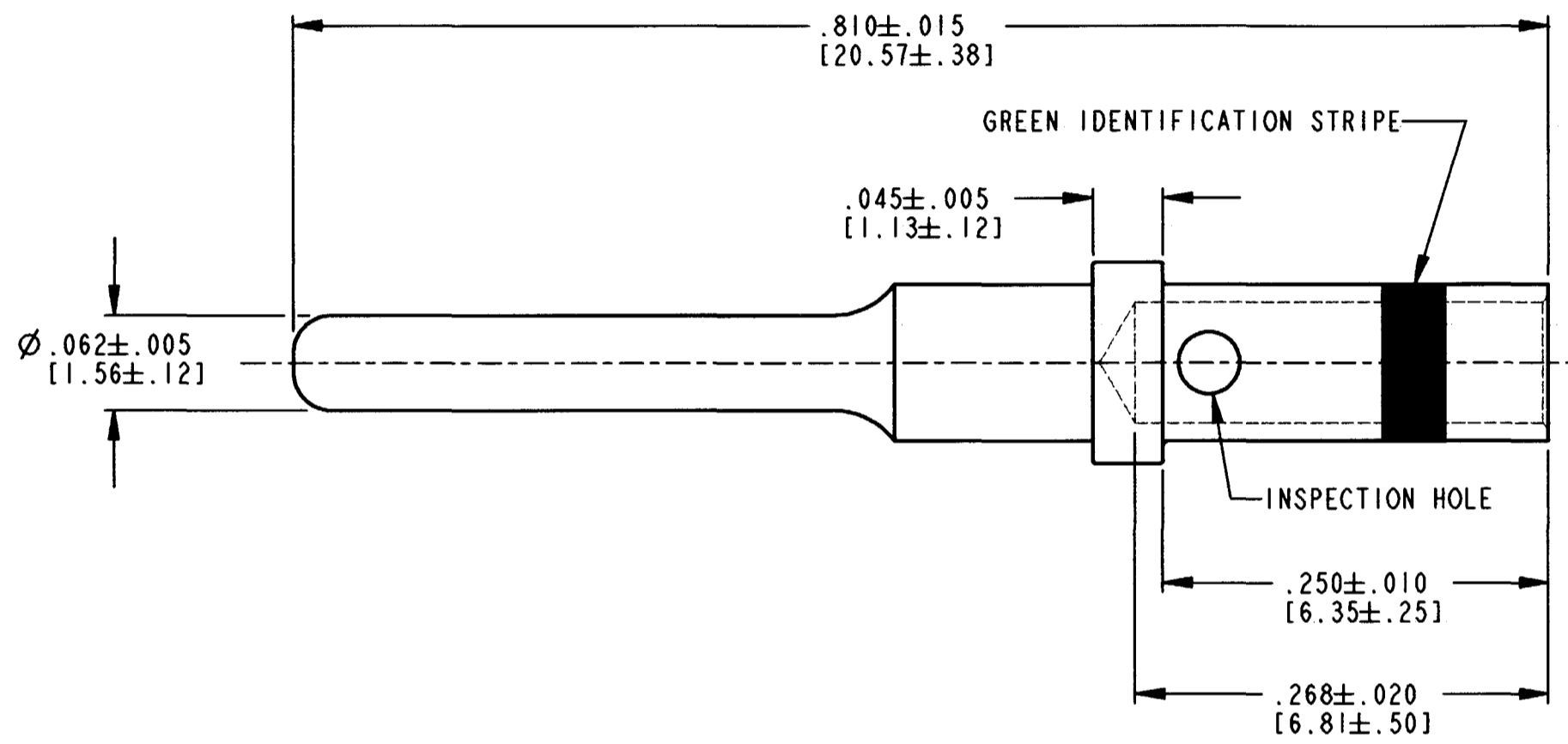


REV  
D **0460-215-16\*\***

REVISIONS			
SYM	DESCRIPTION	DATE	APPROVED
A	REVISED PER E.O. A 14776	2/6/95	RDR
B	REVISED PER E.O. P15649	6/16/98	RDR
C	REVISED PER E.O. P16308	10/04/99	RDR
D	REVISED PER E.O. P16742	6-23-00	RDR



- 4. FOR CONTACT PERFORMANCE AND APPLICATION INFORMATION SEE DWG. NO. 0425-015-0000.
- 3. WHEN \*\* = 31, PLATING IS GOLD OVER NICKEL  
\*\* = 141, PLATING IS NICKEL.
- 2. DIMENSIONS ARE IN INCHES [mm].

NOTES: 1. FOR CRIMPING INFORMATION SEE DRAWING 0425-205-0000.

SIGNATURE & DATE	
DR	D. SPENCER 02OCT99
CHK	<i>[Signature]</i> 6/23/01
PE	<i>[Signature]</i> 6/23/00
APPD	<i>[Signature]</i> 6/23/00
SCALE	NONE

CONTACT, PIN  
SIZE 16  
14 AWG WIRE  
[ $2.00 \text{mm}^2$ ]  
ENVELOPE

CP	MATL. CODE
<b>The Deutsch Company</b> DEUTSCH I.P.D. 3850 INDUSTRIAL AVE. HEMET, CALIF. 92545	
<b>B</b>	<b>0460-215-16**</b>
DWG SIZE	CODE 11139 SHEET 1 OF 1