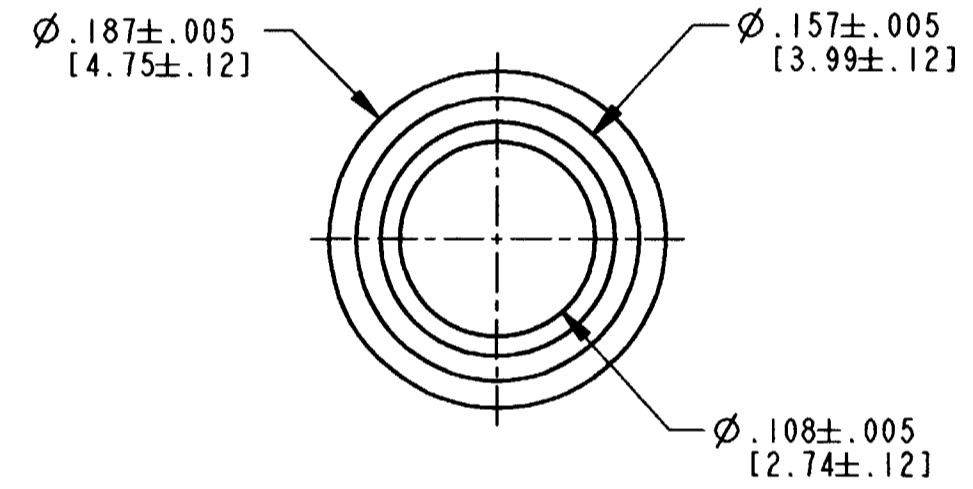
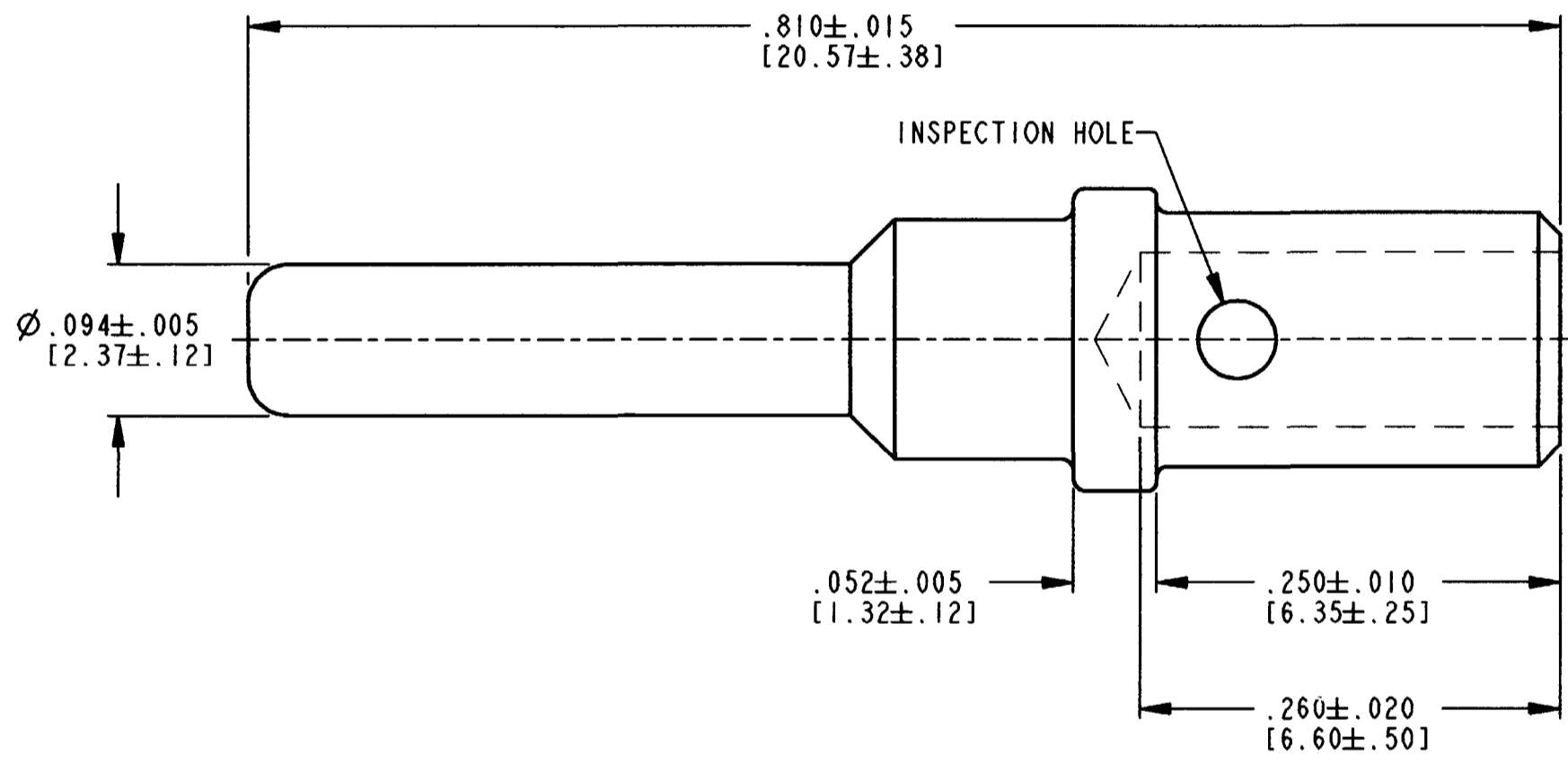


REV
B 0460-220-12**

REVISIONS			
SYM	DESCRIPTION	DATE	APPROVED
NC	NEW RELEASE PER E.O. 1399	4-12-84	J.A.
A	REDRAWN PER E.O. A13667	3-16-93	J.A.
B	REVISED & REDRAWN PER E.O. P18855	3-14-05	RDR



- NOTES:
4. FOR CONTACT PERFORMANCE AND APPLICATION CHARACTERISTICS SEE DRAWING 0425-015-0000.
 3. FOR CRIMPING INFORMATION SEE DRAWING 0425-205-0000.
 2. WHEN ** = 31: PLATING IS GOLD OVER NICKEL.
 1. DIMENSIONS ARE IN INCHES [mm].

SIGNATURE & DATE		CONTACT PIN SIZE 12	CP	MATL. CODE	
DR	J. APOSTOL 04MAR2005		The Deutch Company DEUTSCH I.P.D. 3850 INDUSTRIAL AVE. HEMET, CALIF. 92545		
CHK	B. Byler 3/14/05	ENVELOPE	B 0460-220-12**		
PE	D. Meyer 3/8/05		DWG SIZE	CODE 11139	SHEET OF
APPD	A. Reed 3-14-05				
SCALE	NONE	WT			