

LOC	DIST	REVISIONS					
-	-	P	LTR	DESCRIPTION	DATE	DWN	APVD
			1	NEW DRAWING	19JUN2013	RS	EC

**SAFETY ORGANIZATIONS**

THIS FILTER HAS BEEN DESIGNED TO THE FOLLOWING STANDARDS, BUT HAS NOT YET BEEN FORMALLY RECOGNIZED, CERTIFIED OR APPROVED BY THE LISTED AGENCIES. ALL TEST REQUIREMENTS SPECIFIED IN THE LATEST REVISION OF THE FOLLOWING AGENCY STANDARDS WILL BE MET:

**OPERATING SPECIFICATIONS**

LINE CURRENT/VOLTAGE: 1000 A, 520 VAC  
 LINE FREQUENCY: 50-60 Hz  
 NOMINAL LEAKAGE CURRENT: 6 mA  
 MAXIMUM LEAKAGE CURRENT: 222 mA @ 277 V, 50 Hz  
 OPERATING AMBIENT TEMPERATURE RANGE @ RATED CURRENT, I : -10°C TO +50°C

AT AMBIENT TEMPERATURE, T , ABOVE MAX RATED I , THE MAXIMUM OPERATING CURRENT, I<sub>o</sub> , IS DETERMINED BY THIS EQUATION:

$$I_o = I_R \sqrt{\frac{100 - T_o}{50}}$$

**RELIABILITY SPECIFICATIONS**

STORAGE TEMPERATURE: -40°C TO +85°C  
 HUMIDITY: 21 DAYS @ 40°C AND 95% RH

**TEST SPECIFICATIONS**

INDUCTANCE: 36.8 μH NOMINAL  
 CAPACITANCE @ 1 kHz, 0.25 VAC MAX., 25°C ±1°C:  
 LINE TO GROUND: 2.62 μF  
 LINE TO LINE: 12.3 μF

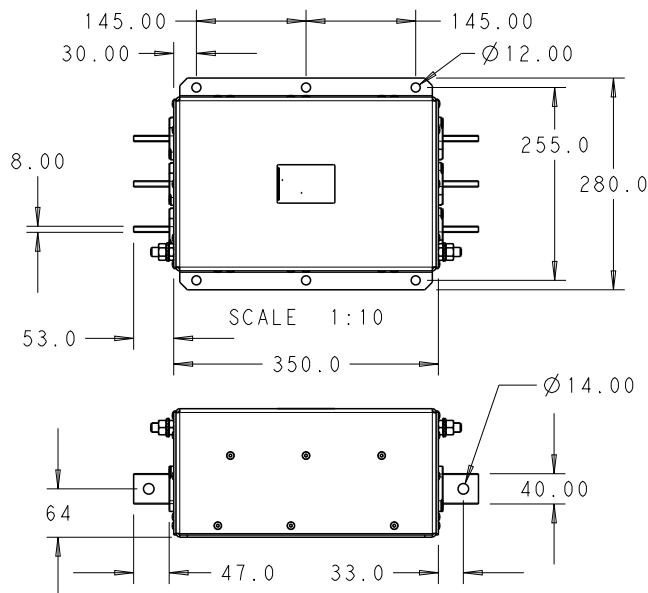
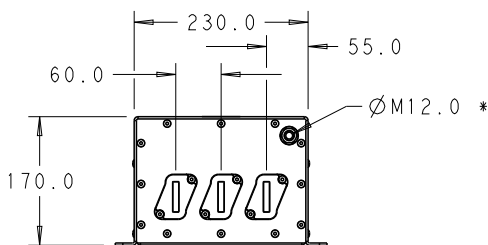
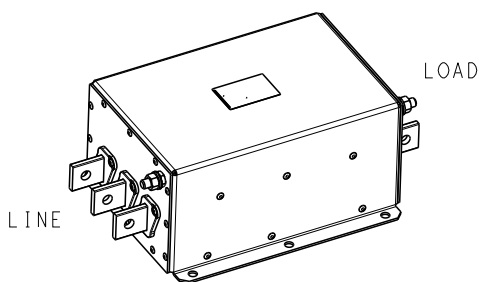
DISCHARGE RESISTOR  
 L-G AND L-L: 666kΩ / 666kΩ  
 IR, L/L @ 20°C, 50% RH: 6000MΩ (MIN.) @100VDC

**RECOMMENDED RECEIVING INSPECTION HIPOT**

LINE TO GROUND: 2200 VDC FOR 1 MINUTE  
 LINE TO LINE: 2160 VDC FOR 1 MINUTE

**FILTER APPROVAL:**

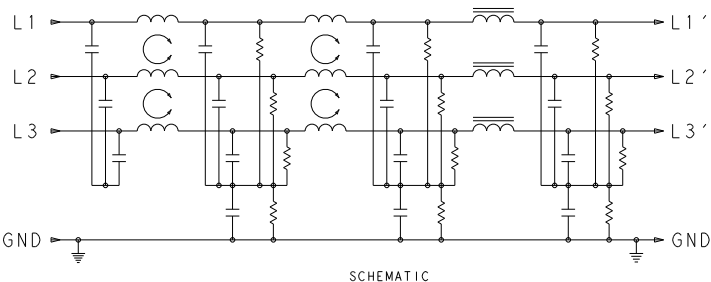
THE BEST WAY TO SELECT AND QUALIFY A FILTER IS FOR YOUR ENGINEERING TO TEST THE UNIT IN YOUR EQUIPMENT.



\* DO NOT LOOSEN INNER GROUND NUTS. TORQUE OUTER GROUND NUTS TO: 25-30 NM [220-260 IN-LB]

TYPICAL INSERTION LOSS  
 COMMON MODE 50/50 Ω; DIFFERENTIAL MODE 100/100 Ω

MHz	0.01	0.05	0.15	0.5	1.0	3.0	5.0	10	30
CM	12	13	56	71	67	49	45	37	18
DM	32	46	60	62	58	46	41	35	27



THIS DRAWING IS UNPUBLISHED. BY - ALL RIGHTS RESERVED. 20 RELEASED FOR PUBLICATION

DIMENSIONS: mm	DWN RS 19JUN2013	MATERIAL	FINISH
TOLERANCES UNLESS OTHERWISE SPECIFIED:	CHK EC 19JUN2013	TE Connectivity	
0 PLC ±2.0 1 PLC ±0.1 2 PLC ±0.01 3 PLC ±0.005 4 PLC ±0.0001 ANGLES ±-	APVD EC 19JUN2013		
	PRODUCT SPEC	NAME 1000ACPV12 3-PHASE DELTA FILTER	
	APPLICATION SPEC	SIZE	RESTRICTED TO
	WEIGHT	CAGE CODE	DRAWING NO
	Customer Drawing	A 400779	G-8-1609148-5-25
		SCALE	SHEET OF REV
		1:1	1 OF 1 REV 1