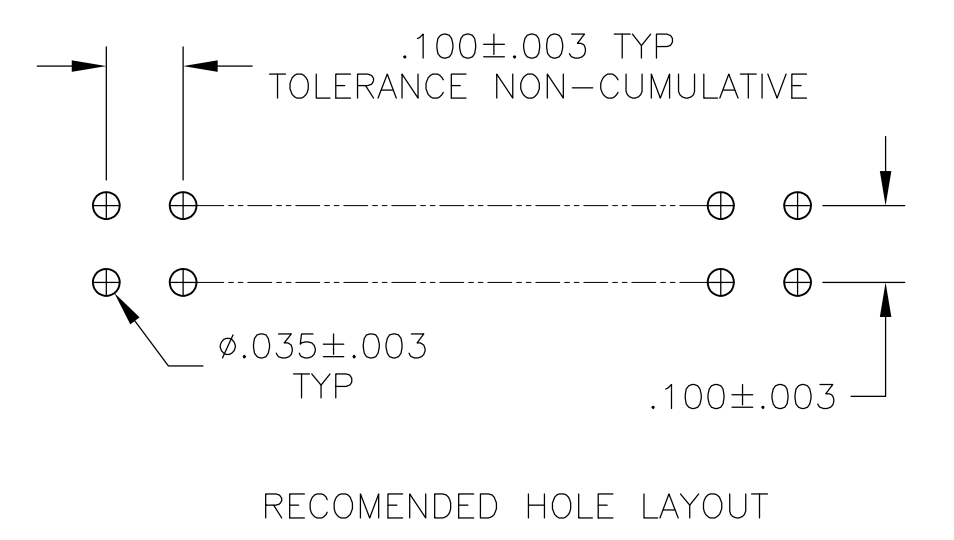
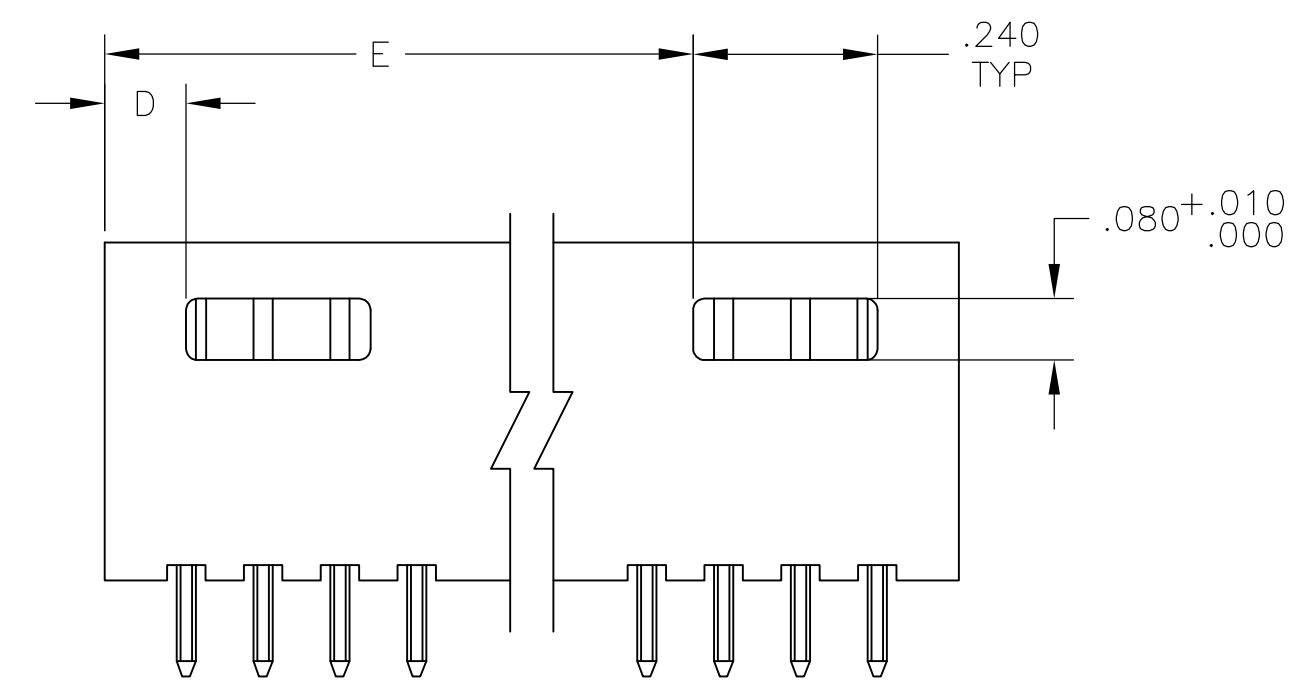
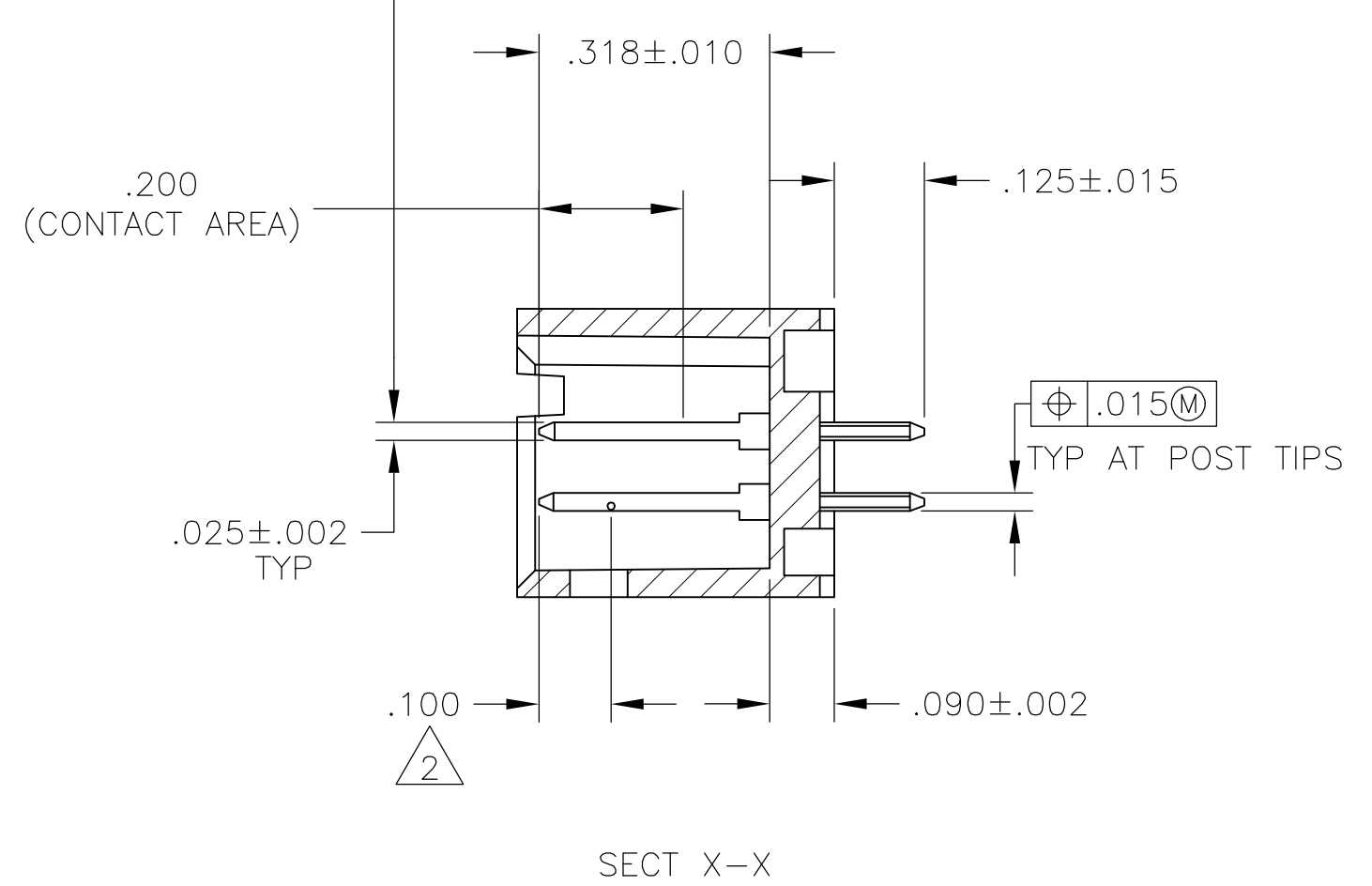
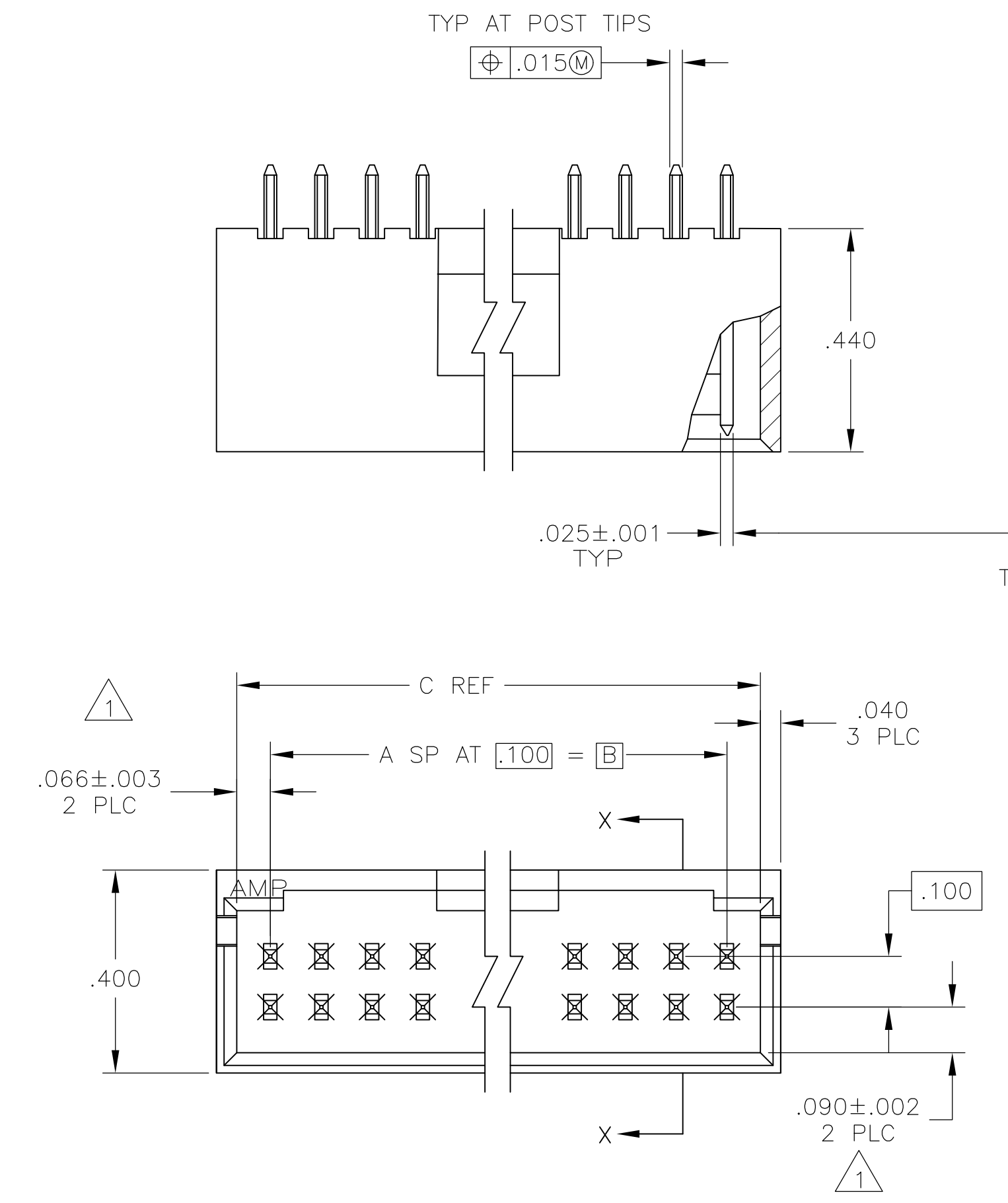


LOC		DIST		REVISIONS			
AD	00	REV	DATE	BY	CHK	APPV	REV
L2	REVISED	PER	ECO-11-004587				11MAR11

- 1 THE NOTED DIMENSIONS APPLY AT THE INTERSECTION OF THE POST AND HOUSING
- 2 POINT OF MEASUREMENT FOR PLATING THICKNESS
- 3 FINISH: POSTS:.000015 GOLD IN CONTACT AREA, .000100-.000200 MATTE TIN-LEAD ON SOLDER TAIL, ALL OVER .000050 NICKEL
- 4 FINISH: POSTS:.000015 GOLD IN CONTACT AREA, .000100-.000200 MATTE TIN ON SOLDER TAIL, ALL OVER .000050 NICKEL
- 5 MATERIALS: HOUSING- FLAME RETARDANT THERMOPLASTIC, COLOR-BLACK  
POSTS- PHOS BRONZE
- 6 OBSOLETE PARTS: OBSOLETE CIS STREAMLINING PER D.RENAUD/D.SINISI



REV	DATE	BY	CHK	APPV	REV	DATE	BY	CHK	APPV	
8	102618-5				3.506	.106	3.732	3.600	36	74
8	102618-4				3.406	.106	3.632	3.500	35	72
8	102618-3				3.306	.106	3.532	3.400	34	70
8	102618-2				3.206	.106	3.432	3.300	33	68
8	102618-1				3.106	.106	3.332	3.200	32	66
8	102618-0				3.006	.106	3.232	3.100	31	64
7	102618-9				2.906	.106	3.132	3.000	30	62
7	102618-8				2.806	.106	3.032	2.900	29	60
7	102618-7				2.706	.106	2.932	2.800	28	58
7	102618-6				2.606	.106	2.832	2.700	27	56
7	102618-5				2.506	.106	2.732	2.600	26	54
7	102618-4				2.406	.106	2.632	2.500	25	52
7	102618-3				2.306	.106	2.532	2.400	24	50
7	102618-2				2.206	.106	2.432	2.300	23	48
7	102618-1				2.106	.106	2.332	2.200	22	46
7	102618-0				2.006	.106	2.232	2.100	21	44
6	102618-9				1.906	.106	2.132	2.000	20	42
6	102618-8				1.806	.106	2.032	1.900	19	40
6	102618-7				1.706	.106	1.932	1.800	18	38
6	102618-6				1.606	.106	1.832	1.700	17	36
6	102618-5				1.506	.106	1.732	1.600	16	34
6	102618-4				1.406	.106	1.632	1.500	15	32
6	102618-3				1.306	.106	1.532	1.400	14	30
6	102618-2				1.206	.106	1.432	1.300	13	28
6	102618-1				1.106	.106	1.332	1.200	12	26
6	102618-0				1.006	.106	1.232	1.100	11	24
5	102618-9				.906	.106	1.132	1.000	10	22
5	102618-8				.806	.106	1.032	.900	9	20
5	102618-7				---	.406	.932	.800	8	18
5	102618-6				---	.306	.832	.700	7	16
5	102618-5				---	.306	.732	.600	6	14
5	102618-4				---	.206	.632	.500	5	12
5	102618-3				---	.206	.532	.400	4	10
5	102618-2				---	.106	.432	.300	3	8
5	102618-1				---	.106	.332	.200	2	6
3	102618-5				3.506	.106	3.732	3.600	36	74
3	102618-4				3.406	.106	3.632	3.500	35	72
3	102618-3				3.306	.106	3.532	3.400	34	70
3	102618-2				3.206	.106	3.432	3.300	33	68
3	102618-1				3.106	.106	3.332	3.200	32	66
3	102618-0				3.006	.106	3.232	3.100	31	64
2	102618-9				2.906	.106	3.132	3.000	30	62
2	102618-8				2.806	.106	3.032	2.900	29	60
2	102618-7				2.706	.106	2.932	2.800	28	58
2	102618-6				2.606	.106	2.832	2.700	27	56
2	102618-5				2.506	.106	2.732	2.600	26	54
2	102618-4				2.406	.106	2.632	2.500	25	52
2	102618-3				2.306	.106	2.532	2.400	24	50
2	102618-2				2.206	.106	2.432	2.300	23	48
2	102618-1				2.106	.106	2.332	2.200	22	46
1	102618-0				2.006	.106	2.232	2.100	21	44
1	102618-9				1.906	.106	2.132	2.000	20	42
1	102618-8				1.806	.106	2.032	1.900	19	40
1	102618-7				1.706	.106	1.932	1.800	18	38
1	102618-6				1.606	.106	1.832	1.700	17	36
1	102618-5				1.506	.106	1.732	1.600	16	34
1	102618-4				1.406	.106	1.632	1.500	15	32
1	102618-3				1.306	.106	1.532	1.400	14	30
1	102618-2				1.206	.106	1.432	1.300	13	28
1	102618-1				1.106	.106	1.332	1.200	12	26
1	102618-0				1.006	.106	1.232	1.100	11	24
5-102618-9					.906	.106	1.132	1.000	10	22
5-102618-8					.806	.106	1.032	.900	9	20
5-102618-7					---	.406	.932	.800	8	18
5-102618-6					---	.306	.832	.700	7	16
5-102618-5					---	.306	.732	.600	6	14
5-102618-4					---	.206	.632	.500	5	12
5-102618-3					---	.206	.532	.400	4	10
5-102618-2					---	.106	.432	.300	3	8
5-102618-1					---	.106	.332	.200	2	6
PLATING	E	D	C	B	A	NO. OF POSN	ASSEMBLY PART NUMBER			

THIS DRAWING IS A CONTROLLED DOCUMENT.

APPROVED: LA MAYER, 4-9-87

DATE: 4-9-87

NAME: HDR ASSY, MOD II, SHROUDED, 4 SIDES, DBL ROW, VERTICAL, .100X.100 C/L, WITH .025 SQ POSTS

SIZE: A1, CODE: 00779, DRAWING NO: 102618

RESTRICTED CUSTOMER

SCALE: 4:1, SHEET: 1 OF 1, REV: L2