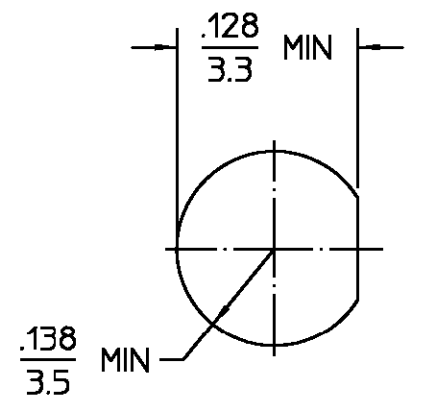


DESIGNED FOR USE WITH RG-196/U CABLE	
CABLE ENTRY DIAMETER MINIMUM	
FERRULE	.099
HOUSING	.036
CONTACT	.012

REVISIONS			
REV	DESCRIPTION	DATE	APPROVED
02 ₂	REVISED	3/24/71	[Signature]



RECOMMENDED MOUNTING HOLE

ELECTRICAL	MECHANICAL	ENVIRONMENTAL
Nominal Impedance (Ohms) <u>50</u>	Interface Dimensions Per <u>M/A-Com Catalog</u>	Vibration MIL-STD-202, Method 204, Condition D
Frequency Range (GHz) DC to <u>18.0</u>	Recommended Mating Torque <u>2 In-Lbs</u>	Shock MIL-STD-202, Method 213, Condition I
VSWR <u>1.15 +.01f(GHz)</u>	Mating Characteristics:	Thermal Shock MIL-STD-202, Method 107, Condition B, Except High Temp 200°C
Insertion Loss (dB MAX) <u>.08 √f(GHz)</u>	Insertion (MAX Lbs) <u>3.0</u>	Moisture Resistance MIL-STD-202, Method 106
RF Leakage (dB MIN) <u>-(100-f(GHz))</u>	Withdrawal (MIN Oz) <u>0.5</u>	Corrosion - MIL-STD-202, Method 101, Condition B, 5% salt spray
Corona, 70,000 Ft (VRMS MIN) <u>150</u>	Force to Engage and Disengage (In-Lbs MAX) <u>1.0</u>	
Dielectric Withstanding Voltage (VRMS MIN) @ Sea Level <u>500</u>	Center Contact Captivation	
Contact Resistance (Milliohms MAX)	Axial (Lbs) <u>N/A</u>	
Center Contact <u>3.5</u>	Radial (In-Oz) <u>N/A</u>	
Outer Contact <u>2.8</u>	Cable Retention	
RF High Potential @ Sea Level (VRMS MIN @ 5 MHz) <u>375</u>	Axial Force (Lbs) <u>10</u>	
I.R.(Megohms MIN) <u>5,000</u>	Torque (In-Oz) <u>N/A</u>	
	Weight (Grams) <u>TBD</u>	

COMPONENT	MATERIAL	FINISH
HOUSING MOUNTING NUT LOCKWASHER	STAINLESS STEEL PER ASTM-A484 AND ASTM-A582, TYPE 303	GOLD PLATE PER MIL-G-45204
DIELECTRIC	PTFE FLUOROCARBON PER ASTM-D-1457	N/A
CENTER CONTACT	BERYLLIUM COPPER PER ASTM-B-196 OR ASTM-B-197, ALLOY C17300, CONDITION H	GOLD PLATE PER MIL-G-45204
SHRINK TUBING	HEAT SHRINKABLE POLYOLEFIN COMPOUND MIL-I-23053/4	N/A
FERRULE	COPPER OR BRASS ALLOY ROCKWELL F65 MAXIMUM	GOLD PLATE PER MIL-G-45204

UNLESS OTHERWISE SPECIFIED DIMENSIONS ARE IN INCHES	DRAWN BY	EJC	DATE	8/31/71	AMP Incorporated 140 Fourth Avenue Waltham, MA 02451-7599
	CHECKED BY	PRB	8/31/71		
FRAC. ± 1/64	DEC. ± .005	ANGLES ± 1°	APPD BY	BWC	
USE ASSY PROCEDURE		TITLE		'OSMM' STRAIGHT CABLE JACK - CRIMP ATTACHMENT	
NO. AP. 40-005		SIZE	B	CODE IDENT NO.	26805
408-08253		SCALE	8:1		4034-7196-00
				REV	02 ₂
				SHEET 1 OF 1	