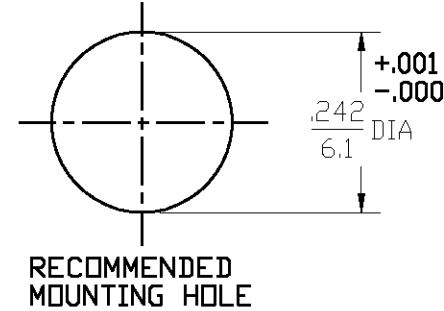


REVISIONS			
REV	DESCRIPTION	DATE	APPROVED
030	REVISED	11/13/95 MAD	JAD 02/14/95
B	REVISED PER ECN 0U20-0262-01	12/10/02 G.V.	JGH



DESIGNED FOR USE WITH .085 DIA SEMI-RIGID CABLE CABLE ENTRY DIAMETER MINIMUM	
HOUSING	.089
CONTACT	.0215

ELECTRICAL	MECHANICAL	ENVIRONMENTAL
NOMINAL IMPEDANCE (OHMS) <u>50 ± 1</u>	Interface Dimensions Per MIL-STD-348A Fig. 321.1	TEMPERATURE RATING <u>-65° TO +125°C</u>
Frequency Range (GHz) <u>DC to 22</u>	Mating Characteristics:	Vibration MIL-STD-202, Method 204, Condition D
Volt Rating (VRMS MAX) @ Sea Level <u>335</u>	Insertion (MAX Lbs) <u>N/A</u>	Shock MIL-STD-202, Method 213, Condition I
VSWR <u>1.05 ± .005 f(GHz)</u> DC to 18 GHz	Withdrawal (MIN Oz) <u>N/A</u>	Thermal Shock MIL-STD-202, Method 107, Condition B
<u>1.05 ± .009 f(GHz)</u> DC to 22 GHz	Force to Engage (In-Lbs MAX) <u>N/A</u>	Moisture Resistance MIL-STD-202, Method 106
Insertion Loss (dB MAX) <u>.03 x √f(GHz)</u>	& Disengage (In-Lbs MAX) <u>N/A</u>	Corrosion - MIL-STD-202, Method 101, Condition B
RF Leakage (dB MIN) (Interface Only, Fully Mated) <u>-[90-f(GHz)]</u>	Center Contact Captivation	
Corona, 70,000 Ft (VRMS MIN) <u>335</u>	Axial (Lbs) <u>6</u>	
Dielectric Withstanding Voltage (VRMS MIN) @ Sea Level <u>1000</u>	Cable Retention	
Contact Resistance (Milliohms MAX)	Axial Force (Lbs MIN) <u>30</u>	
Center Contact <u>2.0</u>	Torque (In-Oz MIN) <u>16</u>	
Outer Contact <u>2.0</u>	Weight (Grams) <u>2.7</u>	
Cable to Housing <u>0.5</u>		
RF High Potential @ Sea Level (VRMS MIN @ 5 MHz) <u>670</u>		
I.R. (Megohms MIN) <u>5000</u>		

COMPONENT	MATERIAL	FINISH
HOUSING MOUNTING NUT LOCKWASHER	STAINLESS STEEL PER ASTM-A484 AND ASTM-A582, TYPE 303	GOLD PLATE PER MIL-G-45204
DIELECTRIC	TFE FLUOROCARBON PER ASTM-D-1457	N/A
CENTER CONTACT	BERYLLIUM COPPER PER ASTM-B-196 OR ASTM-B-197 ALLOY C17300, CONDITION H	GOLD PLATE PER MIL-G-45204
O-RING	FLOUROSILICONE PER MIL-R-25988, CLASS I, TYPE I.	N/A

UNLESS OTHERWISE SPECIFIED DIMENSIONS ARE IN INCHES	DRAWN BY J.MCINNIS	DATE 11/16/82		<b>AMP Incorporated</b> 140 Fourth Avenue Waltham, MA 02451-7599
TOLERANCE ON	CHECKED BY R GIERAS	11/17/82		
FRAC. DEC. ANGLES	APPROVED BY RMF	11/18/82		
± 1/64 ±.005 ± 1°	USE ASS'Y PROCEDURE		TITLE OSP BULKHEAD FEEDTHROUGH CABLE PLUG DIRECT SOLDER ATTACHMENT	
These drawings and specifications are the property of M/A-COM Interconnect Division and shall not be reproduced or copied or used in whole or in part as the basis for the manufacture or sale of items without written permission.		408-08265 (45-012) NO. AP.	SIZE B CODE IDENT NO. 26805 SCALE 5:1	4503-7985-00 REV 030 SHEET 1 OF 1

.XXX = in  
XX.X = mm

CUSTOMER DRAWING

AMP PART # 1059404-1  
SHEET 1 OF 1 REV B