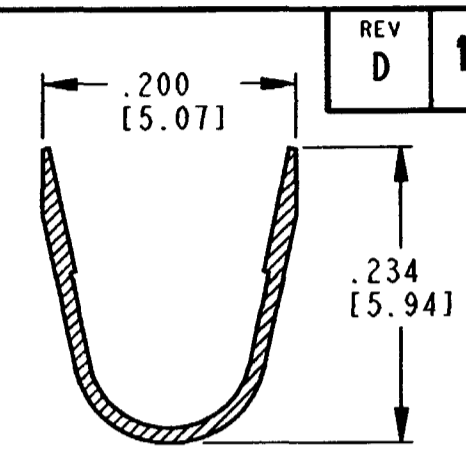
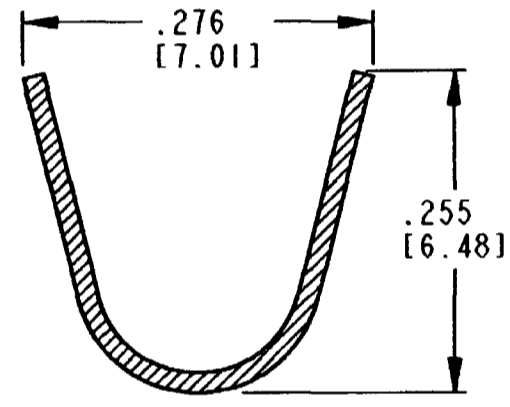


- 7. CONTACT MATERIAL CONTAINS 94% COPPER MINIMUM. CONTACT SLEEVE IS STAINLESS STEEL.
- 6. WHEN ** = 22 PLATING IS NICKEL.
** = 44 PLATING IS GOLD.
- 5. SEE 0425-015-0000 FOR CONTACT PERFORMANCE AND WIRE APPLICATION CHARACTERISTICS.
- 4. THIS CONTACT MAY BE CRIMPED WITH DCT12-02-01 AUTOMATIC DIE OR DTT-12-01 HAND TOOL. SEE DRAWING 0425-041-0000 FOR APPLICABLE WIRE SIZE, INSULATION DIAMETER RANGE, AND CRIMPING INFORMATION.
- 3. ONE REEL CONTAINS APPROXIMATELY 2000 CONTACTS.
- 2. DIMENSION TOLERANCE: ±.025 [.64].
- 1. DIMENSIONS ARE IN INCHES [mm].

NOTES: UNLESS OTHERWISE SPECIFIED



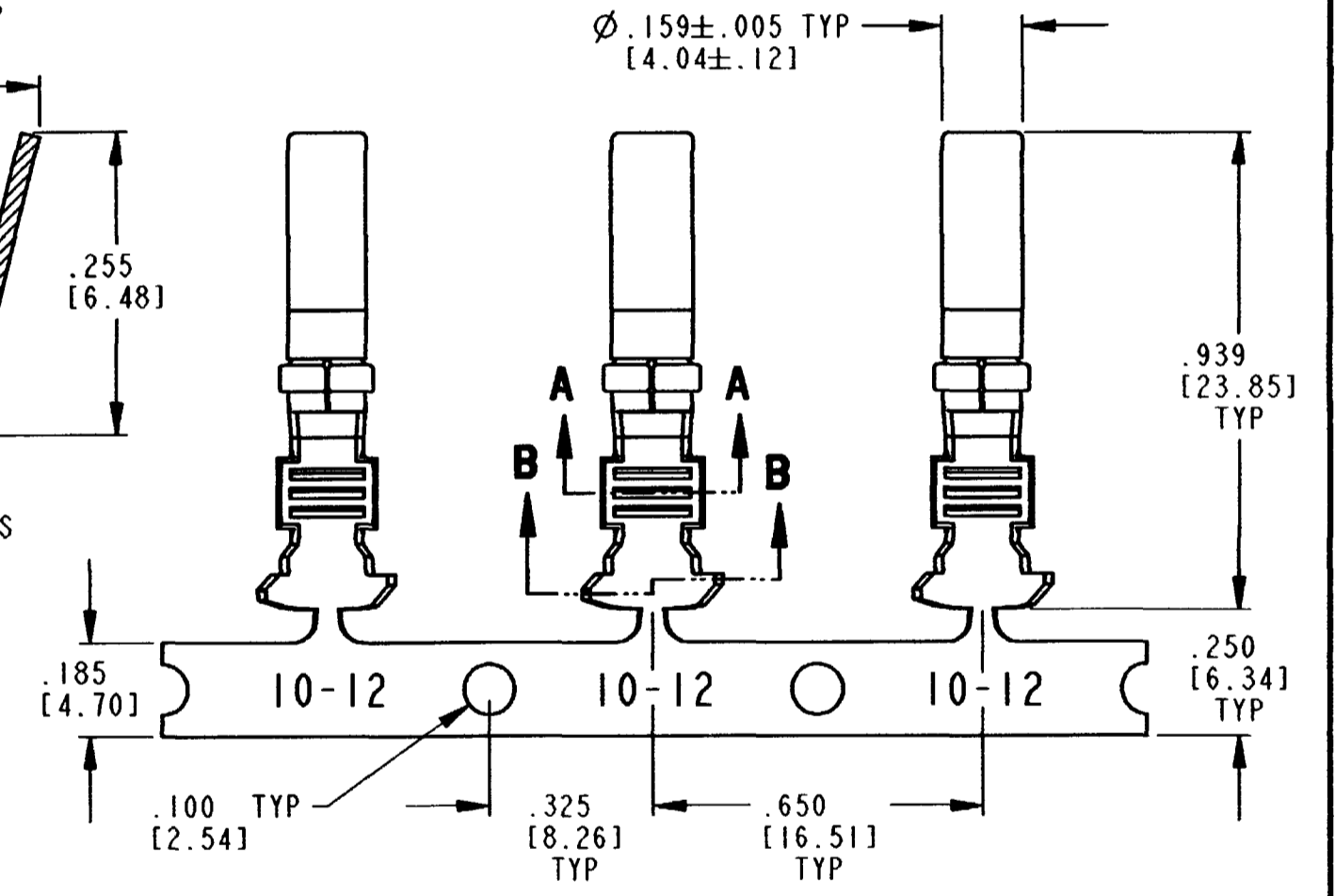
SECTION A-A
CONDUCTOR WINGS



SECTION B-B
INSULATION WINGS

REV D 1062-12-02**

REVISIONS			
SYM	DESCRIPTION	DATE	APPROVED
A	REVISED PER E.O. P17479	10-23-01	R.D.R.
B	REVISED PER E.O. P17675	3-15-02	R.D.R.
C	REVISED PER E.O. P18857	3-15-05	R.D.R.
D	REVISED PER E.O. P19555	7-11-07	ADR



SIGNATURE & DATE	
DR	D. MEYER 03/08/01
CHK	B. Meyer 7/11/07
PE	D. Meyer 10/10/07
APPD	R. Reid 7-11-07
SCALE	NONE WT

STAMPED CONTACT
SOCKET
SIZE 12

ENVELOPE

EP	EPI01	MATL. CODE
The Deutch Company DEUTSCH I.P.D. 3850 INDUSTRIAL AVE. HEMET, CALIF. 92545		
B 1062-12-02**		
DWG SIZE	CODE 11139	SHEET 1 OF 1