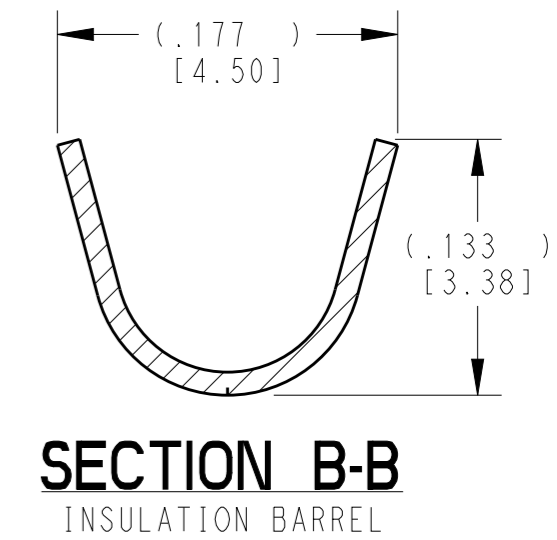
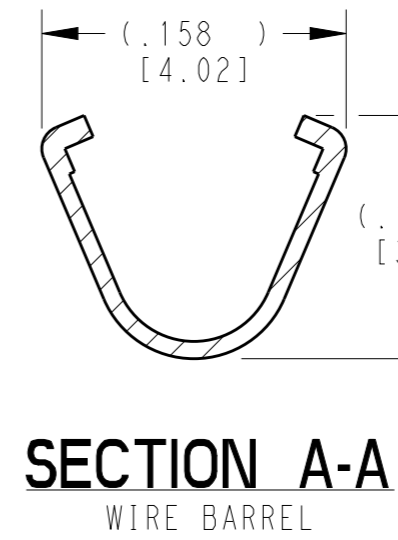
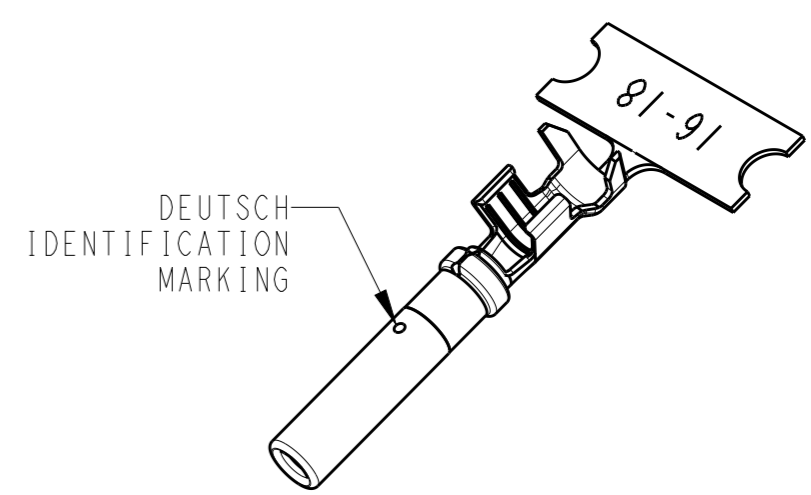
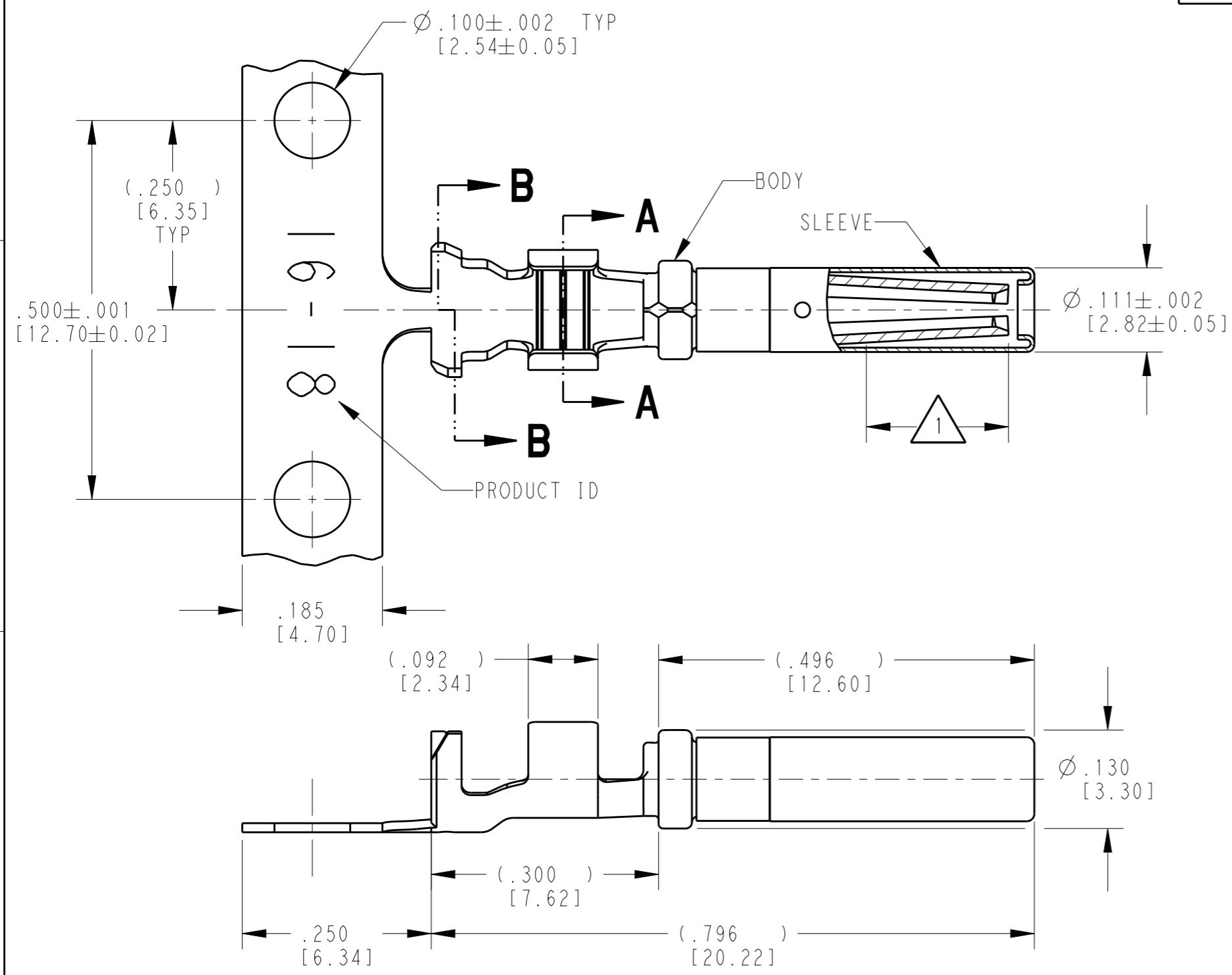


LOC	DIST	REVISIONS			
P	LTR	DESCRIPTION	DATE	DWN	APVD
	F	REVISED PER E.O. P16998	08DEC2000	SP	RDR
	G	REVISED PER E.O. P19555	11JUL2007	JA	RDR
	H	REVISED PER E.O. P20396	25JUN2010	JA	RDR
	J	REVISED PER ECO-15-007761	28MAY2015	RL	DM



- △ 3 MATERIAL:  
 BODY: .012 [0.30] THICK COPPER ALLOY  
 SLEEVE: STAINLESS STEEL
- 2. WIRE RANGE: 18 AWG TO 14 AWG [0.75-2.0 mm<sup>2</sup>]  
 INSULATION RANGE: Ø.075-.140 [Ø1.91-3.56]
- △ 1 APPLIES ONLY TO SELECTIVE GOLD 1062-16-0144.  
 INDICATED DIMENSION SHOWS GOLD PLATED AREA.

NOTES: UNLESS OTHERWISE SPECIFIED

THIS DRAWING IS A CONTROLLED DOCUMENT.		DWN M. BLUM 03NOV1999
DIMENSIONS: INCHES [mm]		CHK A. ROLINSKI 08DEC2000
TOLERANCES UNLESS OTHERWISE SPECIFIED:		APVD R. REED 08DEC2000
0 PLC ±		PRODUCT SPEC 0425-015-0000
1 PLC ±		APPLICATION SPEC 114-151000
2 PLC ±		WEIGHT 0.43 g
3 PLC ±.025 [0.64]		
4 PLC ±		
ANGLES ±		
MATERIAL △ 3	FINISH SEE TABLE	

TE INTERNAL PN	DEUTSCH PN	PLATING
1062-16-0122	1062-16-0122	NICKEL
1062-16-0144	1062-16-0144	SELECTIVE GOLD
1062-16-0177	1062-16-0177	TIN

**STE** TE Connectivity

NAME: SOCKET, STAMPED AND FORMED  
 SIZE 16  
 14-18AWG

SIZE A3	CAGE CODE 4AFU8	DRAWING NO C=1062-16-01XX	RESTRICTED TO -
------------	--------------------	------------------------------	--------------------

Customer Drawing SCALE 6:1 SHEET 1 OF 1 REV J