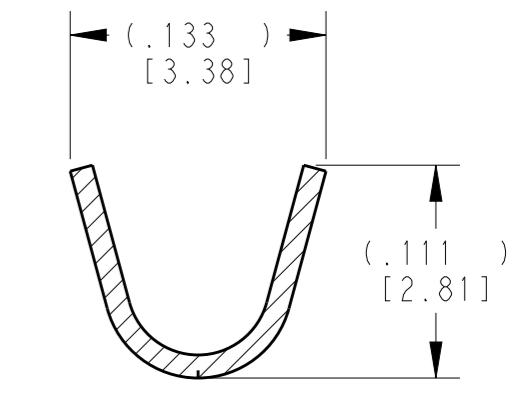
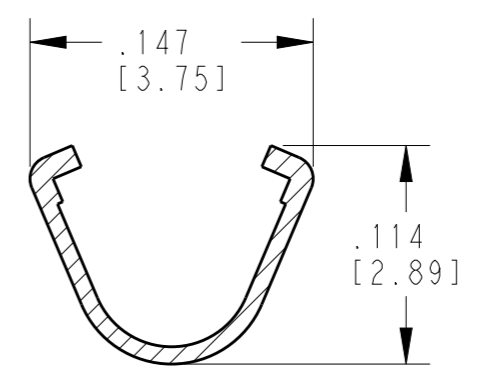
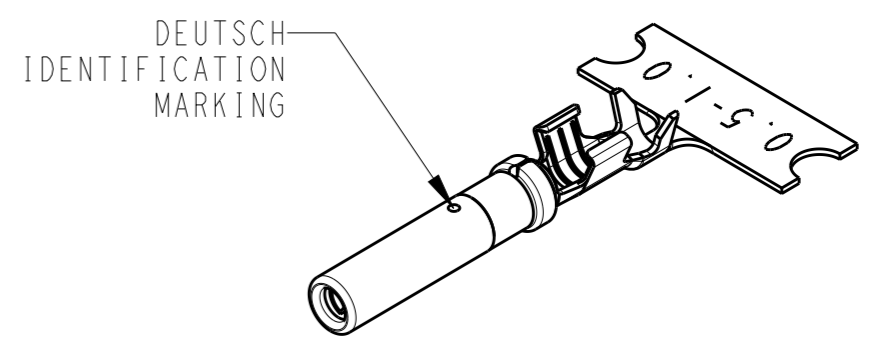
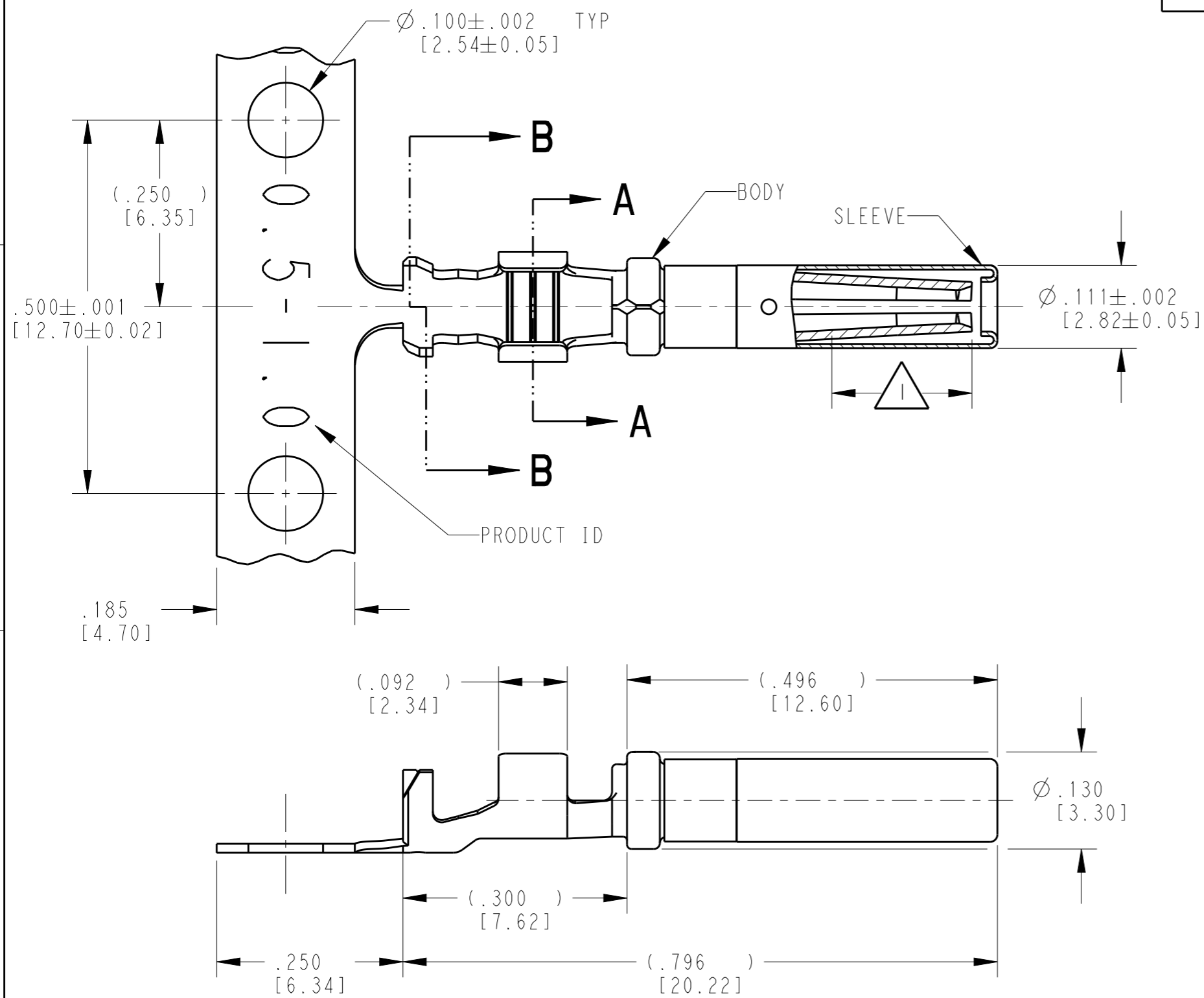


THIS DRAWING IS UNPUBLISHED
 RELEASED FOR PUBLICATION 2015
 © COPYRIGHT 2000 BY - TE CONNECTIVITY ALL RIGHTS RESERVED.

LOC	DIST	REVISIONS			
P	LTR	DESCRIPTION	DATE	DWN	APVD
	D	REVISED PER E.O. P19510	18MAY2007	JA	RDR
	E	REVISED PER E.O. P20396	26JUN2010	JA	RDR
	F	REVISED PER ECO-15-007761	26JUN2010	JA	RDR
	F1	REVISED PER PCN E-17-014802	06OCT2017	AJ	DM



SECTION A-A
WIRE BARRELL

SECTION B-B
INSULATION BARRELL

TE INTERNAL PN	DEUTSCH PN	PLATING
1062-16-0622	1062-16-0622	NICKEL
1062-16-0644	1062-16-0644	SELECTIVE GOLD
1062-16-0677	1062-16-0677	TIN
1062-16-0688	1062-16-0688	PALLADIUM NICKEL GOLD

- 3 MATERIAL:
BODY: .012 [0.30] THICK COPPER ALLOY
SLEEVE: STAINLESS STEEL
- 2. WIRE RANGE: 20 AWG TO 16 AWG [0.5-1.0 mm²]
INSULATION RANGE: $\varnothing .055-.100$ [$\varnothing 1.40-2.54$]
- 1 APPLIES ONLY TO SELECTIVE GOLD 1062-16-0644.
INDICATED DIMENSION SHOWS GOLD PLATED AREA.

NOTES: UNLESS OTHERWISE SPECIFIED

THIS DRAWING IS A CONTROLLED DOCUMENT.		DWN 28NOV2000 STEVE PALLUTH	TE TE Connectivity		
DIMENSIONS: INCHES [mm]		CHK 06DEC2000 VLADIMIR TOMSA			
TOLERANCES UNLESS OTHERWISE SPECIFIED:		APVD 08DEC2000 R REED	NAME SOCKET, STAMPED AND FORMED SIZE 16 16-20AWG		
0 PLC ± 1 PLC ± 2 PLC ± 3 PLC ±0.025 [0.64] 4 PLC ± ANGLES ±		PRODUCT SPEC 0425-015-0000	SIZE A3	CAGE CODE 4AFU8	DRAWING NO C=1062-16-06XX
MATERIAL 3		FINISH SEE TABLE	WEIGHT 0.42 g	RESTRICTED TO -	
		Customer Drawing	SCALE 6:1	SHEET 1 OF 1	REV F1