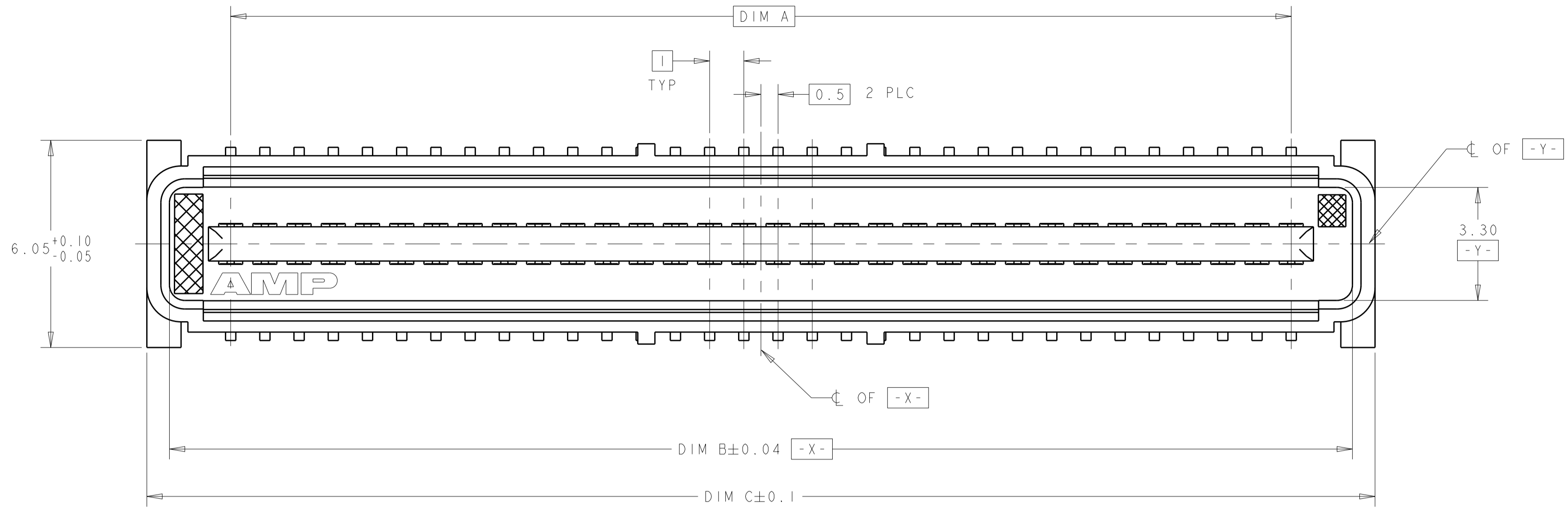
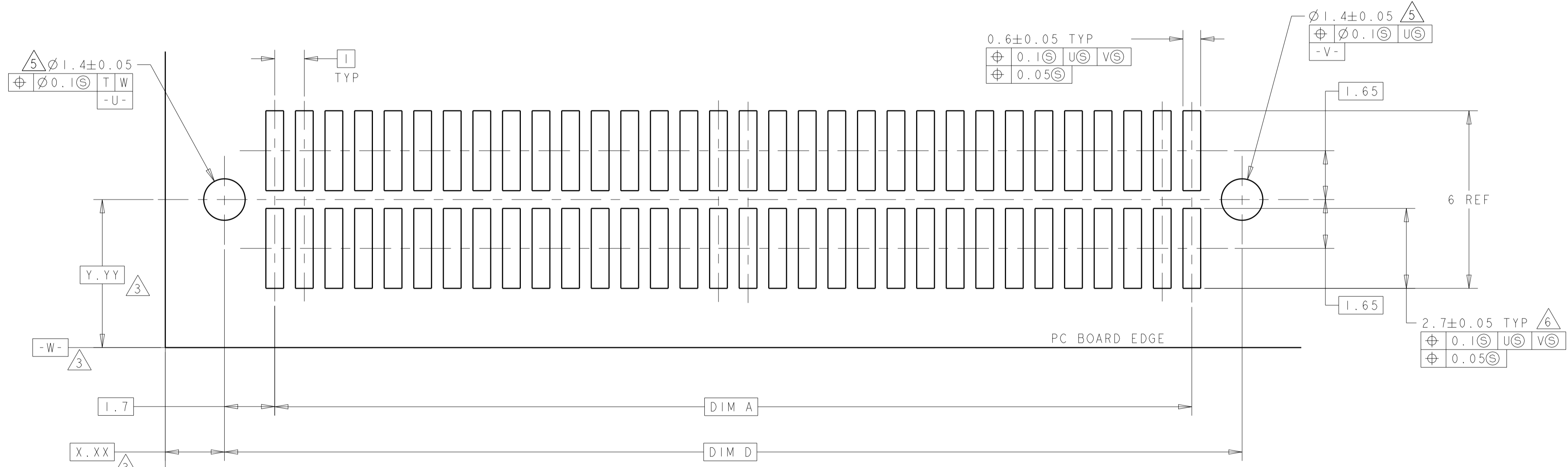
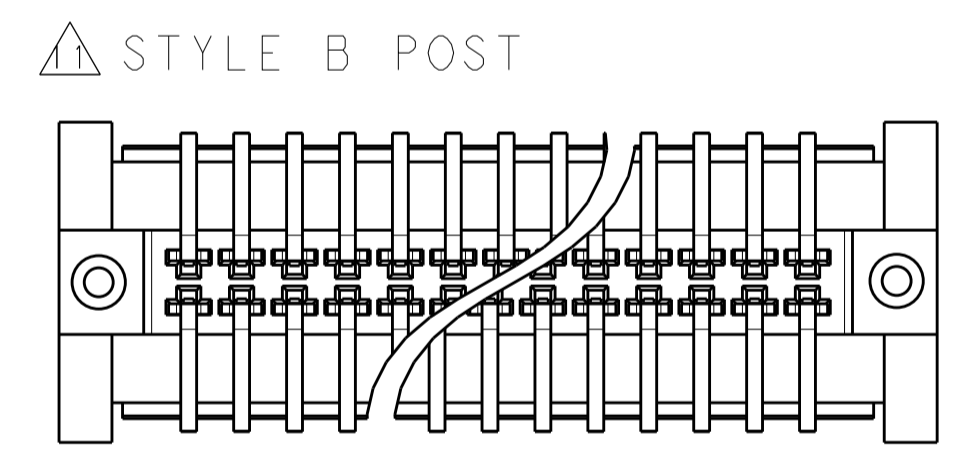
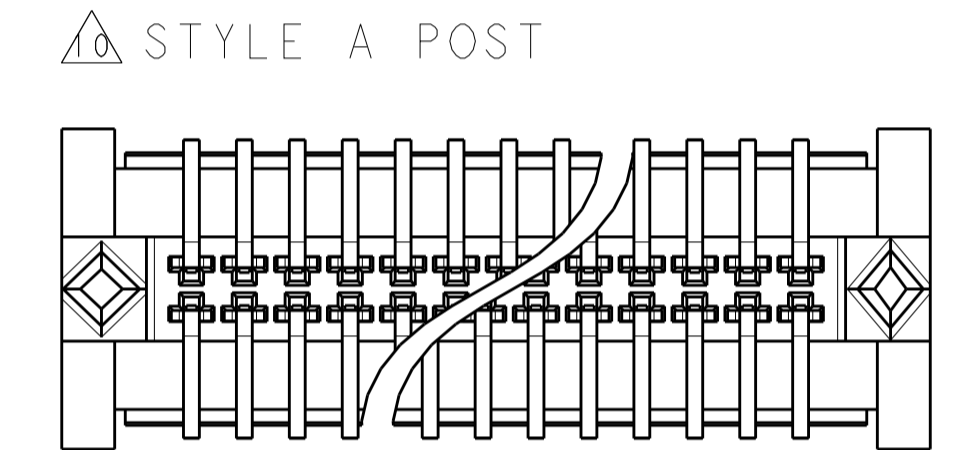
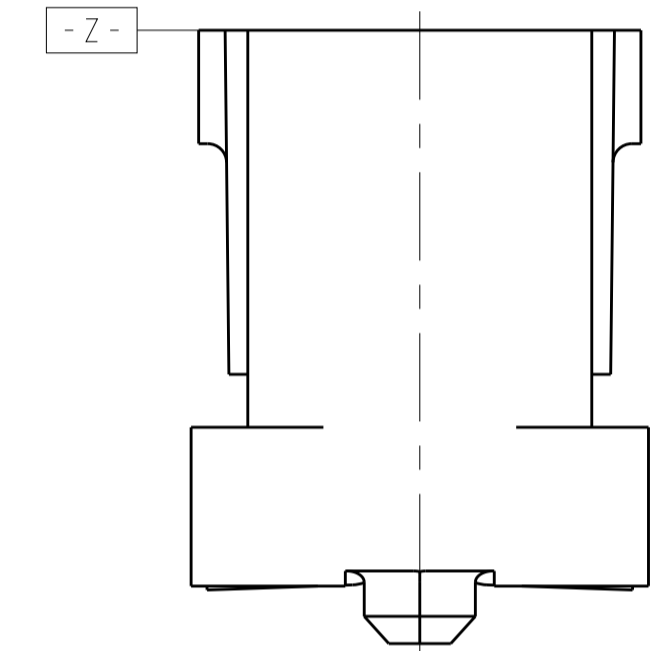
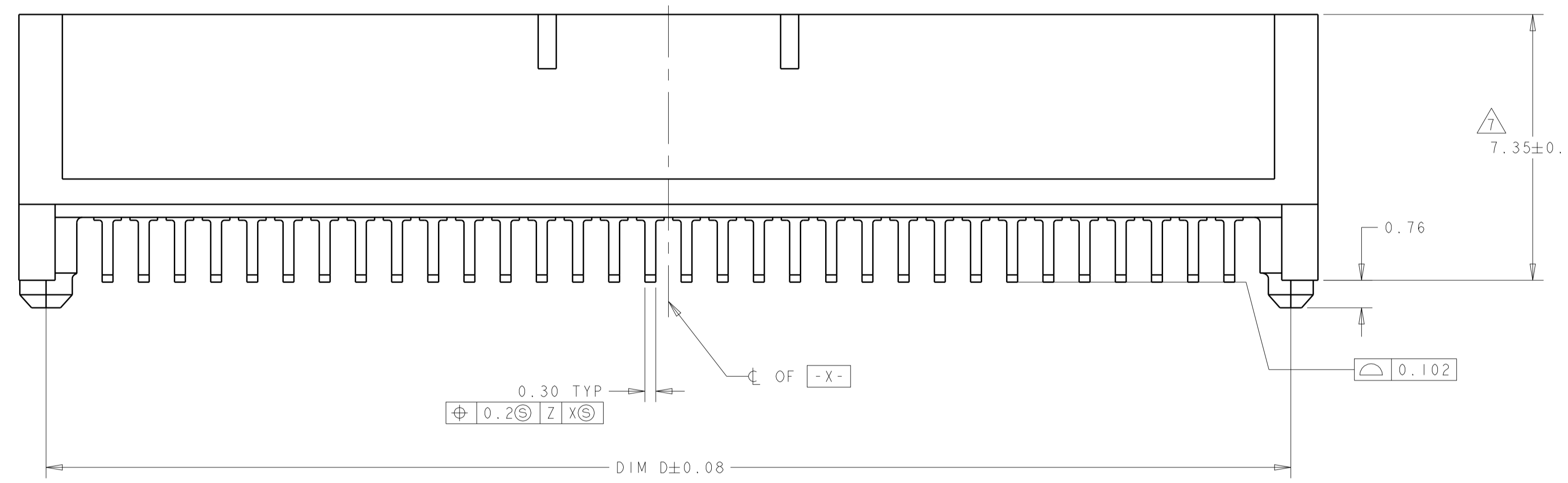


| REVISIONS |     |                       |           |          |
|-----------|-----|-----------------------|-----------|----------|
| P.        | LTM | DESCRIPTION           | DATE      | OWN APVD |
| G         |     | REV PER ECR-14-016951 | 11FEB2015 | J.T W.H  |



- HOUSING MATERIAL: LIQUID CRYSTAL POLYMER, COLOR; BLACK. CONTACT MATERIAL: PHOSPHOR BRONZE.
  - CONTACT FINISH: NICKEL UNDERPLATE ALL OVER, MATING SURFACES PLATED TO MEET PLI PERFORMANCE REQUIREMENTS OF INDUSTRY SPECIFICATION EIA-700AAAB, SOLDER TAILS PLATED TIN-LEAD.
  - DATUM LOCATIONS AND BASIC DIMENSIONS TO BE ESTABLISHED BY THE CUSTOMER. CONSULT AMP ENGINEERING WHEN PLACING MULTIPLE CONNECTORS ON A PC BOARD.
  - PACKAGED IN TAPE ON REEL PER EIA-481.
  - 1.5 MIN DIAMETER HOLE SHOULD BE USED IF USING POST STYLE "A" AND PLACING ON PCB WITH VACUUM PLACEMENT EQUIPMENT.
  - SHORTER SOLDER LANDS MAY BE USED PER EIA 700AAAB, HOWEVER 2.7 LENGTH ASSURES OPTIMUM SOLDER FILLET REGARDLESS OF MANUFACTURER OF CONNECTOR.
  - REFERRED TO AS DIM N IN EIA 700AAAB SPECIFICATION.
  - CONTACT FINISH: 0.002 MINIMUM BRIGHT TIN-LEAD (93-7) ON SOLDER AREA, 0.00127 MINIMUM GOLD ON MATING AREA, BOTH OVER 0.00127 MINIMUM NICKEL ON ENTIRE CONTACT.
- OBSELETE PART NUMBER.
- SQUARE AND DIAMOND SHAPED POSTS
  - ROUND SHAPED POSTS



RECOMMENDED PC BOARD LAYOUT

| POST STYLE | FINISH | DIM D | DIM C | DIM B | DIM A | STACK HGTS | POS | PART NO    |
|------------|--------|-------|-------|-------|-------|------------|-----|------------|
| 1          | 8      | 44.4  | 45.9  | 44.58 | 41    | 9, 11, 14  | 84  | 3-120526-2 |
| 1          | 2      | 34.4  | 35.9  | 34.58 | 31    | 9, 11, 14  | 64  | 3-120526-1 |
| 1          | 2      | 44.4  | 45.9  | 44.58 | 41    | 9, 11, 14  | 84  | 2-120526-2 |
| 1          | 2      | 34.4  | 35.9  | 34.58 | 31    | 9, 11, 14  | 64  | 2-120526-1 |
| 1          | 8      | 44.4  | 45.9  | 44.58 | 41    | 9, 11, 14  | 84  | 1-120526-2 |
| 1          | 2      | 34.4  | 35.9  | 34.58 | 31    | 9, 11, 14  | 64  | 1-120526-1 |
| 9          | 2      | 44.4  | 45.9  | 44.58 | 41    | 9, 11, 14  | 84  | 120526-2   |
| 9          | 2      | 34.4  | 35.9  | 34.58 | 31    | 9, 11, 14  | 64  | 120526-1   |

THIS DRAWING IS A CONTROLLED DOCUMENT. DWN J. REED 27/11/97  
 CHK L. VO 27/11/97

**TE** TE Connectivity

PRODUCT SPEC: 502-1079  
 APPLICATION SPEC: 114-25045

NAME: PLUG ASSY, 1.0mm FH(IEEE1386)  
 CONNECTOR

SIZE: A1 CAGE CODE: 120526 DRAWING NO: 502-1079  
 WEIGHT: 114-25045

MATERIAL: SEE TABLE  
 FINISH: SEE TABLE

CUSTOMER DRAWING SCALE: 10:1 SHEET: 1 OF 1 REV: G