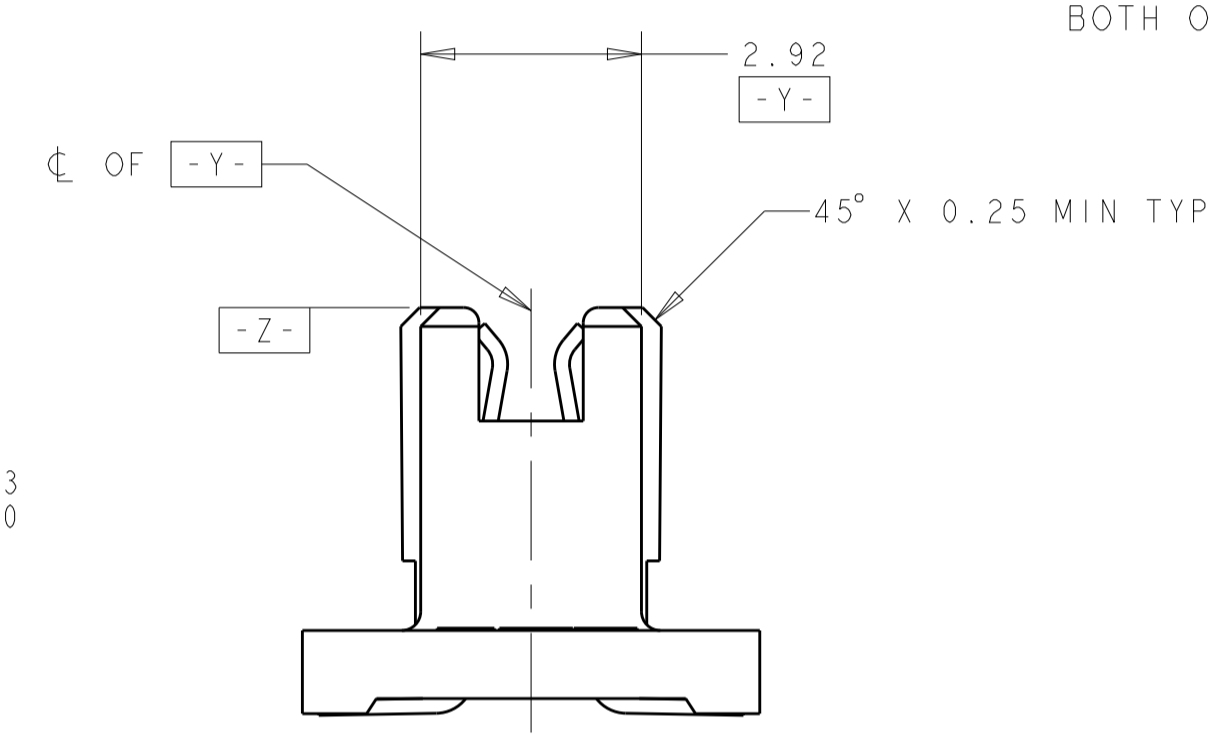
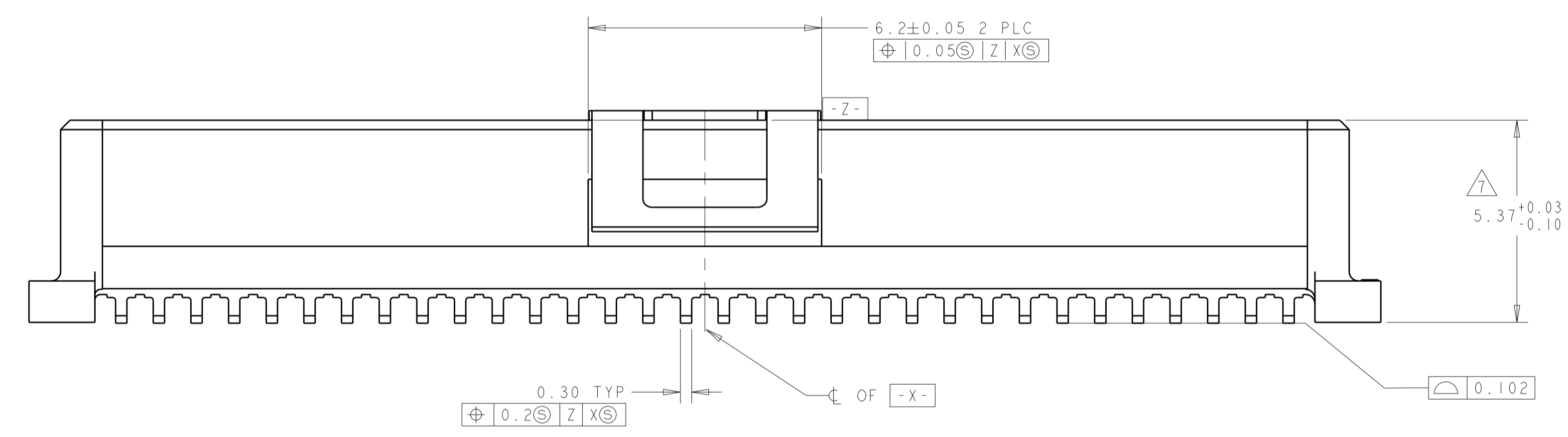
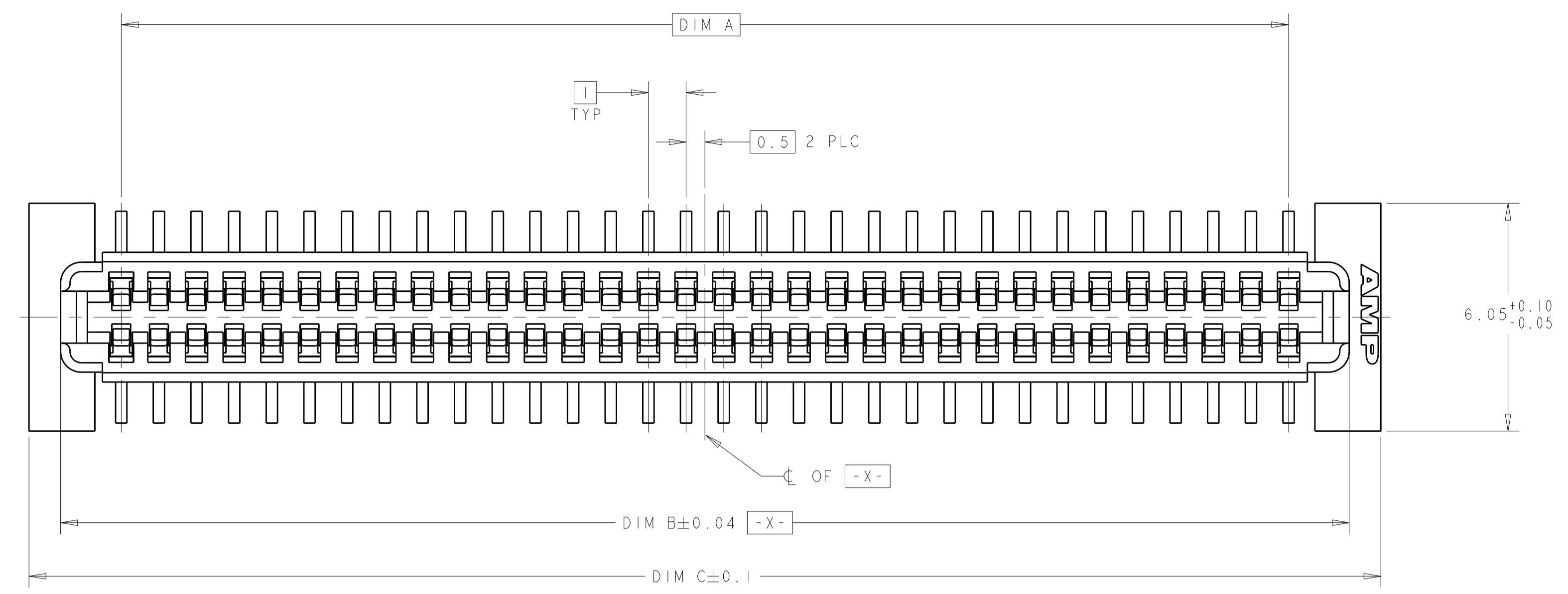
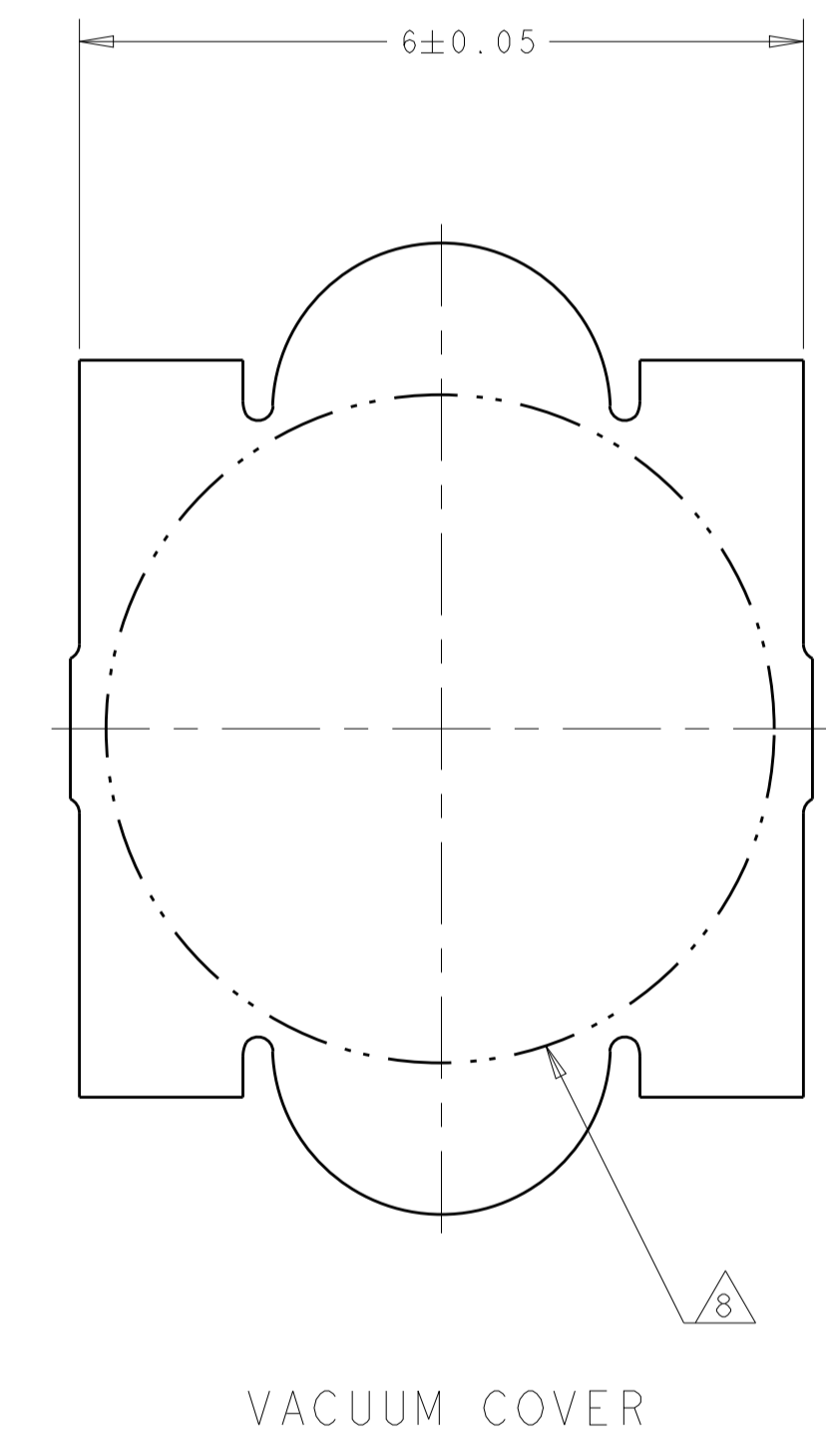


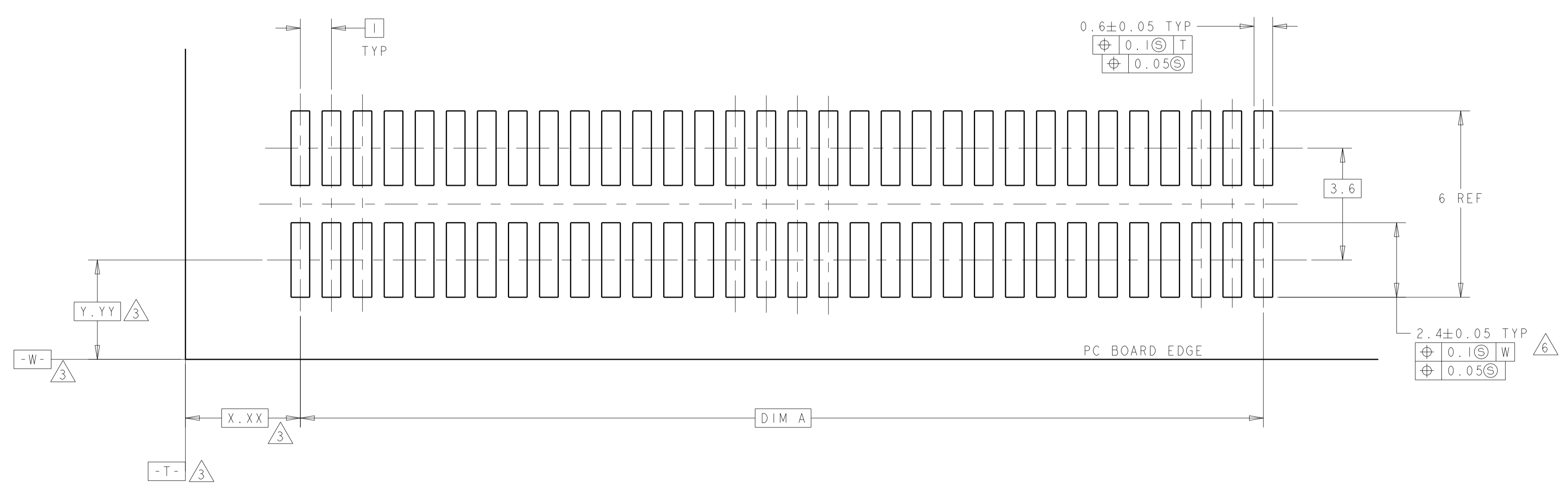
REVISIONS				
P.	LTN	DESCRIPTION	DATE	DMN APVD
L		REVISED PER ECR-14-016951	11FEB2015	J.T W.H



- 1 HOUSING MATERIAL: HIGH TEMPERATURE THERMOPLASTIC, COLOR: BLACK
CONTACT MATERIAL: PHOSPHOR BRONZE
- 2 CONTACT FINISH: NICKEL UNDERPLATE ALL OVER, MATING SURFACES
PLATED TO MEET PLI PERFORMANCE REQUIREMENTS OF INDUSTRY
SPECIFICATION EIA-700AAAB, SOLDER TAILS PLATED TIN-LEAD.
- 3 DATUM LOCATIONS AND BASIC DIMENSIONS TO BE ESTABLISHED BY THE
CUSTOMER. CONSULT AMP ENGINEERING WHEN PLACING MULTIPLE
CONNECTORS ON A PC BOARD.
4. PACKAGED IN TAPE ON REEL PER EIA-481.
5. VACUUM COVER DESIGNED FOR 4mm DIA. NOZZLE. COVER TO BE REMOVED
AFTER SOLDERING. COVER OMITTED FROM SOME VIEWS FOR DIMENSIONAL
CLARITY.
- 6 SHORTER SOLDER LANDS MAY BE USED PER EIA 700AAAB, HOWEVER 2.4
LENGTH ASSURES OPTIMUM SOLDER FILLET REGARDLESS OF
MANUFACTURER OF CONNECTOR.
- 7 REFERRED TO AS DIM H = 5.30±0.1 IN EIA 700AAAB SPECIFICATION.
- 8 5.5 MIN DIA TARGET AREA FOR VACUUM PICK-UP.
- 9 CONTACT FINISH: 0.002 MINIMUM BRIGHT TIN-LEAD (93-7)
ON SOLDER AREA, 0.00127 MINIMUM GOLD ON MATING AREA,
BOTH OVER 0.00127 MINIMUM NICKEL ON ENTIRE CONTACT.



VACUUM COVER



RECOMMENDED PC BOARD LAYOUT

9	45.9	44.22	41	120534-2	10	84	1-120528-2
9	45.9	44.22	41	120533-2	9	84	1-120528-2
9	45.9	44.22	41	120532-2	8	84	1-120528-2
9	35.9	34.22	31	120534-1	10	64	1-120528-1
9	35.9	34.22	31	120533-1	9	64	1-120528-1
9	35.9	34.22	31	120532-1	8	64	1-120528-1
2	45.9	44.22	41	120534-2	10	84	120528-2
2	45.9	44.22	41	120533-2	9	84	120528-2
2	45.9	44.22	41	120532-2	8	84	120528-2
2	35.9	34.22	31	120534-1	10	64	120528-1
2	35.9	34.22	31	120533-1	9	64	120528-1
2	35.9	34.22	31	120532-1	8	64	120528-1

THIS DRAWING IS A CONTROLLED DOCUMENT.		DMN J. REED 27/17/97	TE Connectivity	
DIMENSIONS:		CHK L.VO 27/17/97	NAME	
mm	TOLERANCES UNLESS OTHERWISE SPECIFIED:	PRODUCT SPEC		
0 PLC	±	502-1079		
1 PLC	±0.03	APPLICATION SPEC		
2 PLC	±0.003	SIZE		
3 PLC	±	CAGE CODE DRAWING NO		
4 PLC	±	RESTRICTED TO		
ANGLES	±	A1		
FINISH	±0°-1'	SCALE		
MATERIAL	SEE TABLE	CUSTOMER DRAWING		
		WEIGHT		SHEET
		114-25045		OF
		C=120528		REV
		SCALE 10:1		L