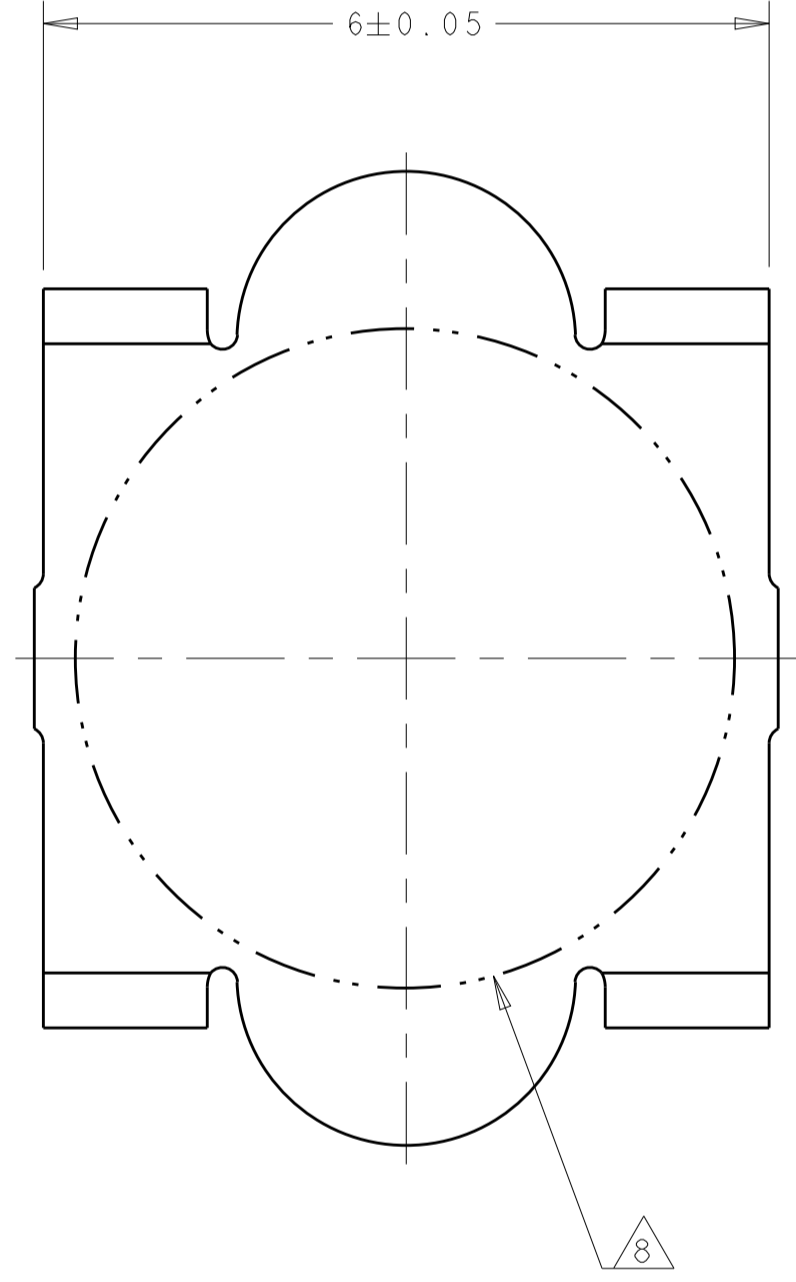
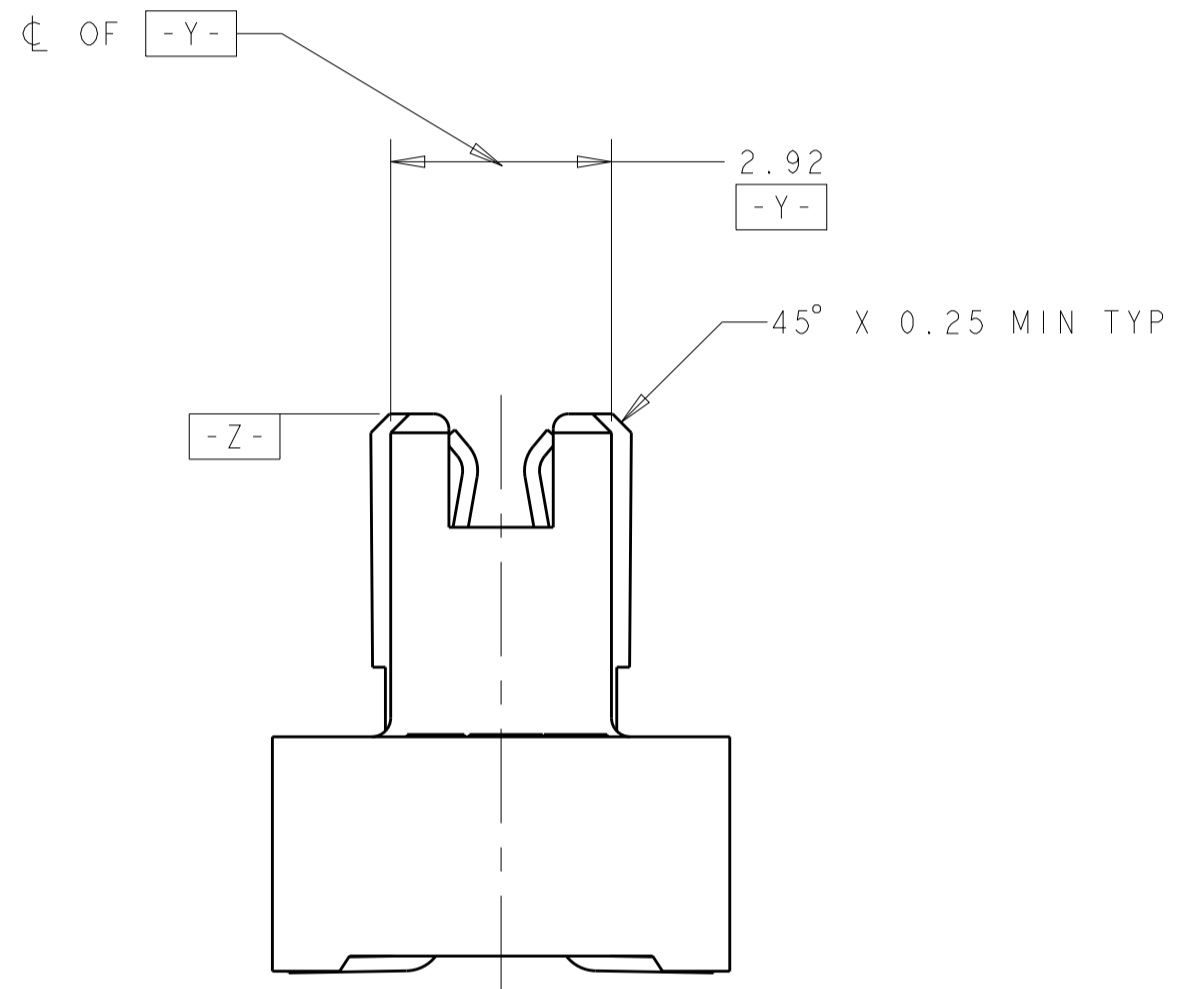
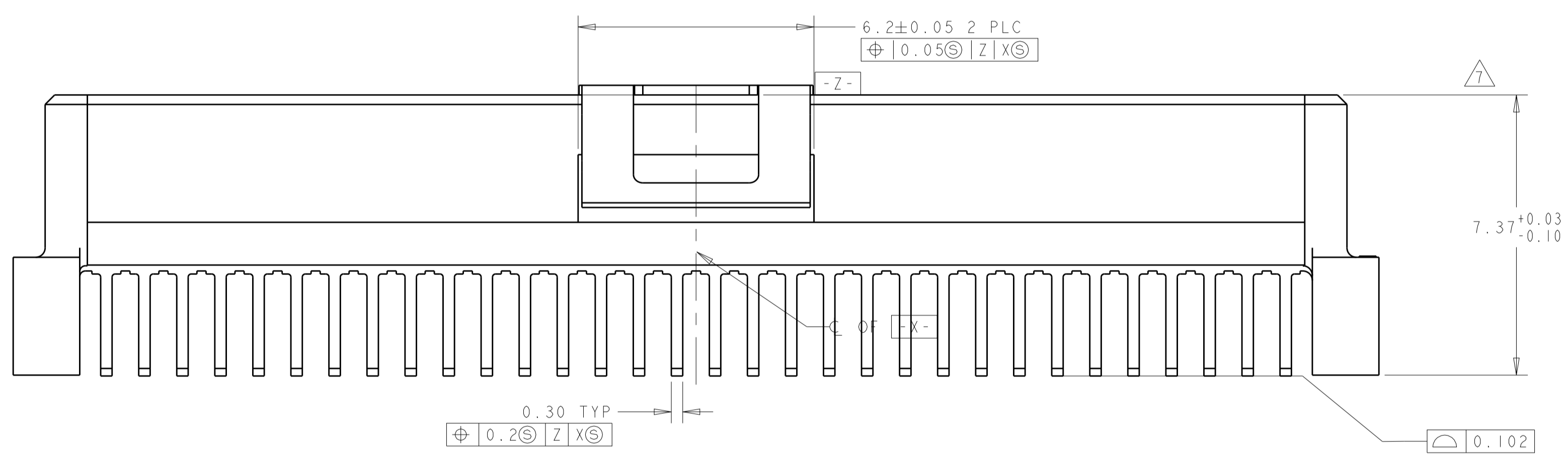
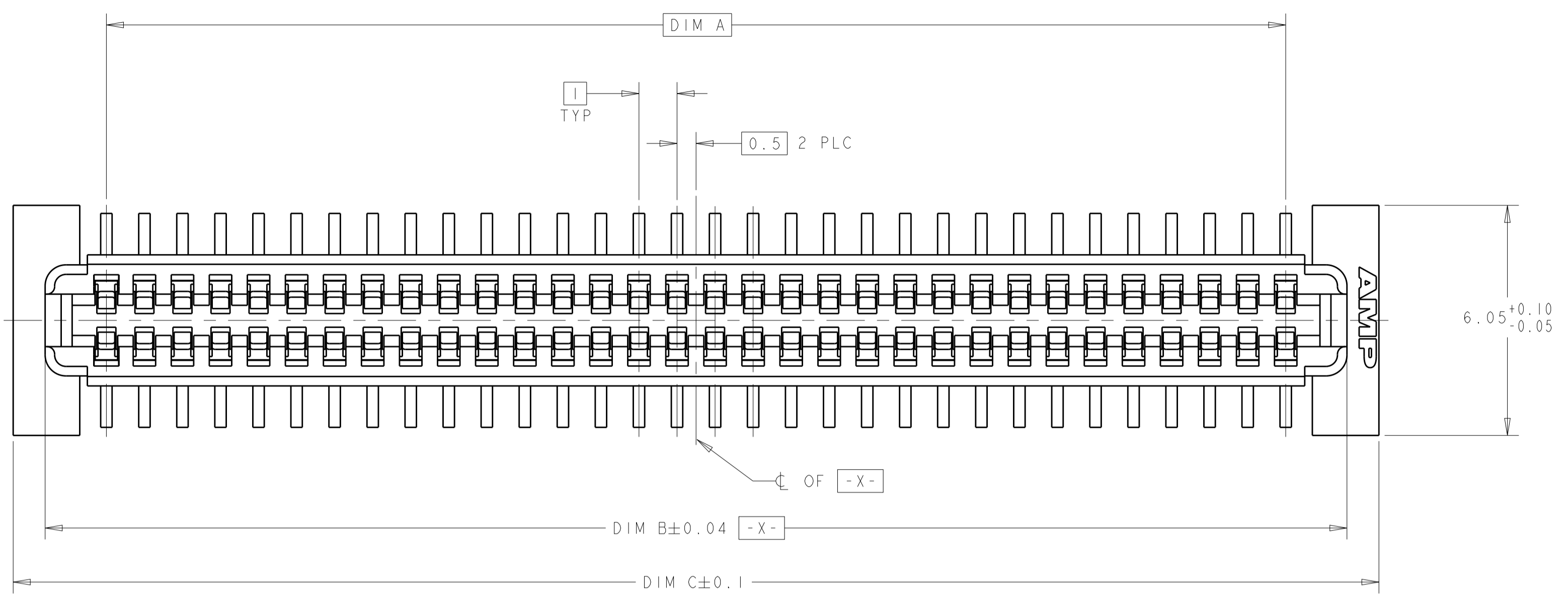
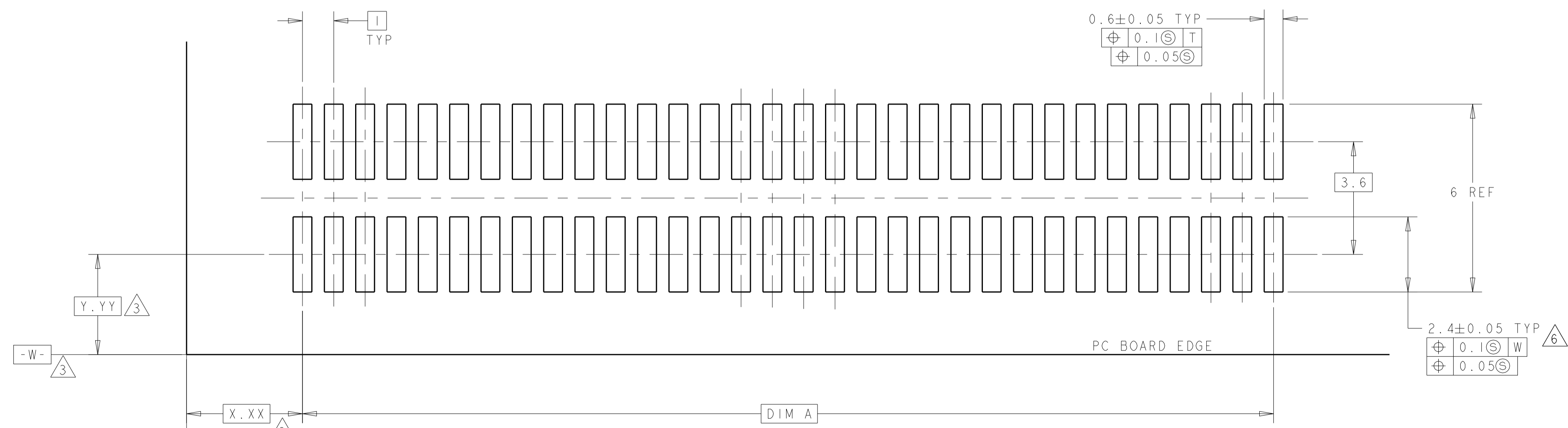


REVISIONS				
P.	LTN.	DESCRIPTION	DATE	APVD.
J1		REVISED PER ECR-15-012743	24SEP2015	J.T. W.H.



VACUUM COVER

- 1. HOUSING MATERIAL: HIGH TEMPERATURE THERMOPLASTIC, COLOR: BLACK
CONTACT MATERIAL: PHOSPHOR BRONZE
- 2. CONTACT FINISH: NICKEL UNDERPLATE ALL OVER, MATING SURFACES PLATED TO MEET PLI PERFORMANCE REQUIREMENTS OF INDUSTRY SPECIFICATION EIA-700AAAB, SOLDER TAILS PLATED TIN-LEAD.
- 3. DATUM LOCATIONS AND BASIC DIMENSIONS TO BE ESTABLISHED BY THE CUSTOMER. CONSULT AMP ENGINEERING WHEN PLACING MULTIPLE CONNECTORS ON A PC BOARD.
- 4. PACKAGED IN TAPE ON REEL PER EIA-481.
- 5. VACUUM COVER DESIGNED FOR 4mm DIA. NOZZLE. COVER TO BE REMOVED AFTER SOLDERING. VACUUM COVER OMITTED FROM SOME VIEWS FOR DIMENSIONAL CLARITY.
- 6. SHORTER SOLDER LANDS MAY BE USED PER EIA 700AAAB, HOWEVER 2.4 LENGTH ASSURES OPTIMUM SOLDER FILLET REGARDLESS OF MANUFACTURER OF CONNECTOR.
- 7. REFERRED TO AS DIM H = 7.30±0.1 IN EIA 700AAAB SPECIFICATION.
- 8. 5.5 MIN DIA TARGET AREA FOR VACUUM PICK-UP.
- 9. CONTACT FINISH: 0.002 MINIMUM BRIGHT TIN-LEAD (93-7) ON SOLDER AREA, 0.00127 MINIMUM GOLD ON MATING AREA, BOTH OVER 0.00127 MINIMUM NICKEL ON ENTIRE CONTACT.



RECOMMENDED PC BOARD LAYOUT

FINISH	DIM C	DIM B	DIM A	MATING CONNECTOR	STACK HGTS	POS	PART NO
9	45.9	44.22	41	120534-2	12	84	1-120529-2
9	45.9	44.22	41	120533-2	11	84	1-120529-2
9	35.9	34.22	31	120534-1	12	64	1-120529-1
9	35.9	34.22	31	120533-1	11	64	1-120529-1
2	45.9	44.22	41	120534-2	12	84	120529-2
2	45.9	44.22	41	120533-2	11	84	120529-2
2	35.9	34.22	31	120534-1	12	64	120529-1
2	35.9	34.22	31	120533-1	11	64	120529-1

THIS DRAWING IS A CONTROLLED DOCUMENT. DIMENSIONS: mm. TOLERANCES UNLESS OTHERWISE SPECIFIED: 0 PLC ±, 1 PLC ±0.03, 2 PLC ±0.03, 3 PLC ±0.03, 4 PLC ±, ANGLES ±0°-1'.

DATE: 27/15/97. DRAWN: J. REED. CHECKED: L. VO. PRODUCT SPEC: 502-1079. APPLICATION SPEC: 114-25045. WEIGHT: -.

SCALE: 10:1. SHEET: 1 OF 1. REV: J1.

STE TE Connectivity. RECEPTACLE ASSEMBLY, W/ COVER, 1.0mm FH (IEEE1386) CONNECTOR. SIZE: A1. CAGE CODE: -120529. CUSTOMER DRAWING.