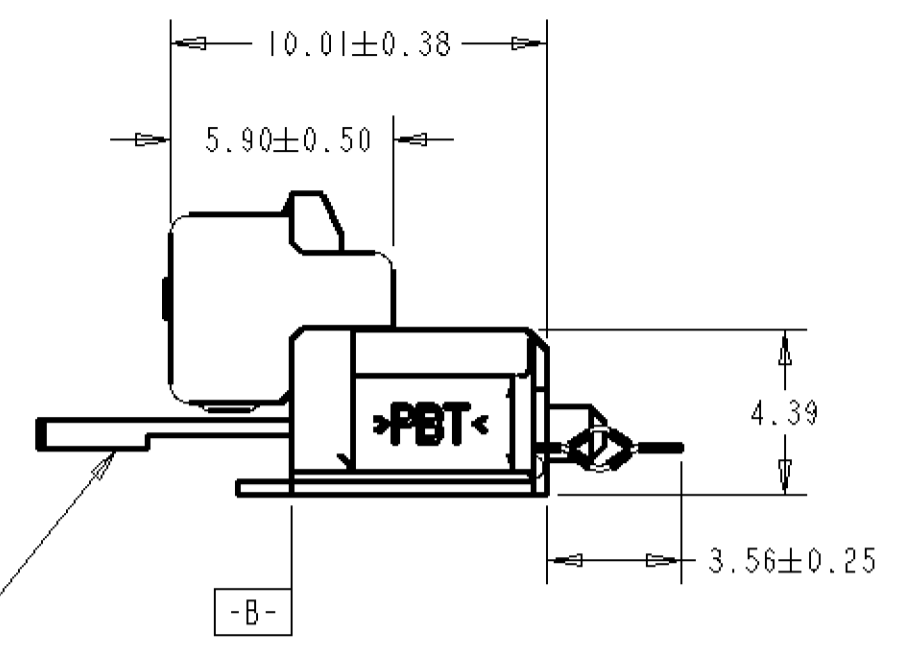
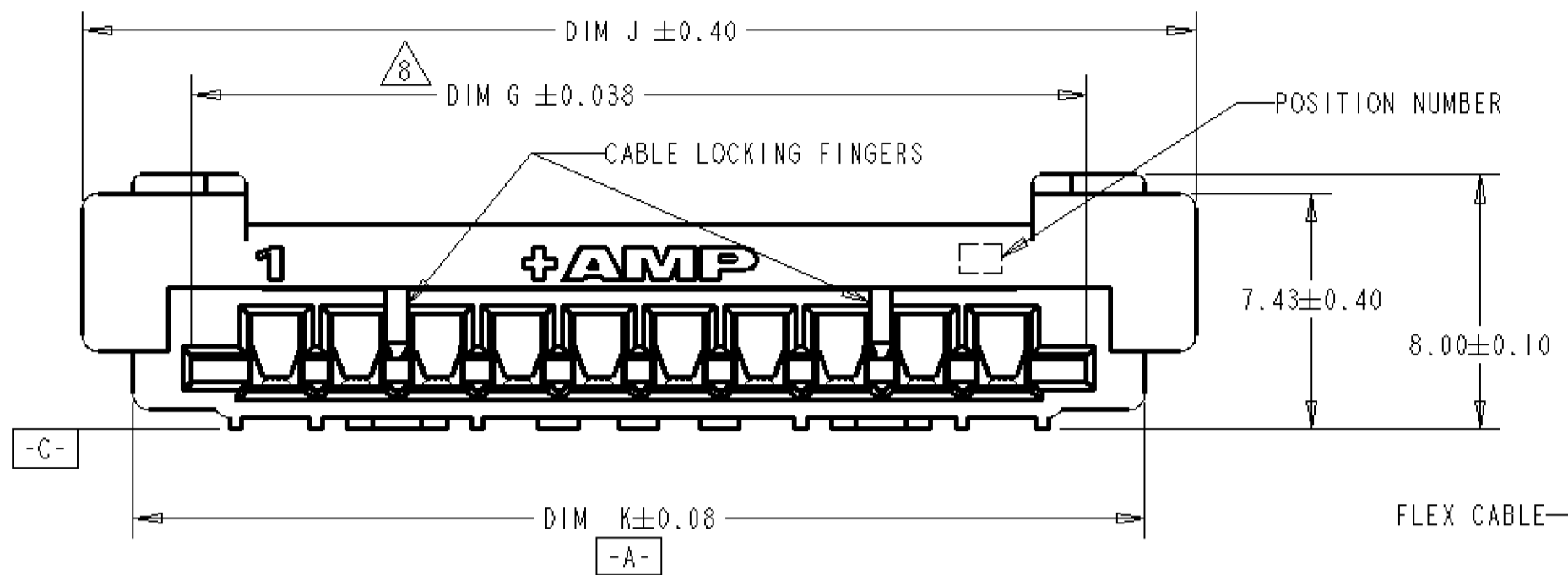
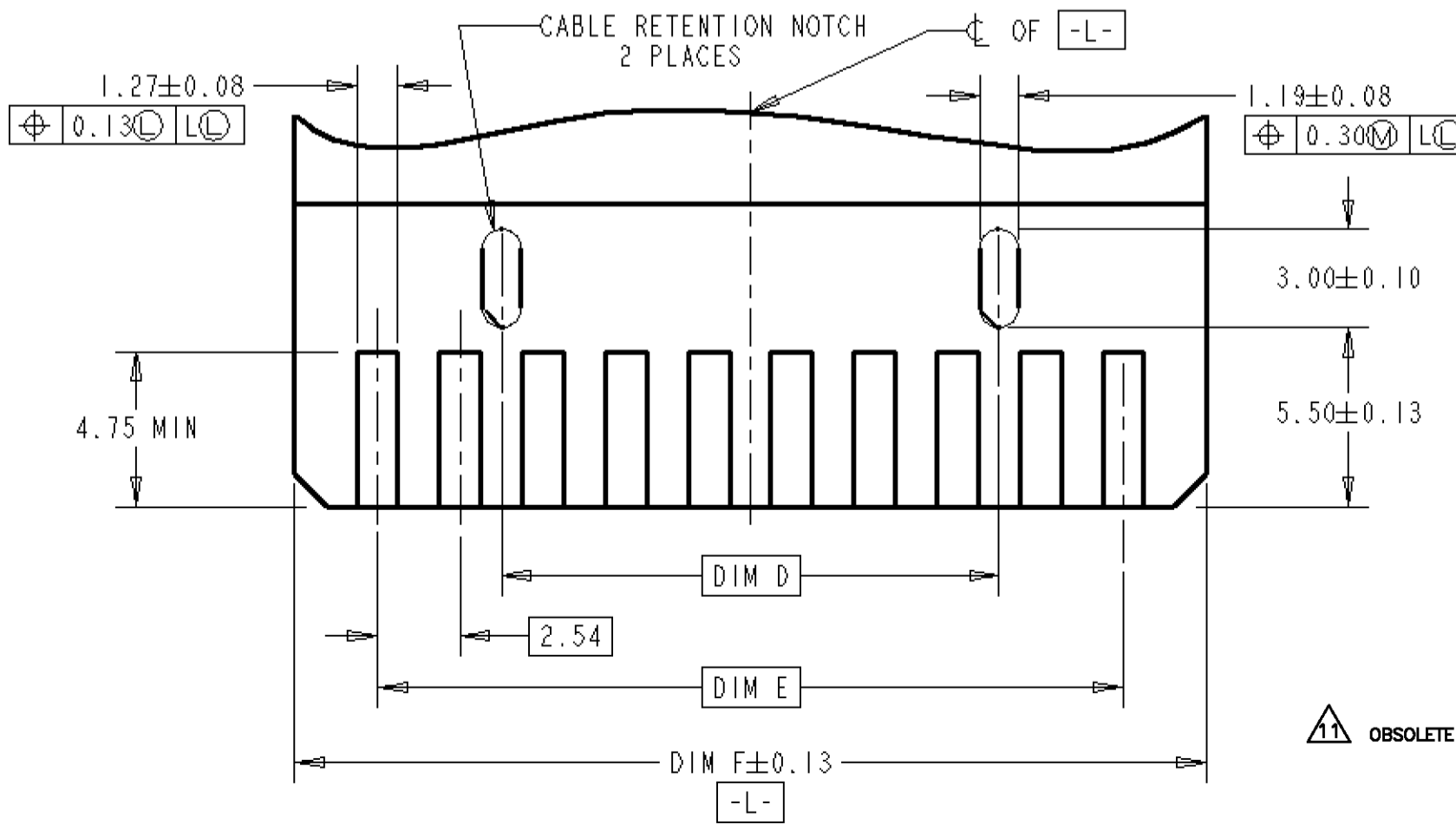
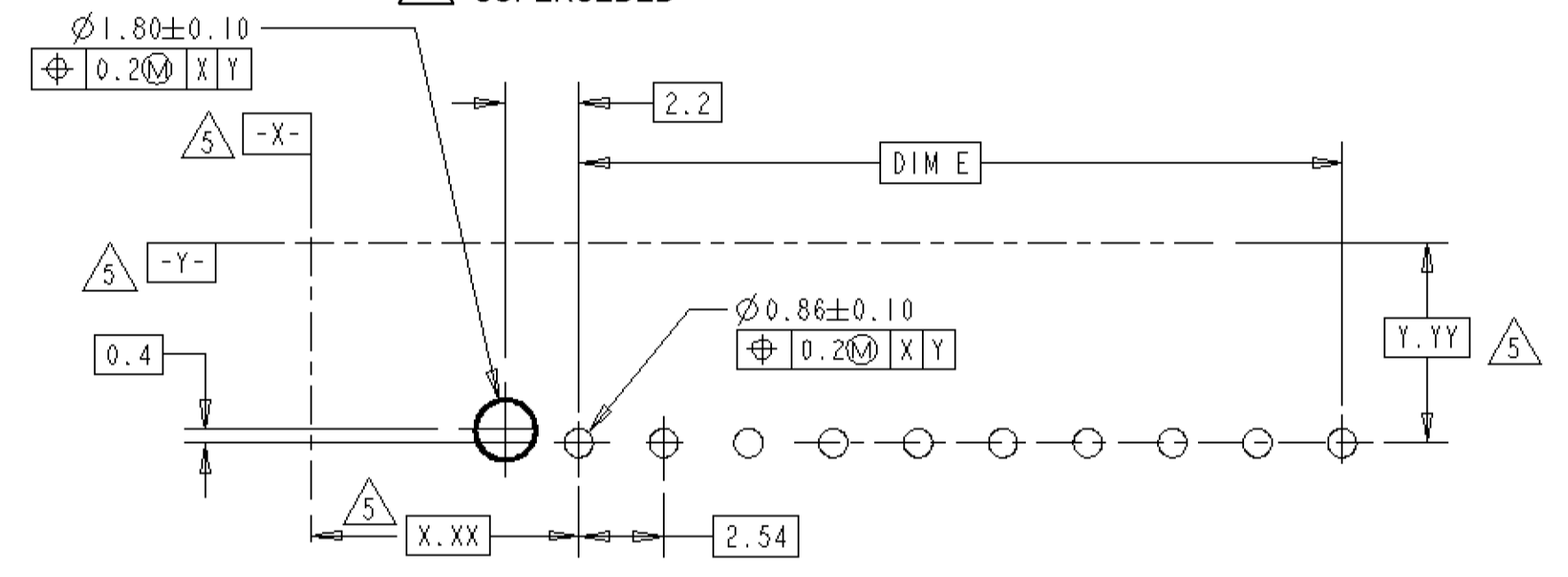
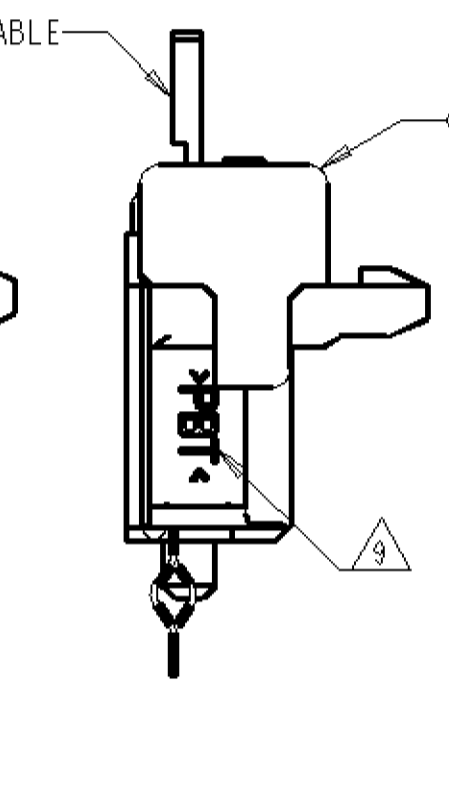
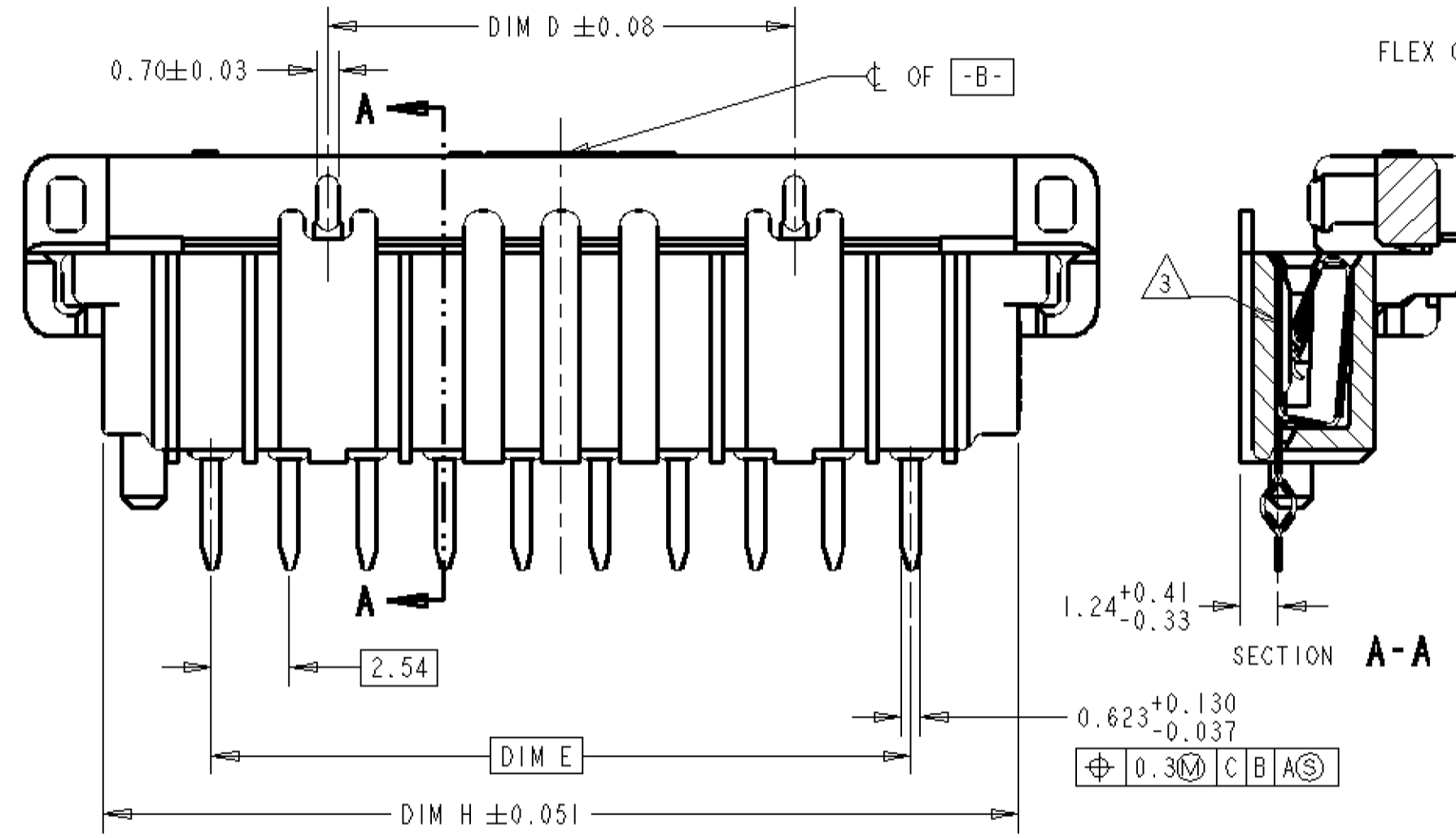


THIS DRAWING IS UNPUBLISHED. RELEASED FOR PUBLICATION
 ALL RIGHTS RESERVED.

LOC		DIST		REVISIONS			
P	LTR	DESCRIPTION	DATE	DWN	APVD		
E3		REVISED PER ECO-11-005140	19APR11	RK	HMR		



- 1 MATERIALS: HOUSING & LOCKING BAR: GLASS-REINFORCED THERMOPLASTIC, UL 94-V0 RATED, COLOR: BLACK. CONTACT: PHOSPHOR BRONZE.
- 2 CONNECTOR WILL ACCEPT FLEXIBLE PRINTED CIRCUIT OR FLAT FLEXIBLE CABLE ON 2.54 CENTERS IN A THICKNESS RANGE OF 0.127 TO 0.381 IN THE CONTACT AREA.
- 3 SEQUENTIAL CONTACTS REDUCE CABLE INSERTION FORCE.
- 4 FINISH: 0.0038-0.0064 THICK, MATTE TIN OVER COPPER OR NICKEL FLASH PRE-PLATED ON STRIP.
- 5 DATUMS AND DIMENSIONS ESTABLISHED BY THE CUSTOMER.
- 6 CONNECTOR FOR USE ON 1.57 THICK PCB.
- 7. REFER TO AMP APPLICATION SPECIFICATION 114-2062 FOR MORE INFORMATION ABOUT USING THIS PRODUCT.
- 8 DIMENSION APPLIES AT THE BOTTOM OF THE CAVITY.
- 9 DFE SYMBOL ON EITHER SIDE
- 10 SUPERSEDED



Part Number	DIM K	DIM J	DIM H	DIM G	DIM F	DIM E	DIM D	POSN NO.	Part Number
7-120628-2	62.32	65.52	60.40	58.66	58.42	53.34	45.72	22	2-120628-2
7-120628-0	57.24	60.44	55.32	53.58	53.34	48.26	40.64	20	2-120628-0
6-120628-9	54.70	57.90	52.78	51.04	50.80	45.72	38.10	19	1-120628-9
6-120628-8	52.16	55.36	50.24	48.50	48.26	43.18	35.56	18	1-120628-8
6-120628-7	49.62	52.82	47.70	45.96	45.72	40.64	33.02	17	1-120628-7
6-120628-6	47.08	50.28	45.16	43.42	43.18	38.10	30.48	16	1-120628-6
6-120628-4	42.00	45.20	40.08	38.34	38.10	33.02	25.40	14	1-120628-4
6-120628-3	39.46	42.66	37.54	35.80	35.56	30.48	22.86	13	1-120628-3
6-120628-2	36.92	40.12	35.00	33.26	33.02	27.94	20.32	12	1-120628-2
6-120628-0	31.84	35.04	29.92	28.18	27.94	22.86	15.24	10	1-120628-0
5-120628-9	29.30	32.50	27.38	25.64	25.40	20.32	12.70	9	120628-9
5-120628-8	26.76	29.96	24.84	23.10	22.86	17.78	10.16	8	120628-8
5-120628-7	24.22	27.42	22.30	20.56	20.32	15.24	7.62	7	120628-7
5-120628-5	19.14	22.34	17.22	15.48	15.24	10.16	2.54	5	120628-5

RECOMMENDED CABLE LAYOUT 2

RECOMMENDED P.C. BOARD LAYOUT 6

1 OBSOLETE PARTS: OBSOLETE CIS STREAMLINING PER D.RENAUD/D.SINISI

DIMENSIONS: mm		TOLERANCES UNLESS OTHERWISE SPECIFIED:		DWN WYLEE 8SEP98		CHK AP TAY		APVD SE LEONG		TE Connectivity	
0 PLC ±		1 PLC ±		2 PLC ±0.13		3 PLC ±		4 PLC ±		NAME LOCKING TRIOMATE ASSY, VERTICAL, POLARIZATION ON PIN #1 SIDE, W/RETENTION LEGS	
MATERIAL		FINISH		PRODUCT SPEC 108-2038		APPLICATION SPEC 114-2062		WEIGHT		SIZE A2	
				CUSTOMER DRAWING		SCALE 5:1		SHEET OF		REV E3	