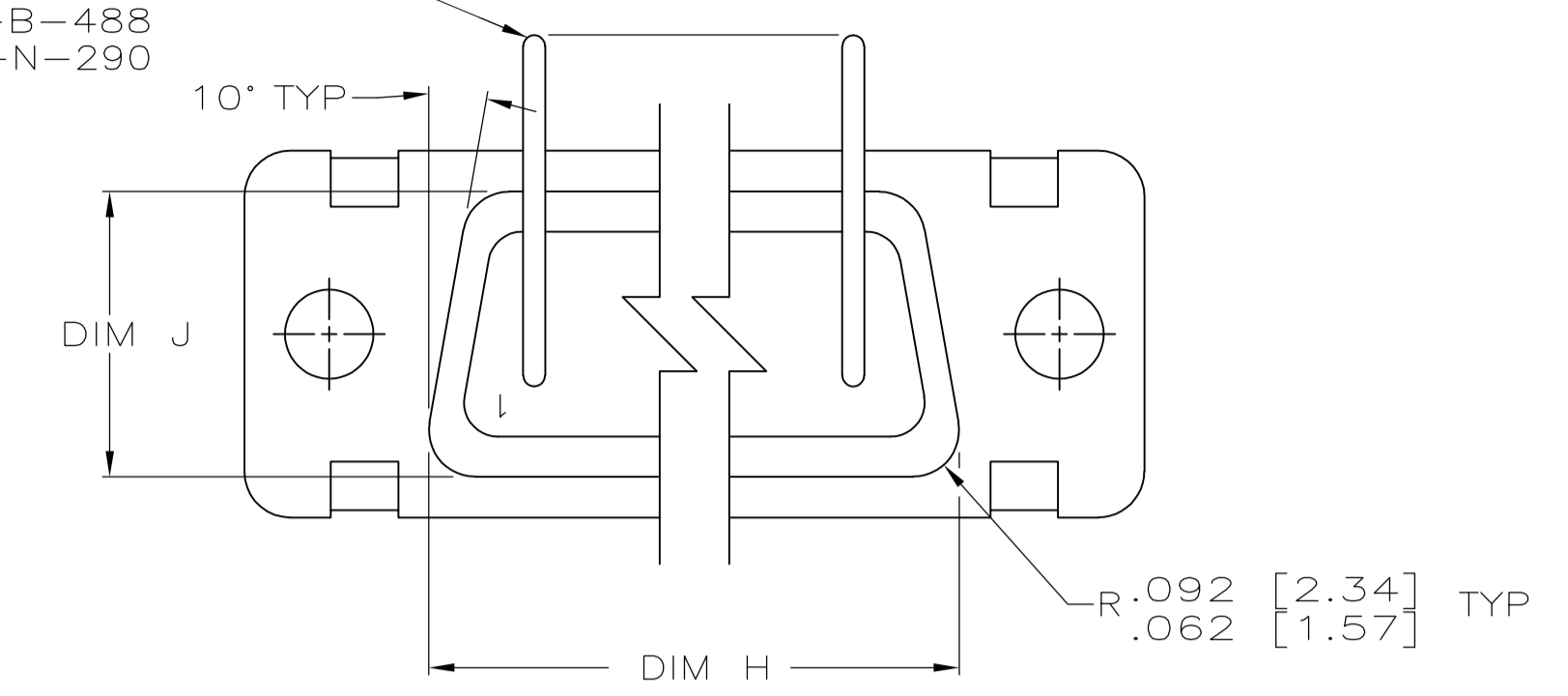
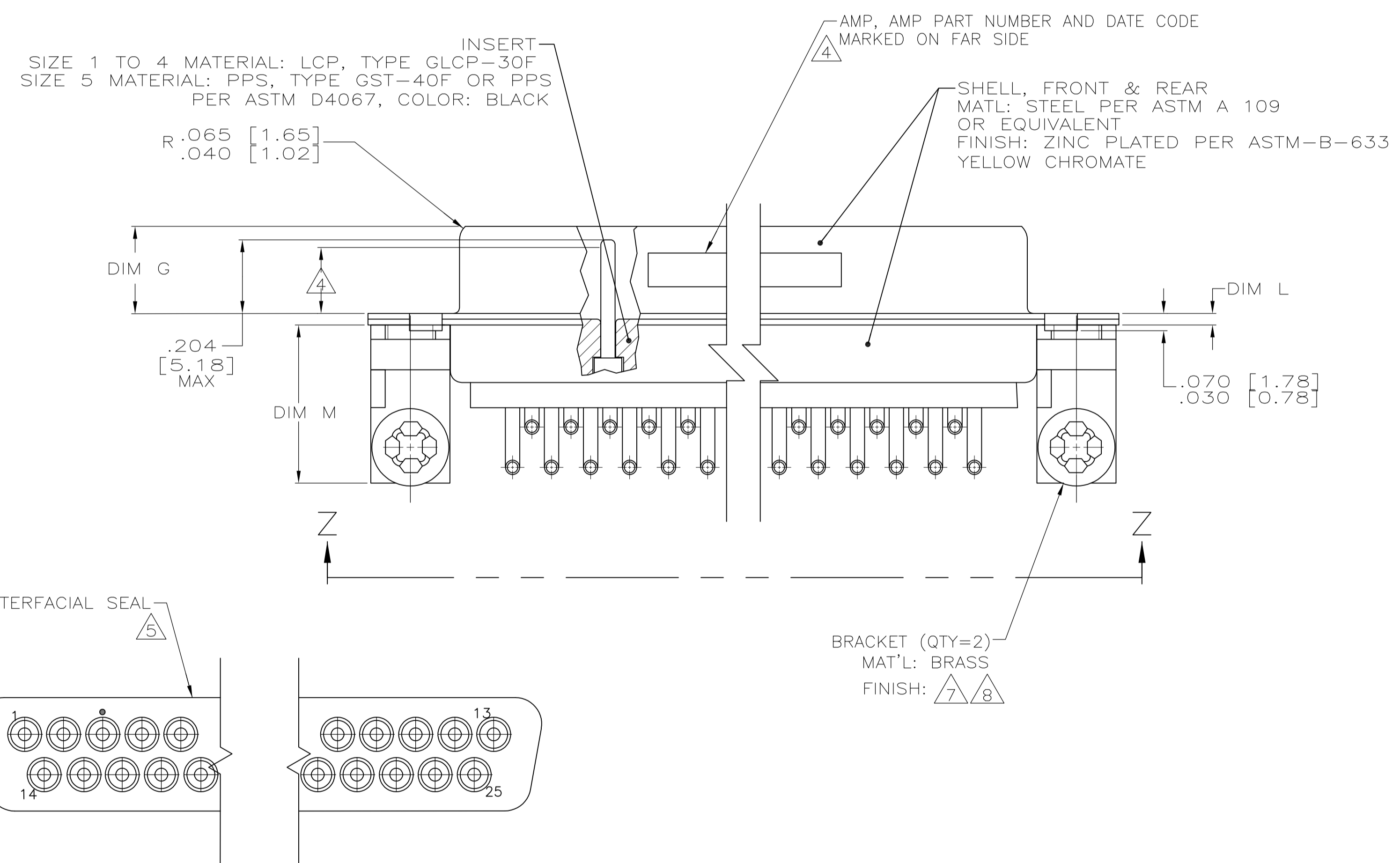


PIN CONTACT (QTY=POSN)  
 MAT'L: BRASS ALLOY PER ASTM-B-16  
 OR BERYLLIUM COPPER  
 FINISH: PLATED GOLD PER ASTM-B-488  
 OVER NICKEL PLATE PER QQ-N-290



VIEW Z-Z  
 SHOWN WITH BRACKET AND ALIGNMENT BOARD AND CLINCH NUTS REMOVED FOR CLARITY



- 1 TRUE POSITION TOLERANCE FOR P.C.BOARD LAYOUT (ON SHEET #2) IS .010 [0.25] AT MAX MATERIAL CONDITION. SUGGESTED BOARD THICKNESS IS .093 [2.36]
- 2 THE CONNECTOR DESCRIBED IN THIS DOCUMENT WILL MATE WITH ANY RECEPTACLE CONNECTOR WITH THE SAME INSERT ARRANGEMENT.
- 3 MARKED WITH .047 [1.19]-.062 [1.57] HIGH CHARACTERS. FAR SIDE REFERS TO THE WIDE SIDE OF THE KEYSTONE. NEAR SIDE REFERS TO THE NARROW SIDE OF THE KEYSTONE. IF THE FRONT SHELL IS TOO SMALL FOR "AMP", AMP PART NUMBER AND DATE CODE, THEN SPLIT SHALL BE AS FOLLOWS:  
 A. AMP PART NUMBER ON REAR SHELL, NEAR SIDE.  
 B. "AMP" AND DATE CODE ON FRONT SHELL, NEAR SIDE.
- 4 REQUIREMENT FOR FULL PIN DIAMETER EXTENSION:
- 5 .150 [3.81] MIN FOR SHELL SIZE 3 & 5.
- 6 INTERFACIAL SEAL IS NOT INSTALLED; BULK PACKAGED SEPARATELY.
- 7 FINISH: MATTE TIN-LEAD OVER NICKEL PLATE.
- 8 FINISH: MATTE TIN OVER NICKEL PLATE.
- 9 ALTERNATE CLINCH NUT (QTY=2): CLINCH NUT, #4-40 FEMALE THREADS MAT'L: CARBON STEEL FINISH: ZINC PLATED, YELLOW CHROMATE

|          |         |              |             |              |               |             |              |              |              |               |               |               |                    |           |            |              |
|----------|---------|--------------|-------------|--------------|---------------|-------------|--------------|--------------|--------------|---------------|---------------|---------------|--------------------|-----------|------------|--------------|
|          | 8       | .498 [12.65] | .049 [1.24] | .544 [13.82] | 2.188 [55.58] | .236 [5.99] | .436 [11.07] | .620 [15.75] | .446 [11.33] | 2.411 [61.24] | 2.084 [52.55] | 2.650 [67.31] | MS18277-1          | 50        | 5          | 5-1218538-5  |
|          | 8       | .443 [11.25] | .049 [1.24] | .432 [10.97] | 1.635 [41.53] | .224 [5.69] | .436 [11.07] | .509 [12.93] | .334 [8.48]  | 1.857 [47.17] | 1.539 [38.51] | 2.103 [53.42] | MS18275-1          | 25        | 3          | 5-1218538-3  |
| OBSOLETE | 7 9     | .498 [12.65] | .049 [1.24] | .544 [13.82] | 2.188 [55.58] | .236 [5.99] | .436 [11.07] | .620 [15.75] | .446 [11.33] | 2.411 [61.24] | 2.084 [52.55] | 2.650 [67.31] | MS18277-1          | 50        | 5          | 1218538-5    |
| OBSOLETE | 7 9     | .443 [11.25] | .049 [1.24] | .432 [10.97] | 1.635 [41.53] | .224 [5.69] | .436 [11.07] | .509 [12.93] | .334 [8.48]  | 1.857 [47.17] | 1.539 [38.51] | 2.103 [53.42] | MS18275-1          | 25        | 3          | 1218538-3    |
|          | REMARKS | DIM M        | DIM L       | DIM J        | DIM H         | DIM G       | DIM F        | DIM E        | DIM D        | DIM C         | DIM B         | DIM A         | INSERT ARRANGEMENT | NO OF POS | SHELL SIZE | AMP PART NO. |

THIS DRAWING IS A CONTROLLED DOCUMENT.

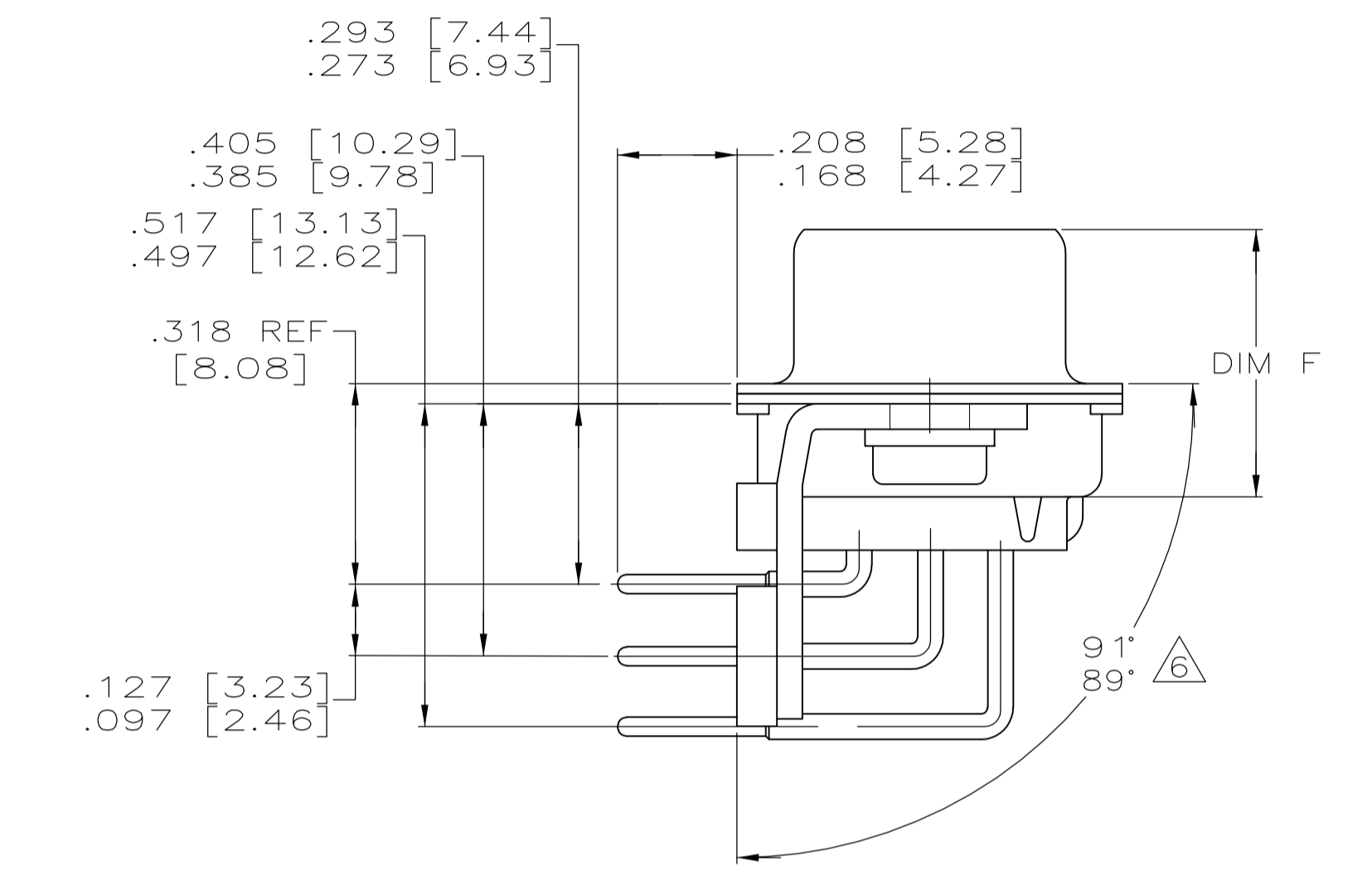
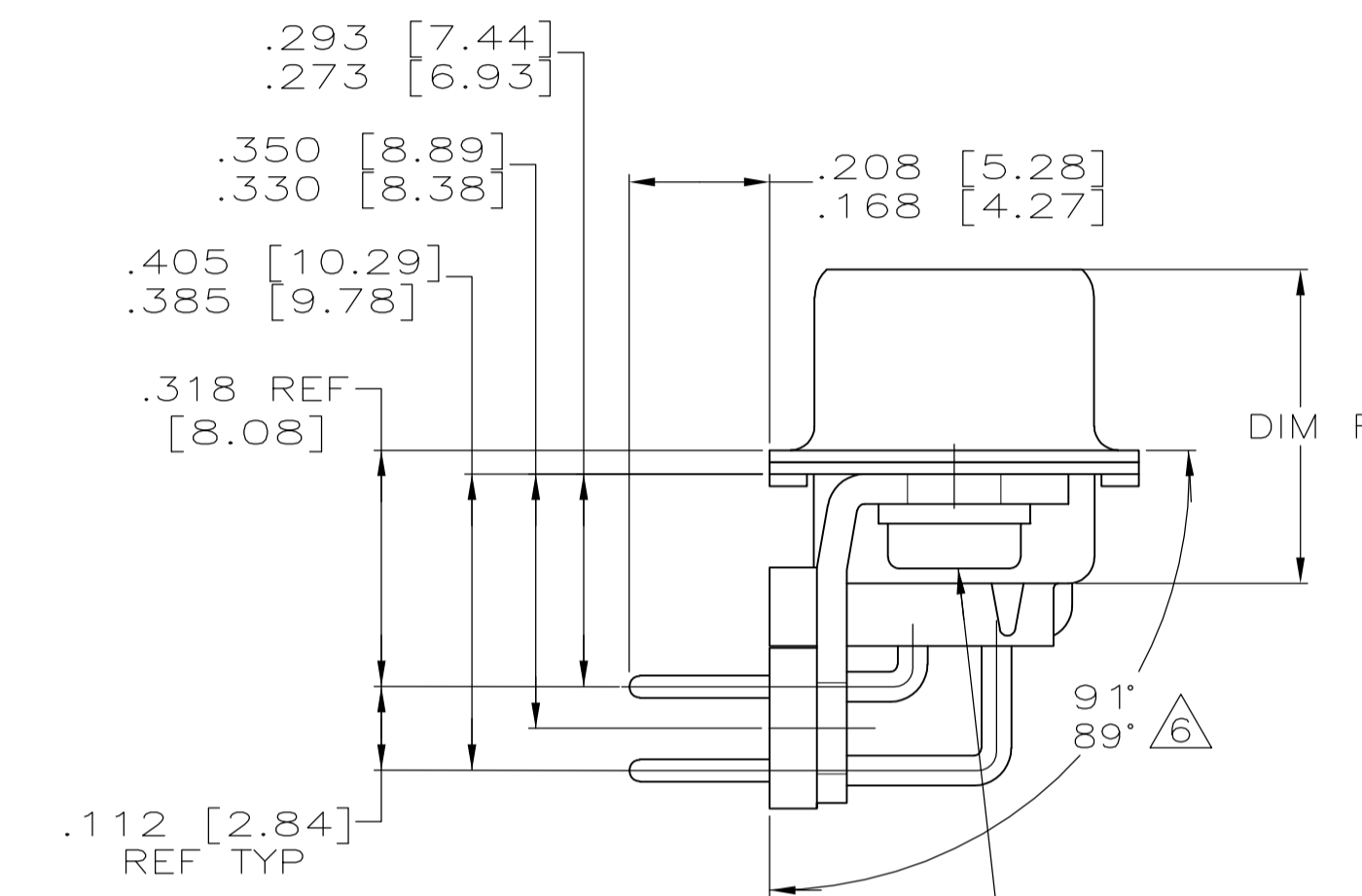
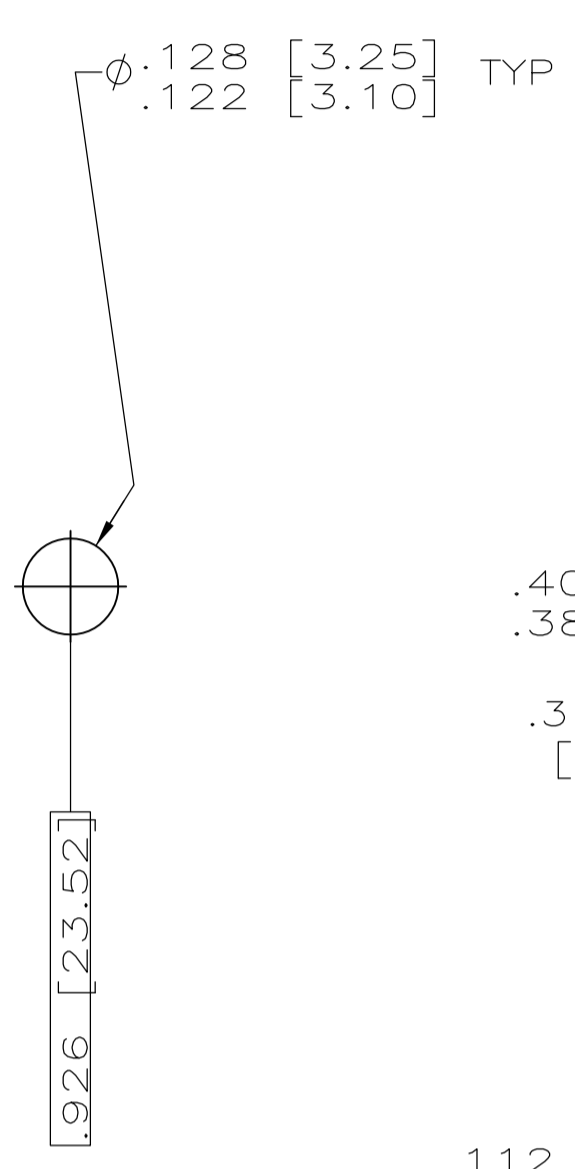
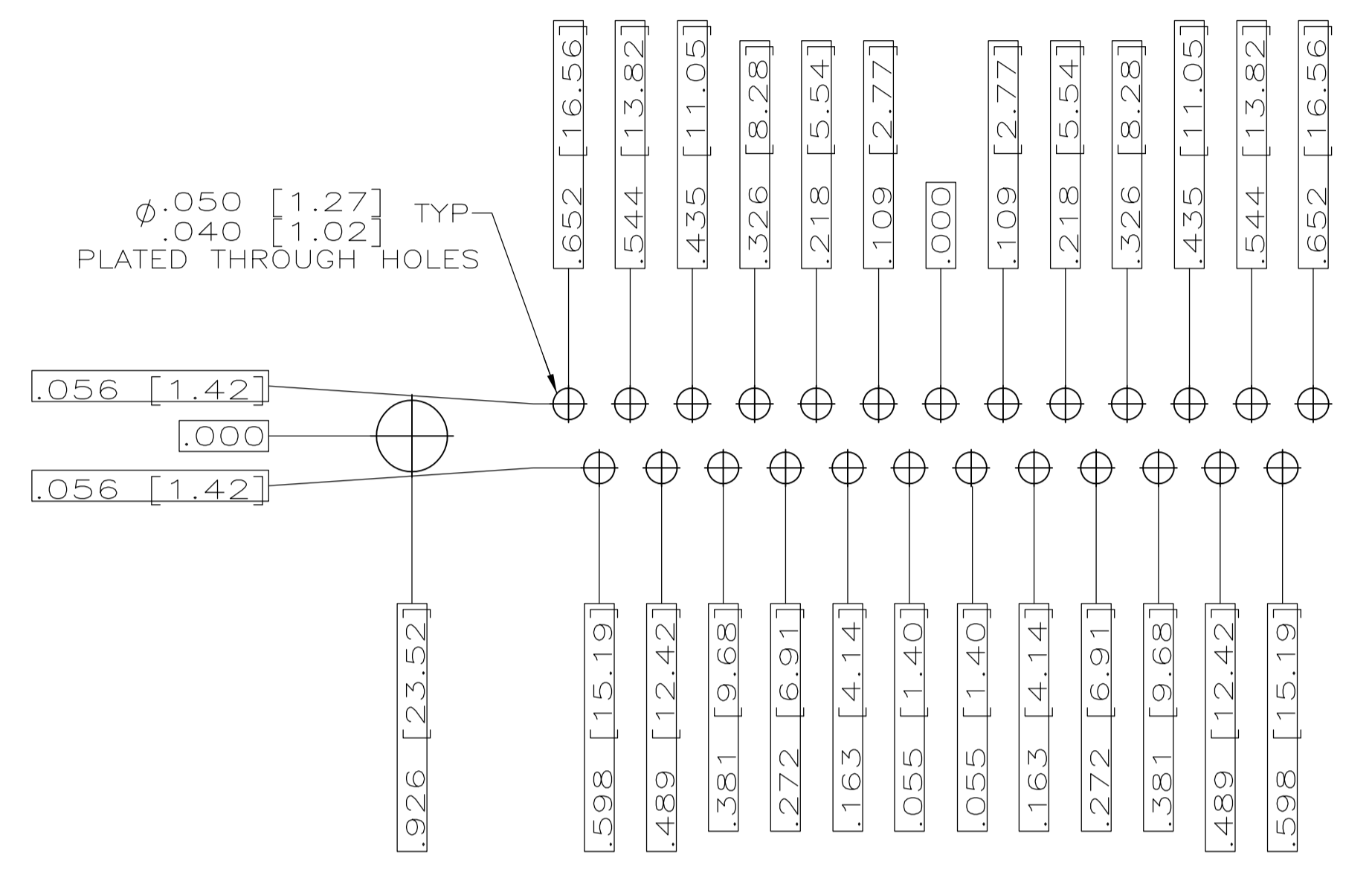
|                  |            |        |
|------------------|------------|--------|
| DIN              | C.C.THOMAS | 5-1-00 |
| CHK              | C.BAKER    | 5-1-00 |
| APVD             | C.BAKER    | 5-1-00 |
| PRODUCT SPEC     |            |        |
| APPLICATION SPEC |            |        |
| WEIGHT           |            |        |
| CUSTOMER DRAWING |            |        |

**STE** TE Connectivity

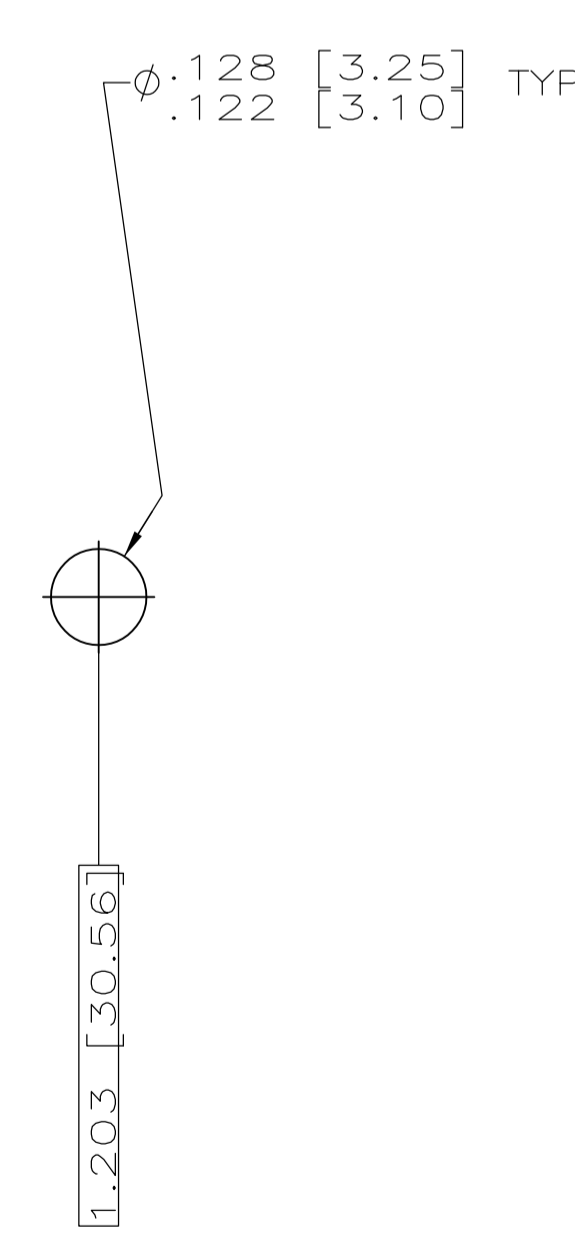
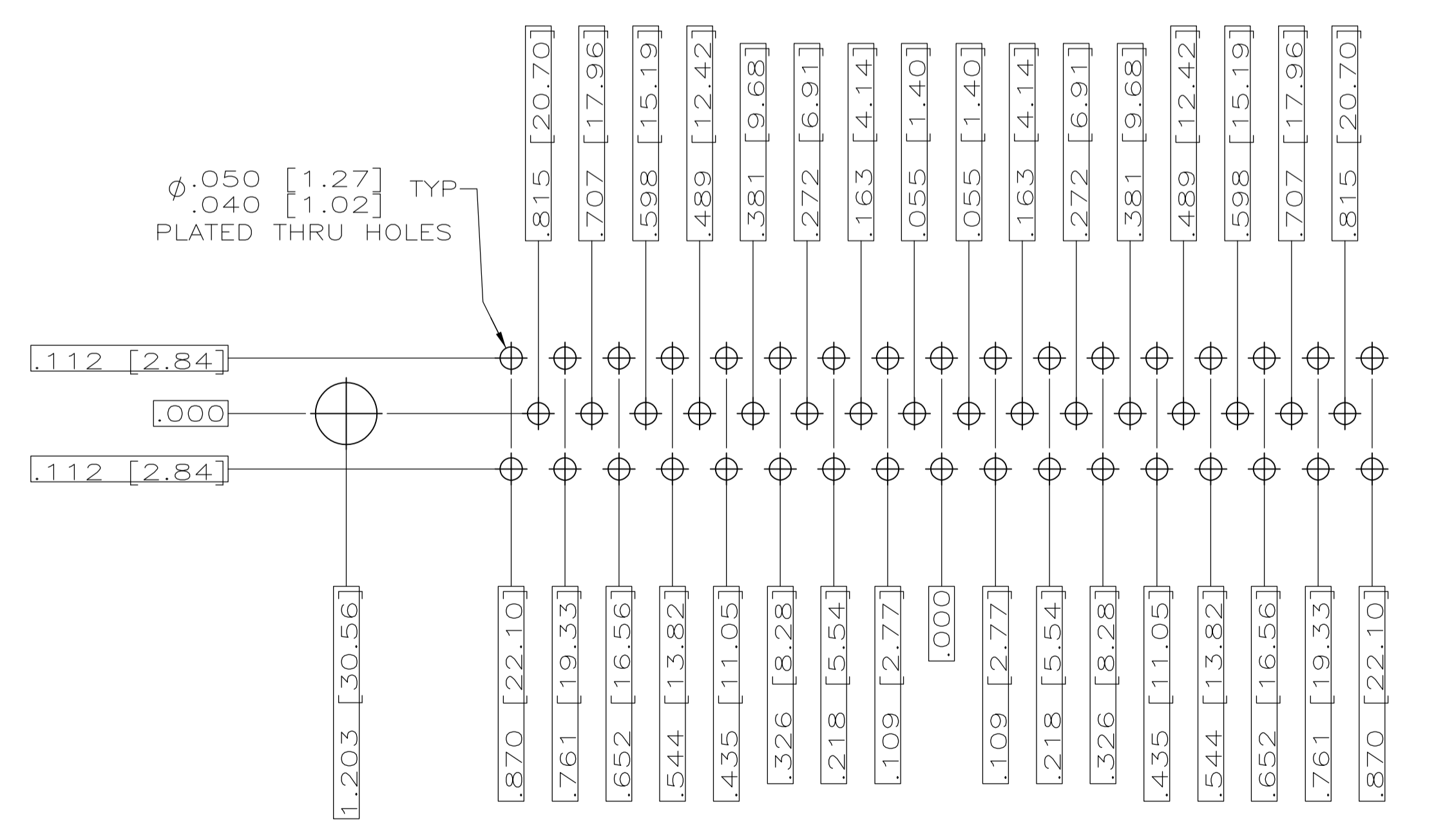
PLUG ASSY,AMPLIMITE RIGHT ANGLE,SERIES 109, WITH ONE PIECE INSERT

SIZE: A1 CAGE CODE: 00779 DRAWING NO: 1218538 RESTRICTED TO: -

SCALE: 4:1 SHEET: 1 OF 2 REV: H



SHELL SIZE 5  
CONTACT CONFIGURATION  
BOARDLOCK REMOVED  
FOR CLARITY



|   |   |                          |   |   |       |   |   |       |   |   |       |   |   |       |   |   |        |   |    |                  |               |
|---|---|--------------------------|---|---|-------|---|---|-------|---|---|-------|---|---|-------|---|---|--------|---|----|------------------|---------------|
| THIS DRAWING IS A CONTROLLED DOCUMENT.  |   | DIN<br>C.C.THOMAS 5-1-00 | <br>TE Connectivity   |   |       |   |   |       |   |   |       |   |   |       |   |   |        |   |    |                  |               |
| DIMENSIONS:<br>INCHES   |   | CHK<br>C.BAKER 5-1-00    |   |   |       |   |   |       |   |   |       |   |   |       |   |   |        |   |    |                  |               |
| TOLERANCES UNLESS OTHERWISE SPECIFIED:  |   | APVO<br>C.BAKER 5-1-00   | NAME<br>PLUG ASSY,AMPLIMITE<br>RIGHT ANGLE,SERIES 109,<br>WITH ONE PIECE INSERT |   |       |   |   |       |   |   |       |   |   |       |   |   |        |   |    |                  |               |
| <table border="1"> <tr><td>0 PLC</td><td>±</td><td>-</td></tr> <tr><td>1 PLC</td><td>±</td><td>-</td></tr> <tr><td>2 PLC</td><td>±</td><td>-</td></tr> <tr><td>3 PLC</td><td>±</td><td>-</td></tr> <tr><td>4 PLC</td><td>±</td><td>-</td></tr> <tr><td>ANGLES</td><td>±</td><td>1°</td></tr> </table> |   | 0 PLC                    | ±   | - | 1 PLC | ± | - | 2 PLC | ± | - | 3 PLC | ± | - | 4 PLC | ± | - | ANGLES | ± | 1° | APPLICATION SPEC | RESTRICTED TO |
| 0 PLC   | ± | -                        |   |   |       |   |   |       |   |   |       |   |   |       |   |   |        |   |    |                  |               |
| 1 PLC   | ± | -                        |   |   |       |   |   |       |   |   |       |   |   |       |   |   |        |   |    |                  |               |
| 2 PLC   | ± | -                        |   |   |       |   |   |       |   |   |       |   |   |       |   |   |        |   |    |                  |               |
| 3 PLC   | ± | -                        |   |   |       |   |   |       |   |   |       |   |   |       |   |   |        |   |    |                  |               |
| 4 PLC   | ± | -                        |   |   |       |   |   |       |   |   |       |   |   |       |   |   |        |   |    |                  |               |
| ANGLES  | ± | 1°                       |   |   |       |   |   |       |   |   |       |   |   |       |   |   |        |   |    |                  |               |
| MATERIAL<br>SEE CALLOUTS  |   | WEIGHT                   | SIZE<br>A1  |   |       |   |   |       |   |   |       |   |   |       |   |   |        |   |    |                  |               |
| FINISH<br>SEE CALLOUTS  |   | CUSTOMER DRAWING         | SCALE 4:1 SHEET 2 OF 2 REV H  |   |       |   |   |       |   |   |       |   |   |       |   |   |        |   |    |                  |               |
|   |   | DRAWING NO<br>00779      | DRAWING NO<br>1218538   |   |       |   |   |       |   |   |       |   |   |       |   |   |        |   |    |                  |               |