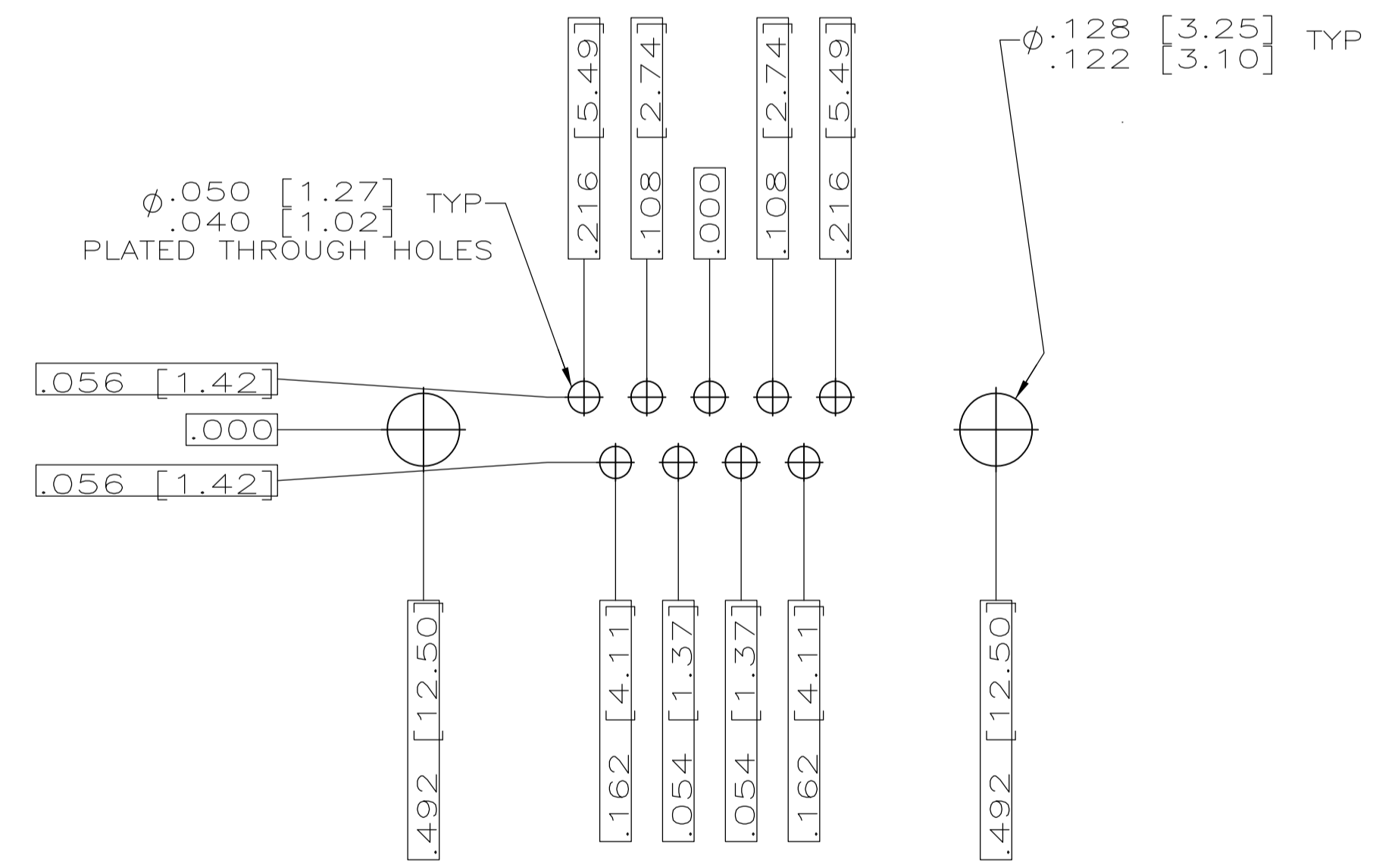
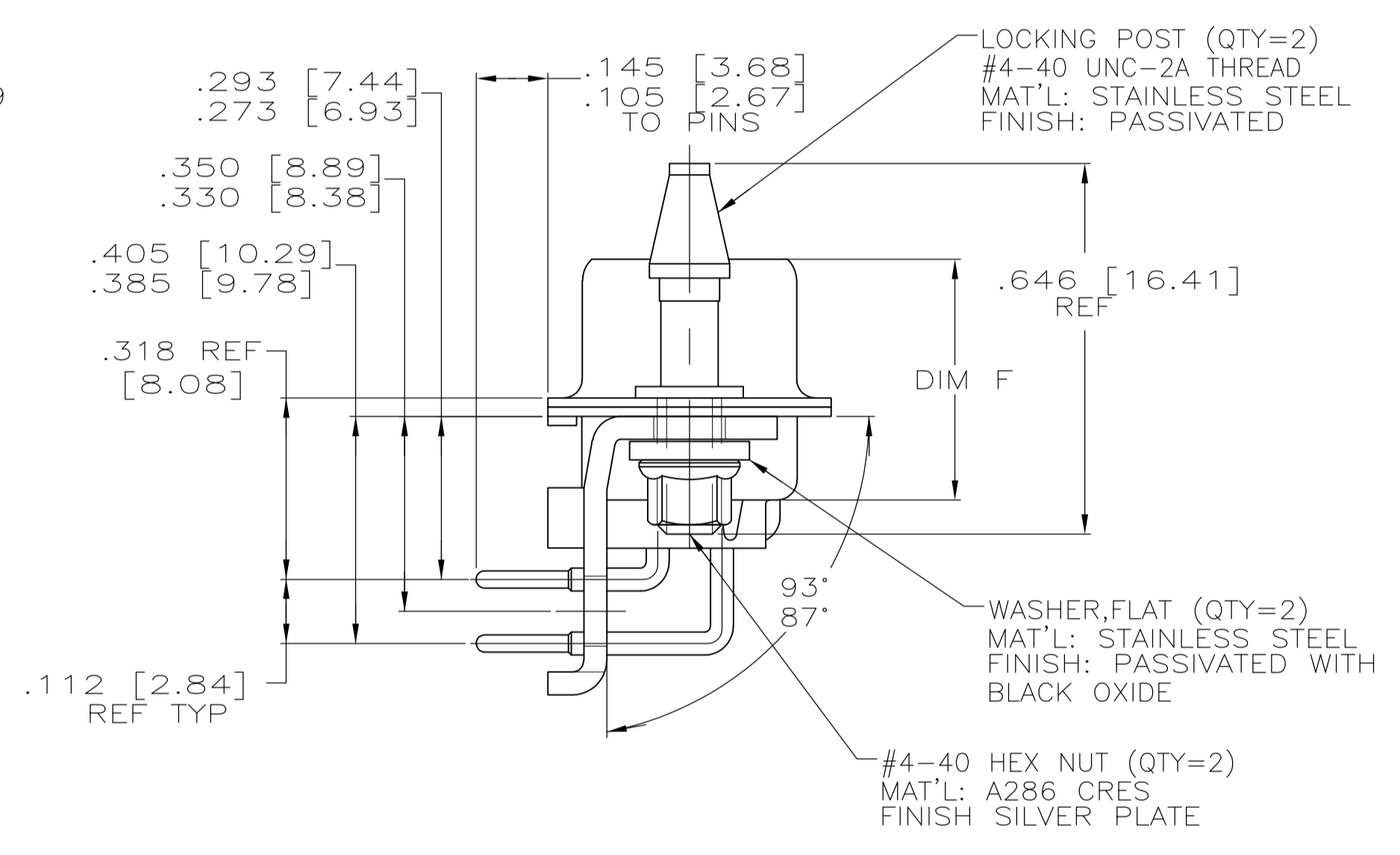
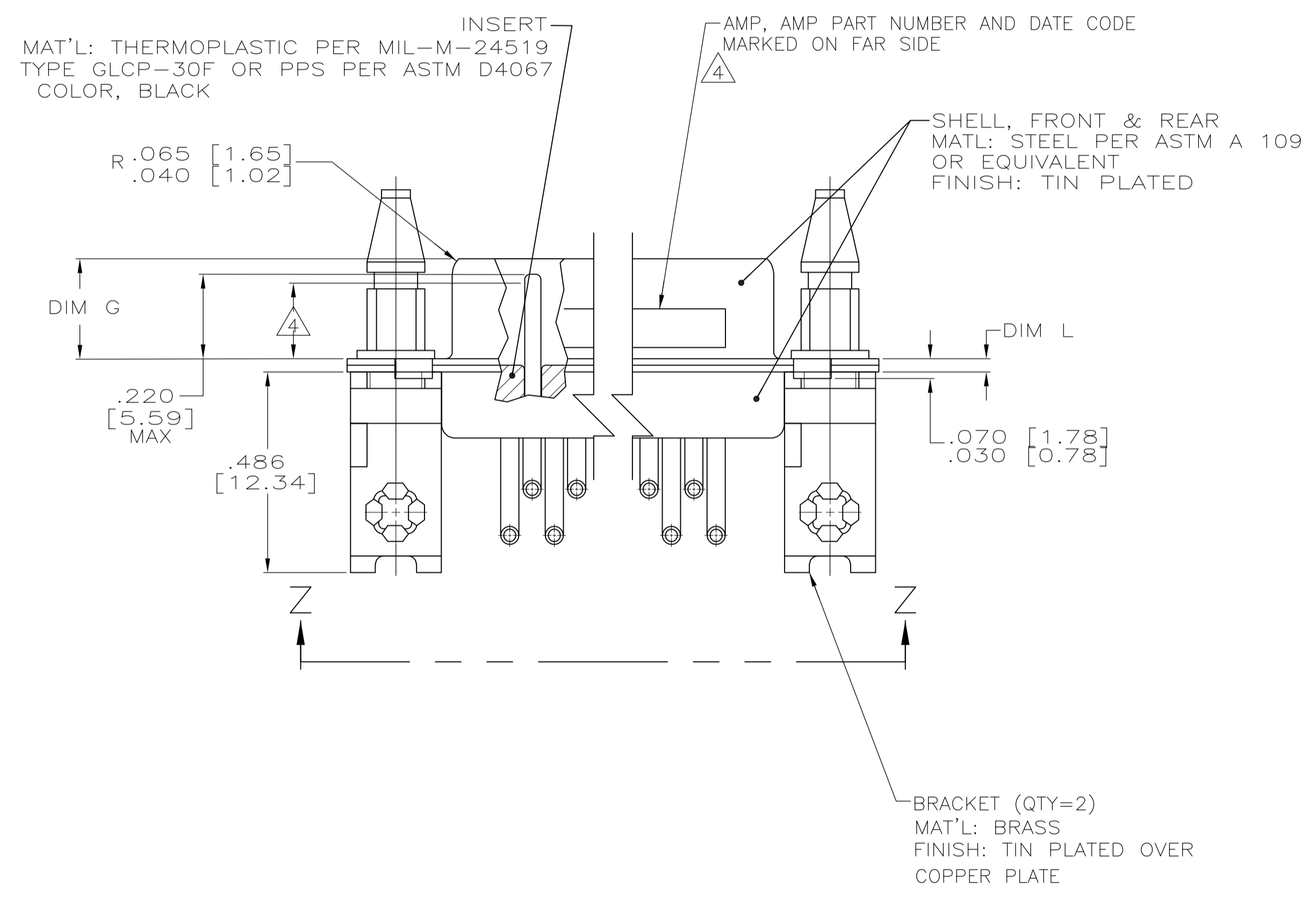
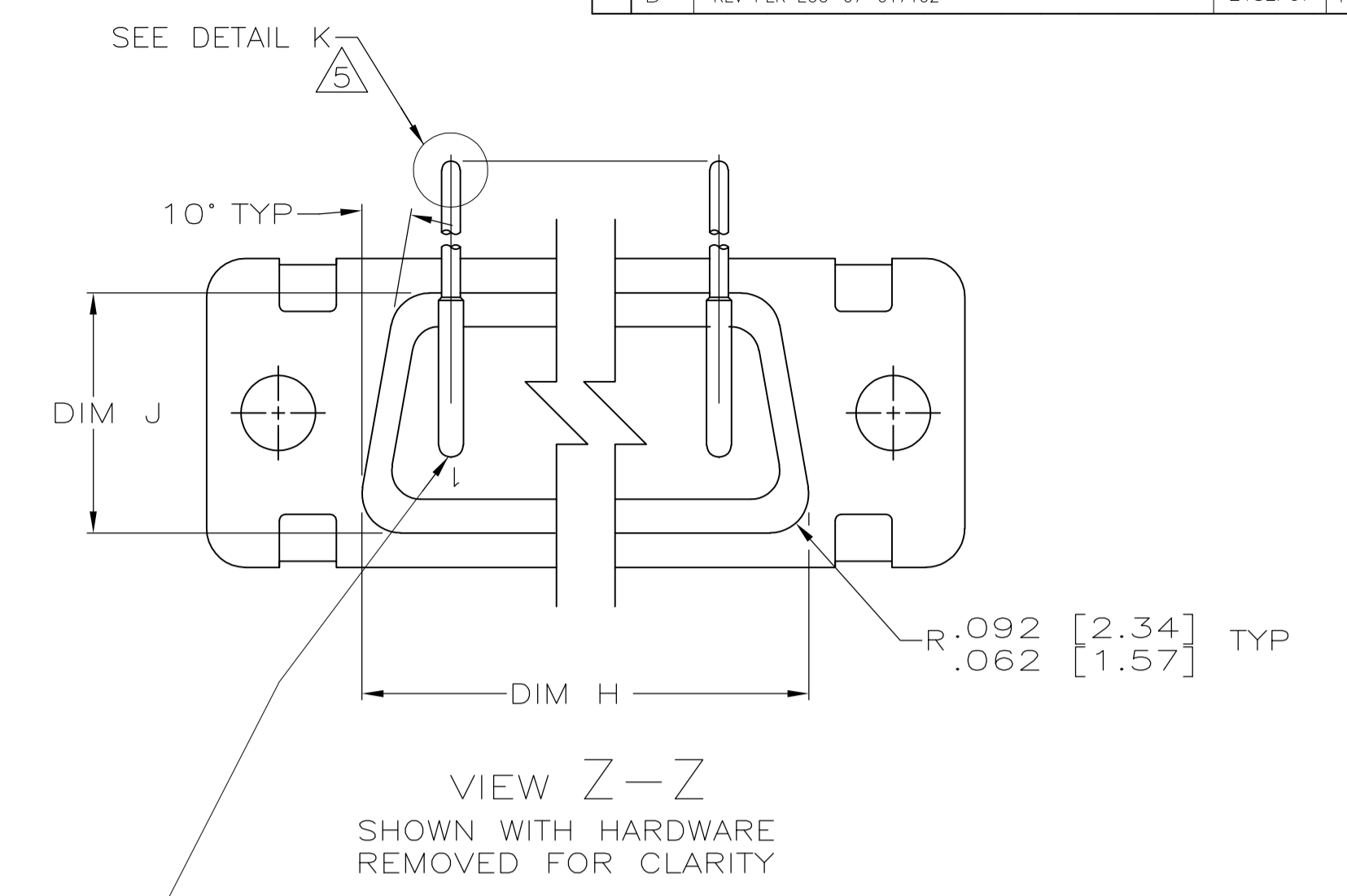
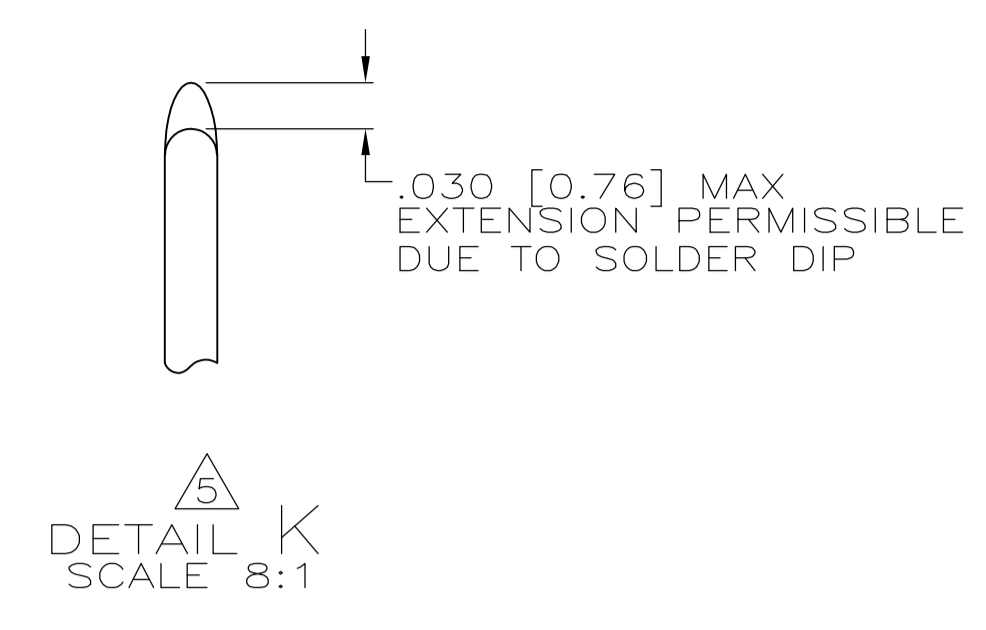
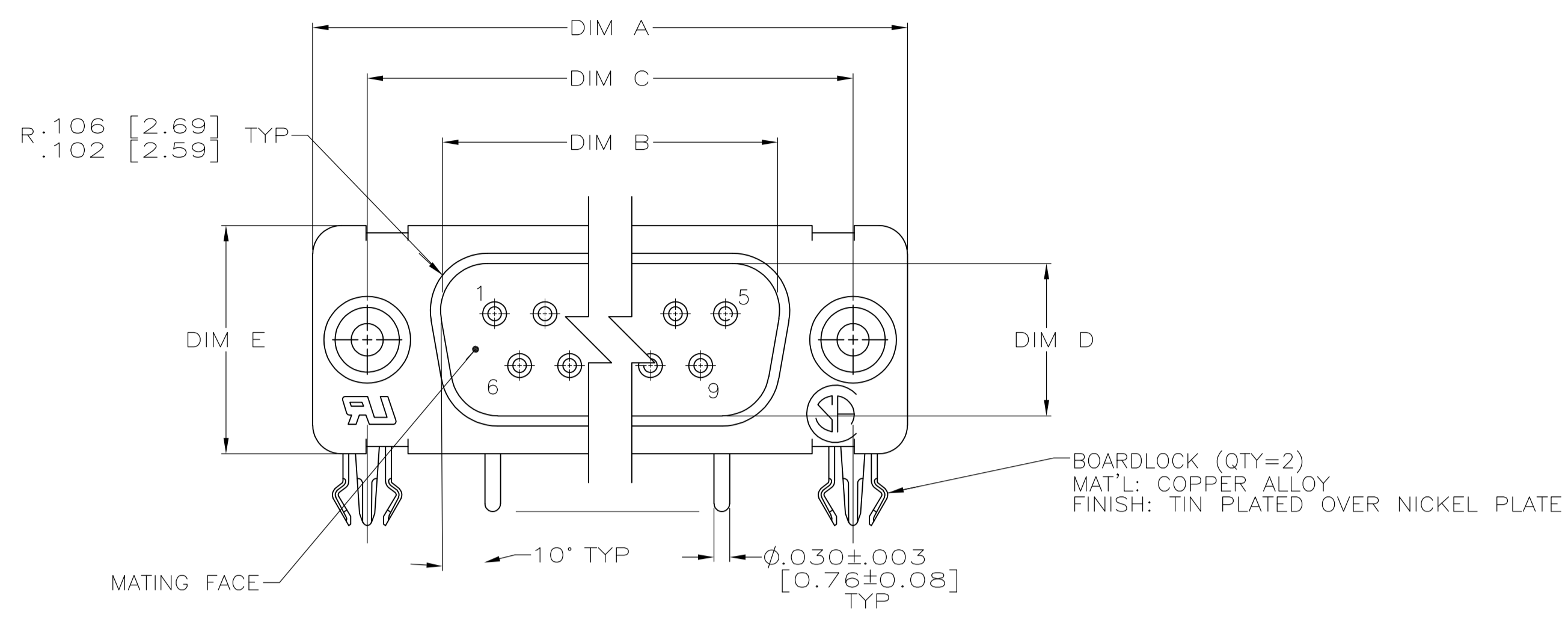


REVISONS		DATE	BY	APVD
NO.	DESCRIPTION			
D	REV PER ECO-07-017102	21SEP07	PY	BW



- 1. TRUE POSITION TOLERANCE FOR P.C. BOARD LAYOUT IS .010 [0.25] AT MAX MATERIAL CONDITION. SUGGESTED BOARD THICKNESS IS .077±.005 [1.96±0.13]
- 2. THE CONNECTOR DESCRIBED IN THIS DOCUMENT WILL MATE WITH ANY RECEPTACLE CONNECTOR WITH THE SAME INSERT ARRANGEMENT.
- 3. MARKED WITH .047 [1.19]-.062 [1.57] HIGH CHARACTERS. FAR SIDE REFERS TO THE WIDE SIDE OF THE KEYSTONE. NEAR SIDE REFERS TO THE NARROW SIDE OF THE KEYSTONE. IF THE FRONT SHELL IS TOO SMALL FOR "AMP", AMP PART NUMBER AND DATE CODE, THEN SPLIT SHALL BE AS FOLLOWS:
 - A. AMP PART NUMBER ON REAR SHELL, FAR SIDE.
 - B. "AMP" AND DATE CODE ON FRONT SHELL, FAR SIDE.
- 4. REQUIREMENT FOR FULL PIN DIAMETER EXTENSION: .159 [4.04] MIN FOR SHELL SIZE 1
- 5. SIGNAL CONTACTS ARE SOLDER DIPPED WITH SnPb 63/37 TO MEET THE REQUIREMENTS OF MIL-STD-202, METHOD 208.

.040 [1.02]	.020 [0.51]	.432 [10.97]	.412 [10.46]	.769 [19.53]	.749 [19.02]	.238 [6.05]	.229 [5.82]	.432 [10.97]	.412 [10.46]	.509 [12.93]	.479 [12.17]	.334 [8.48]	.324 [8.23]	.989 [25.12]	.979 [24.87]	.671 [16.46]	.661 [16.21]	1.228 [31.19]	1.198 [30.43]	MS18273-1	9	1	1218606-6
DIM L	DIM J	DIM H	DIM G	DIM F	DIM E	DIM D	DIM C	DIM B	DIM A	INSERT ARRANGEMENT	NO OF POS	SHELL SIZE	AMP PART NO.										

THIS DRAWING IS A CONTROLLED DOCUMENT.		DIN C.C. THOMAS 1-6-00		Tyco Electronics Corporation Harrisburg, PA 17105-3608	
DIMENSIONS: INCHES	TOLERANCES UNLESS OTHERWISE SPECIFIED:	APVD	NAME	PRODUCT SPEC	APPLICATION SPEC
0 PLC ± -	1 PLC ± -	---	---	---	---
2 PLC ± -	3 PLC ± .005 [0.13]	---	---	---	---
4 PLC ± -	ANGLES ± 1°	---	---	---	---
MATERIAL SEE CALLOUTS	FINISH SEE CALLOUTS	WEIGHT	SIZE	CAGE CODE	DRAWING NO
---	---	---	A1	00779	1218606
CUSTOMER DRAWING		SCALE	SHEET	REV	D
---		4:1	1 OF 1	---	---