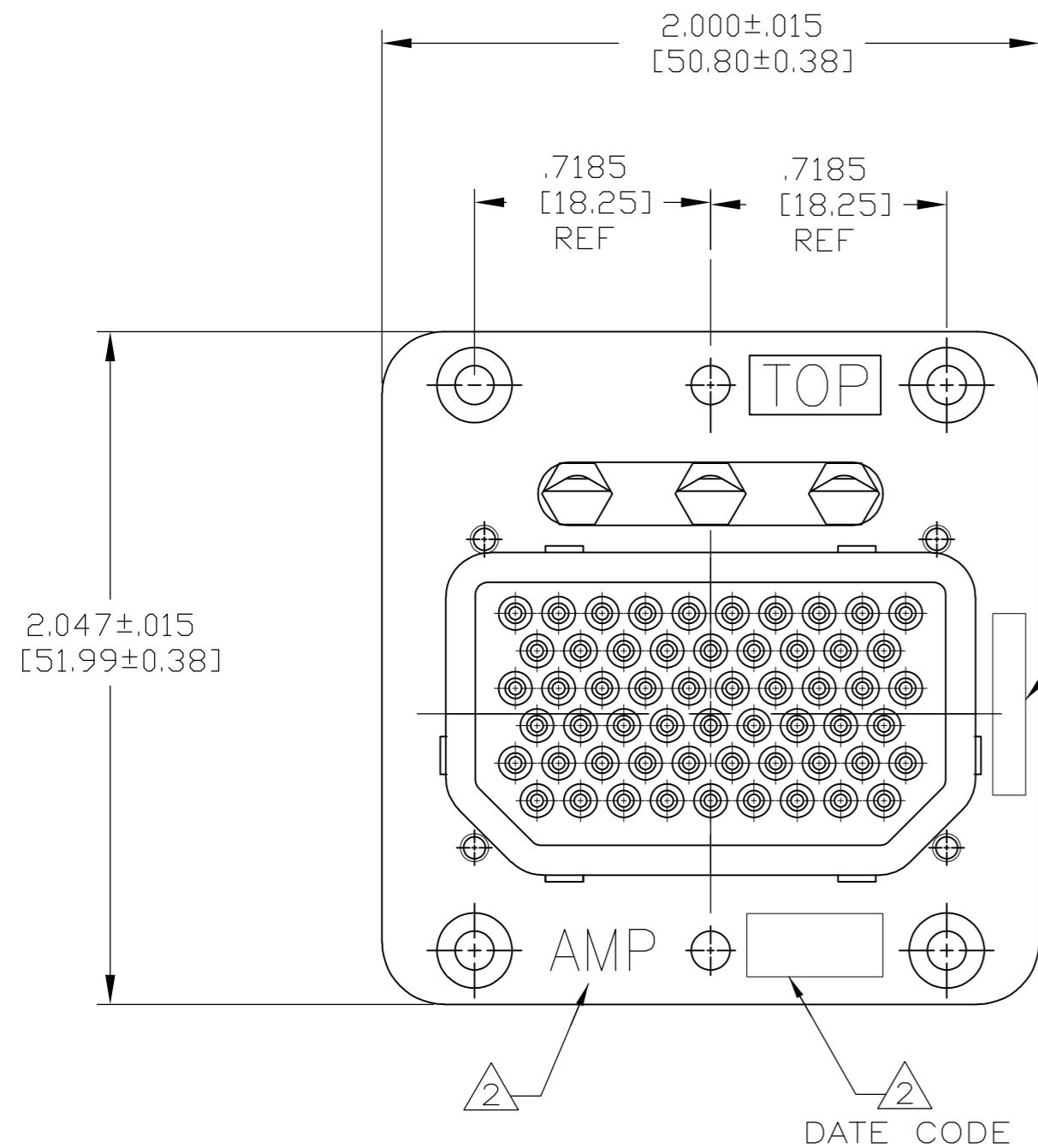
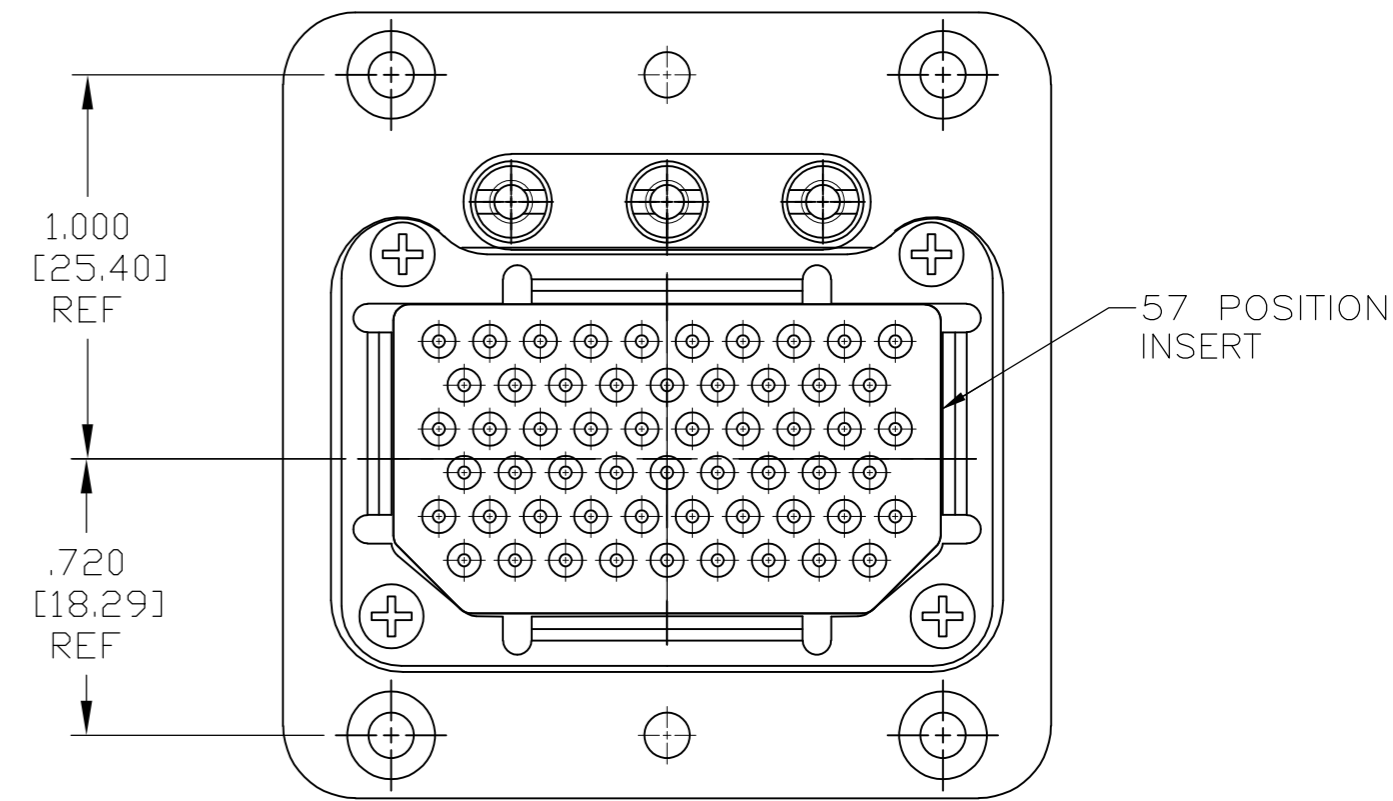
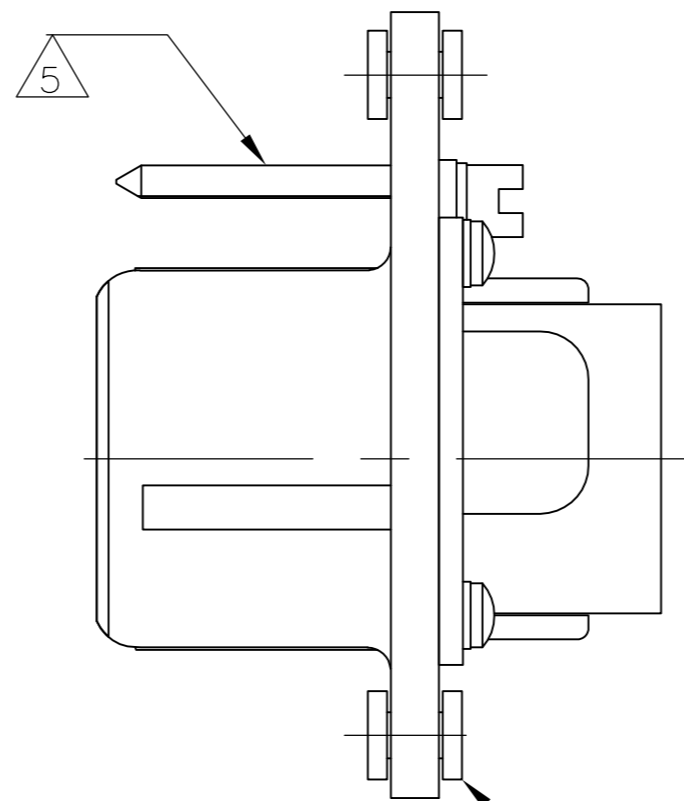


THIS DRAWING IS UNPUBLISHED. RELEASED FOR PUBLICATION  
 © COPYRIGHT - By - ALL RIGHTS RESERVED.

LOC		DIST		REVISIONS			
P	LTR	DESCRIPTION		DATE	DWN	APVD	
-	-	C	REVISED PER ECO-15-011840	17NOV15	RS	CT	



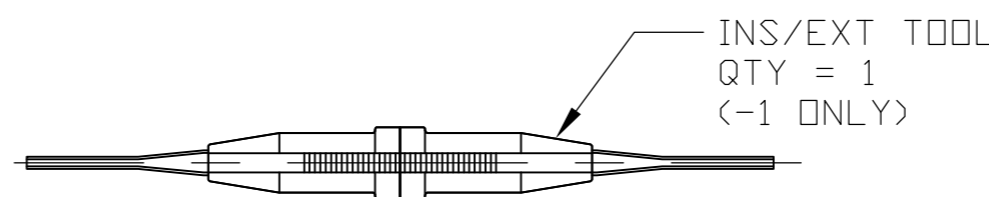
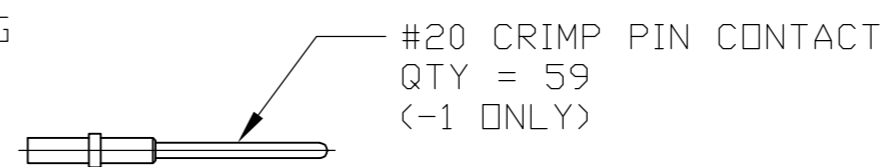
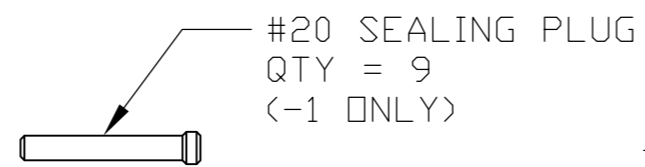
1 DESCRIPTIVE AND TE PART NUMBER



FLOAT BUSHINGS INSTALLED ON -1 ONLY

1218638-1 SHOWN

- 1 TE PART NO. AND DESCRIPTIVE PART NO. MARKED IN THIS AREA.
- 2 "AMP" AND DATE CODE MARKED IN THIS AREA.
- 3. KEYING ASSEMBLED IN THE "01" POSITION.
- 4. MATERIAL AND FINISH:  
 SHELL: DIE CAST ALUMINUM ALLOY PER SPEC QQ-A-591.  
 STANDARD FINISH: CADMIUM PLATE PER QQ-P-416, TYPE I, CLASS 2 YELLOW CHROMATE CONVERSION.  
 INSERT RETENTION PLATE: ALUMINUM ALLOY, BLUE ANODIZE PER MIL-A-8625.  
 SCREWS AND WASHERS: STAINLESS STEEL, PASSIVATED.  
 POLARIZING POSTS: STAINLESS STEEL, PASSIVATED.  
 POLARIZING NUTS: BRASS, CADMIUM PLATED.
- 5 KEYING POSTS NOT ASSEMBLED AND PACKAGED SEPARATELY. (-2 & -3)
- 6 1218638-2 SUPPLIED WITH 59 SIZE 20 SOCKET CONTACTS.
- 7 1218638-3 SUPPLIED WITH 66 SIZE 20 SOCKET CONTACTS.



OBsolete	5 7	M1P67S-00 (206)	1218638-3
OBsolete	5 6	M1P57S-00 (206)	1218638-2
		MME1P57P-2301 (204)	1218638-1
REMARKS		DESCRIPTIVE NO.	PART NO.

THIS DRAWING IS A CONTROLLED DOCUMENT.		DWN	3-13-14	TE Connectivity	
DIMENSIONS: INCHES		CHK	C.C.THOMAS	NAME	
TOLERANCES UNLESS OTHERWISE SPECIFIED:		APVD	D.EABY	CONNECTOR ASSY,ARINC 404	
0 PLC ± -		PRODUCT SPEC	D.EABY	SIZE	CAGE CODE
1 PLC ± -		APPLICATION SPEC		DRAWING NO	RESTRICTED TO
2 PLC ± -				A2 00779	1218638
3 PLC ± -				SCALE	SHEET
4 PLC ± -				2:1	1 of 1
ANGLES ± -		WEIGHT		REV	C
FINISH		CUSTOMER DRAWING			