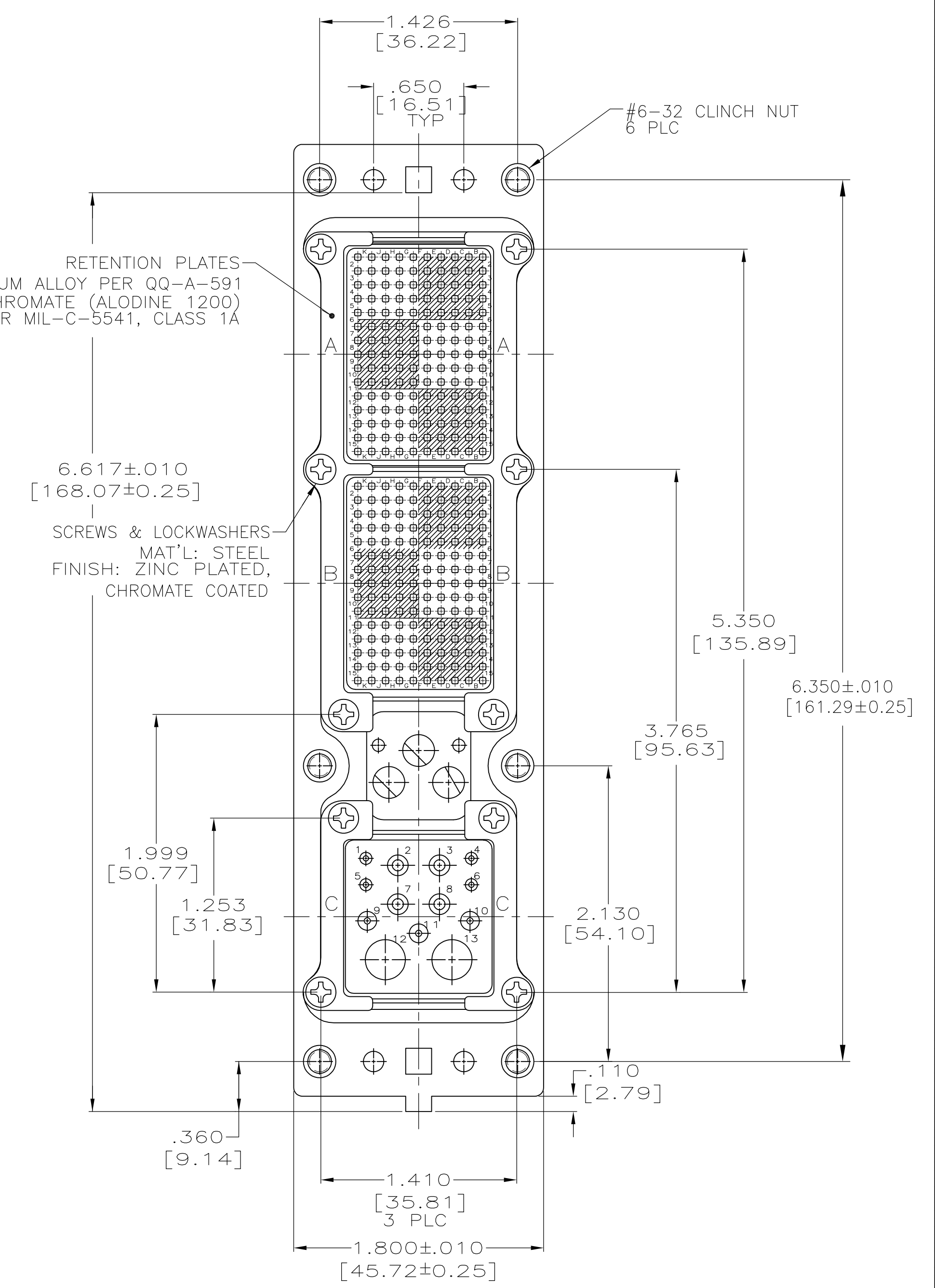
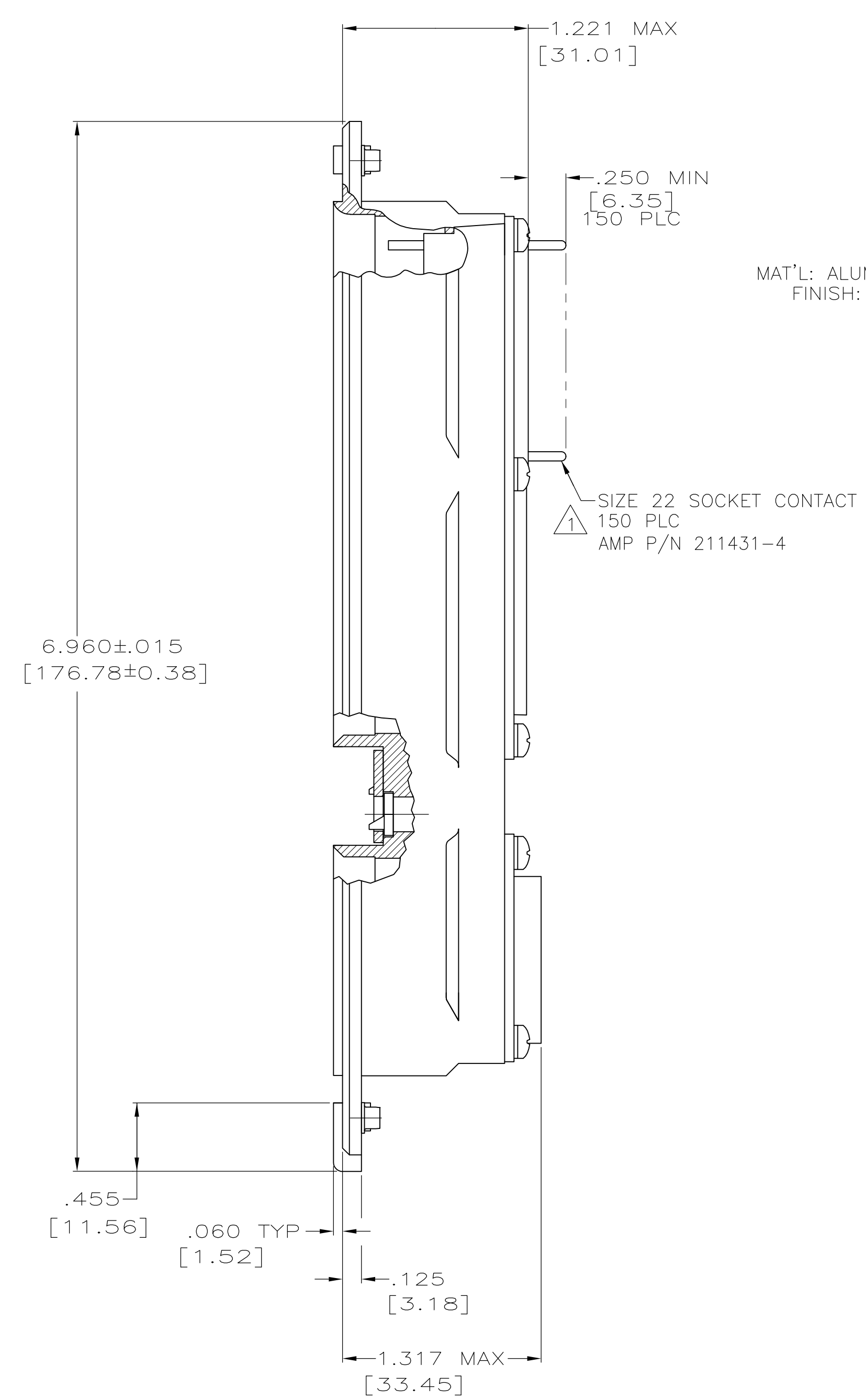
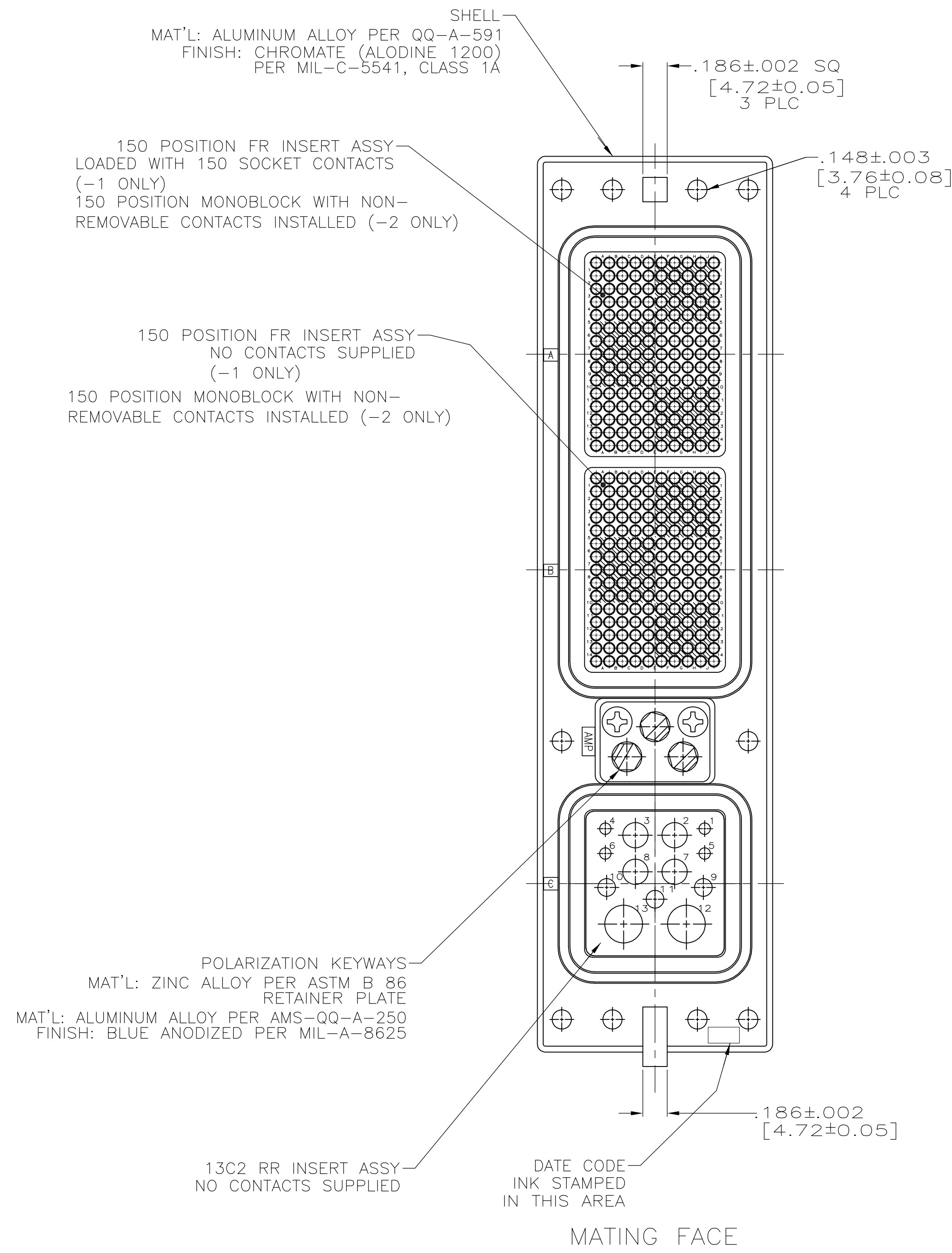


LOC		DIST		REVISIONS			
P	LTR	DESCRIPTION	DATE	DNW	APVD		
E	REV PER ECO	15-002091	2-23-15	CT	WB		



- CONTACTS ARE LOADED IN THE 150 POSITION INSERT IN MODULE "A" ONLY. (-1 ONLY)
ALL OTHER CONTACTS ARE NOT SUPPLIED AND MUST BE ORDERED SEPARATELY.
- POLARIZING KEYS ARE INSTALLED IN POSITION 50.

WITH STAMPED & FORMED NON-REMOVABLE CONTACTS	1218657-2
	1218657-1
REMARKS	PART NO.

THIS DRAWING IS A CONTROLLED DOCUMENT.

DTN: C.C. THOMAS 3-15-00
 CHK: S. GLATFELTER 3-15-00
 APVD: S. GLATFELTER 3-15-00

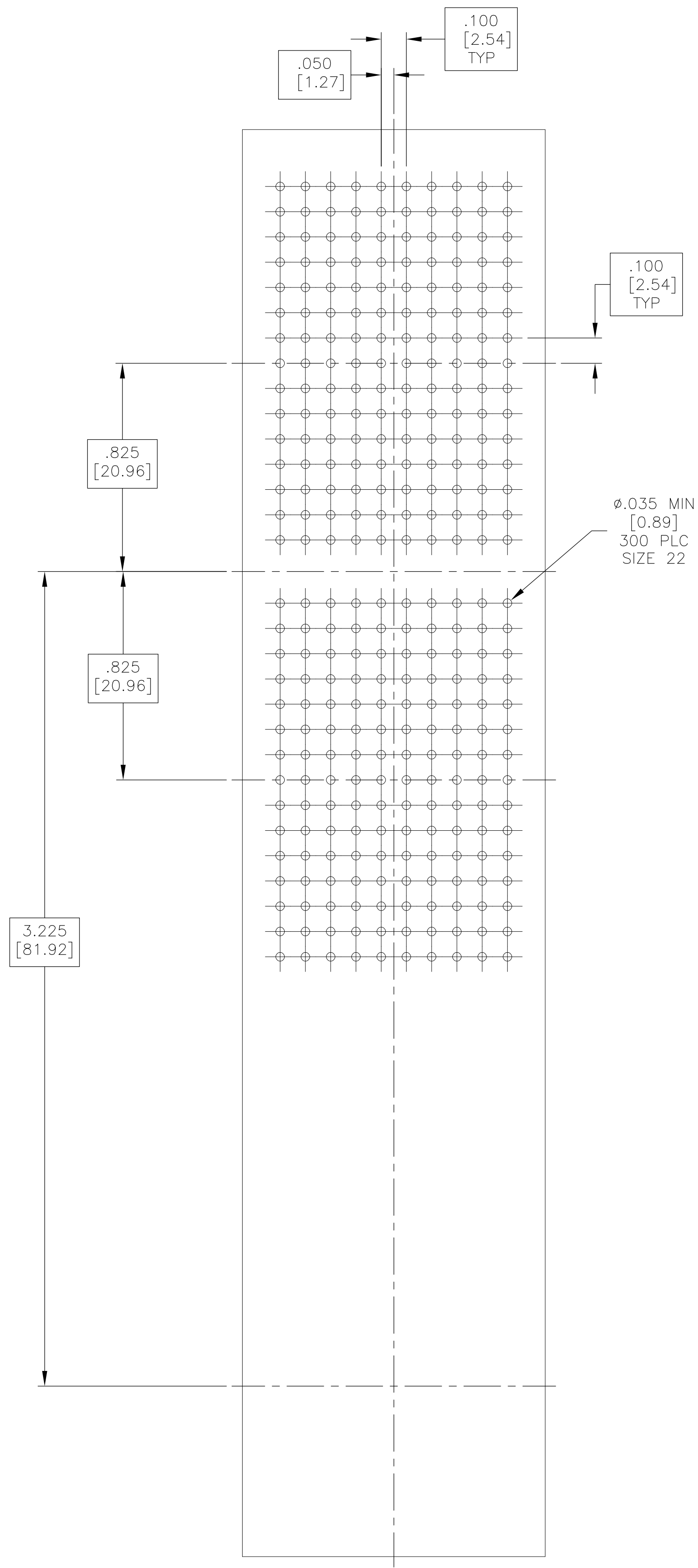
NAME: CONNECTOR ASSY, SIZE 2 CLASS (FA), RCPT, ARINC-600

SIZE: A1 CAGE CODE: 00779 DRAWING NO: 1218657

RESTRICTED TO: CUSTOMER DRAWING

SCALE: 3:2 SHEET: 1 OF 2 REV: E

LOC		DIST		REVISIONS			
P	LTR	DESCRIPTION	DATE	DNW	APVD		
-	-	SEE SHEET-1	-	-	-	-	-



RECOMMENED P.C.BOARD LAYOUT
 SCALE 3:1

THIS DRAWING IS A CONTROLLED DOCUMENT.		DIN C.C.THOMAS 3-15-00	TE Connectivity	
DIMENSIONS: INCHES		CHK S.GLATFELTER 3-15-00	NAME CONNECTOR ASSY, SIZE 2 CLASS (FA), RCPT, ARINC-600	
		APVD S.GLATFELTER 3-15-00	RESTRICTED TO	
0. PLC ± - 1. PLC ± - 2. PLC ± - 3. PLC ± .005 [0.13] 4. PLC ± - ANGLES ± - 40° 40'		PRODUCT SPEC	SIZE A1	CAGE CODE 00779
MATERIAL SEE CALLOUTS		APPLICATION SPEC	DRAWING NO 1218657	REV E
FINISH SEE CALLOUTS		WEIGHT	SCALE 3:2	SHEET 2 OF 2
CUSTOMER DRAWING				