

IACM Series

**Slim Line
AC Input Module**

UL File E29244

Users should thoroughly review the technical data before selecting a product part number. It is recommended that users also seek out the pertinent approvals files of the agencies/laboratories and review them to ensure the product meets the requirements for a given application.

Features

- Slim line .4" (10.16mm) thick package.
- Foot print same as .6" (15.24mm) thick package.
- 4000V rms optical isolation.
- Color coded by function.
- High immunity to false operation.
- Series compatible.
- Compatible with 2IOM series mounting boards.

Engineering Data

- Switch Form:** 1 Form A (SPST-NO)
- Duty:** Continuous.
- Operating Temperature:** -30°C to +80°C.
- Storage Temperature:** -30°C to 100°C.
- Potting Compound Flammability:** UL94V-0.
- Solderability:** 260°C for 5 seconds, maximum.
- Approximate Weight:** .87 oz. (22.1g).

Ordering Information

Typical Part Number >

IACM -5 A

1. Basic Series: IACM = Slim line AC input module — yellow case

2. Logic Voltage: 5 = 5VDC
15 = 15VDC
24 = 24VDC

3. Input: Blank = 120VAC input (90-140VAC) **
A = 240VAC input (180-280VAC) **
E = 18-36VAC input **

** Is not polarity sensitive.

Our authorized distributors are more likely to maintain the following items in stock for immediate delivery.

- IACM-5
- IACM-5A
- IACM-5E
- IACM-15

IACM Series (Continued)

AC Input Module

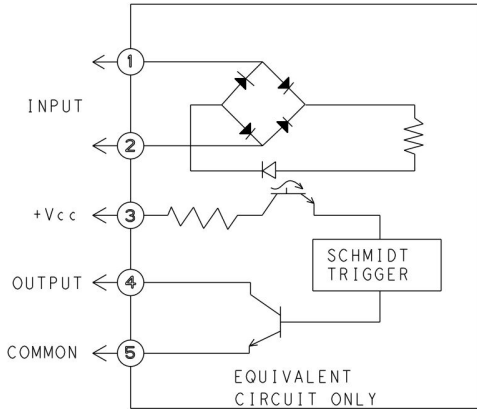
Input Specifications

Parameter	Conditions	Units	IACM-5			IACM-5A			IACM-5E		
			IACM-15	IACM-24		IACM-15A	IACM-24A		IACM-15E	IACM-24E	
Control Voltage Range V_{IN}		VAC	Min. 90	Typ. 120	Max. 140	Min. 180	Typ. 240	Max. 280	Min. 18	Typ. 24	Max. 36
Must Operate Voltage $V_{IN(OP)}$		VAC	90			180			18		
Must Release Voltage $V_{IN(REL)}$		VAC	60			60			10		
Max. Input Current	@ $V_{IN} = \text{Max.}$	mA	1 - 5			1 - 8			0.2 - 2.0		
Input Resistance		Ohms	28K			35K			18K		

Output Specifications (@ +25°C unless otherwise specified)

Parameter	Conditions	Units	IACM-5			IACM-15			IACM-24		
			IACM-5A	IACM-5E		IACM-15A	IACM-15E		IACM-24A	IACM-24E	
Maximum Output Voltage		VDC	30			30			30		
Maximum Output Current I_{SINK}		mADC	50			50			50		
Maximum Output Leakage Current	$V_{OUT} = \text{Max.}$	mA	10			10			10		
Maximum Output Voltage Drop	$I_{SINK} = 50\text{mA}$	VDC	0.2			0.2			0.2		
Logic Supply Voltage V_{CC}		VDC	3	5	6	12	15	18	20	24	30
Maximum Logic Supply Current	$V_{CC} = \text{Max.}$	mADC	15			15			15		
Turn-On Time (Nominal)	$I_{SINK} = 25\text{mA}$	ms	20			20			20		
Turn-Off Time (Nominal)	$I_{SINK} = 25\text{mA}$	ms	30			30			30		
Output Type (Open Collector)			Normally Open ($I_{SINKING}$)			Normally Open ($I_{SINKING}$)			Normally Open ($I_{SINKING}$)		

IACM Operating Diagram



Outline Dimensions

