

THIS DRAWING IS UNPUBLISHED.

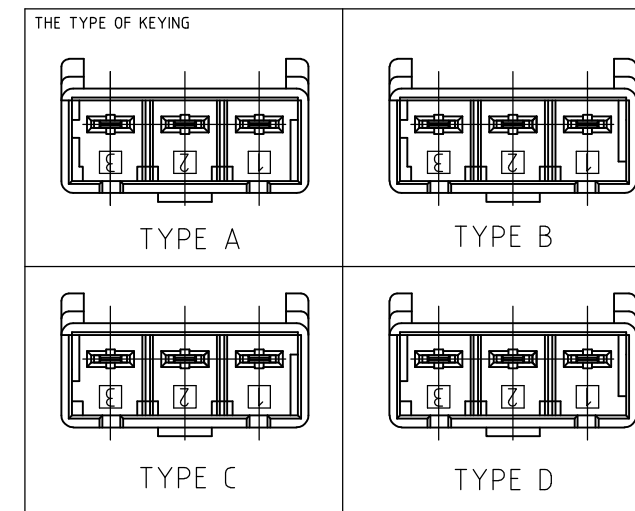
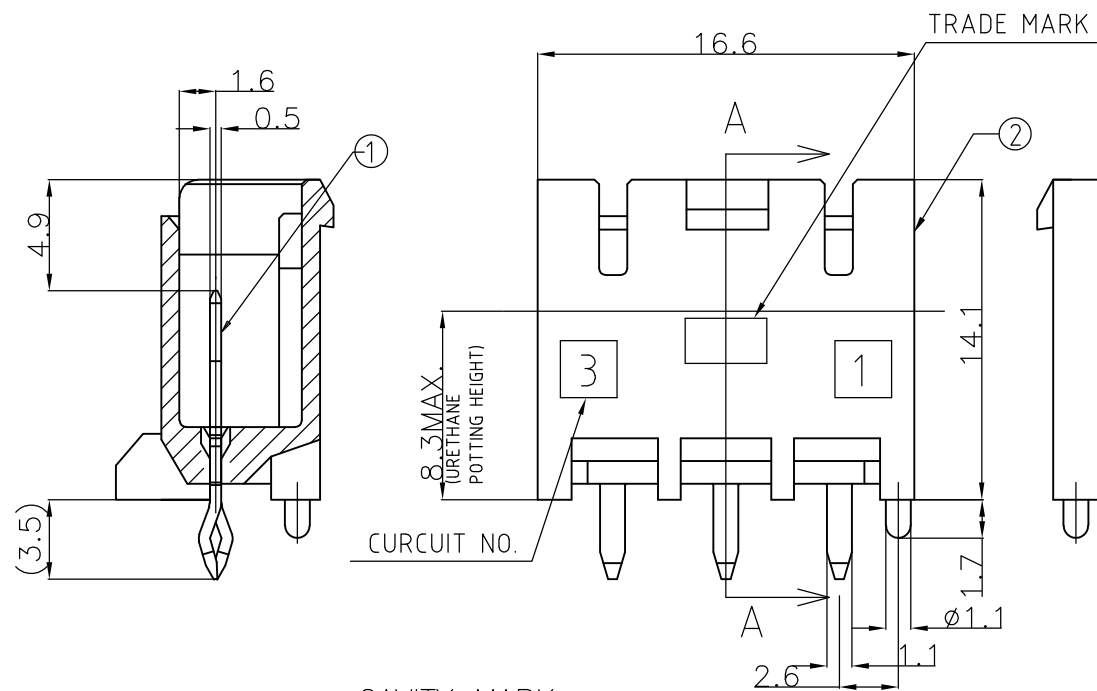
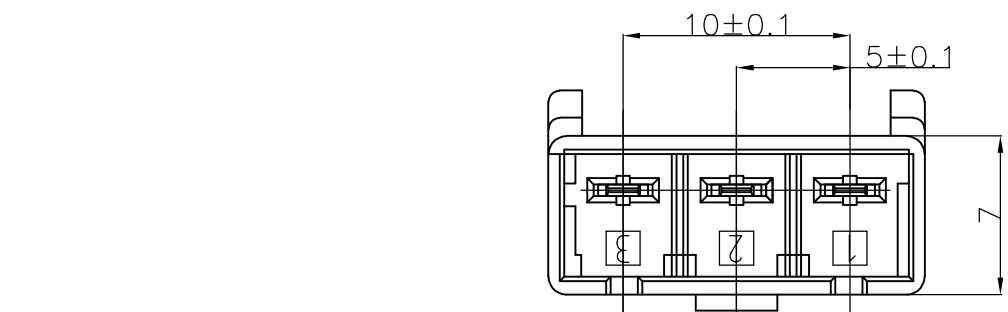
RELEASED FOR PUBLICATION

REVISIONS

© COPYRIGHT - Tyco Electronics JAPAN G.K.

ALL RIGHTS RESERVED.

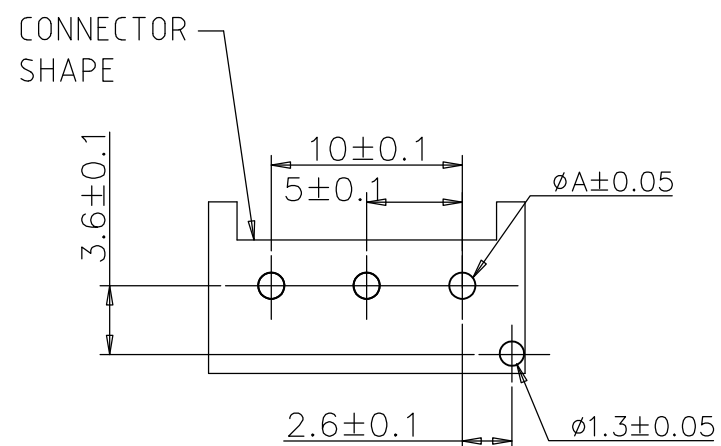
| P | LTR | DESCRIPTION               | DATE      | DWN | APVD |
|---|-----|---------------------------|-----------|-----|------|
|   | H1  | REVISED PER ECR-16-007444 | 31MAY2016 | NK  | SC   |



| NO. | NAME           | MATERIAL                           |
|-----|----------------|------------------------------------|
| ②   | HEADER HOUSING | 6/6 NYLON GRASS FILLED/<br>NYLON 6 |
| ①   | TAB            | COPPER ALLOY TIN PLATED            |

SECT A-A

CAVITY MARK



- ① RECOMMENDED P.C.B LAY OUT
- ② APPLICABLE P.C.B. THICKNESS:1.6
- ③ MATING CONN. P/N PLUG HOUSING :SEE TABLE
- ④ PARTS COMPLY WITH GLOW WIRE REQUIREMENT FOR PARTS OF NON-METALLIC MATERIAL SUPPORTING A CURRENT-CARRYING CONNECTION DETAILED IN IEC 60335-1, SECTION 30 (GWT).
- ⑤ NYLON 6, GWT, V-2.
- ⑥ NYLON 66, GWT, V-0.

|          |       |
|----------|-------|
| PUNCHING | 1.25  |
| DRILLING | 1.4   |
|          | DIM A |

① RECOMMENDED PCB HOLES

THIS DRAWING IS A CONTROLLED DOCUMENT.

| DIMENSIONS: | TOLERANCES UNLESS OTHERWISE SPECIFIED: |
|-------------|--|
| mm          |  |
| 0 PLC       | ± 0.2                                  |
| 1 PLC       | ±                                      |
| 2 PLC       | ±                                      |
| 3 PLC       | ±                                      |
| 4 PLC       | ±                                      |
| ANGLES      | ± -                                    |
| FINISH      | -                                      |

|   |                  |                     |                |         |      |             |
|---|------------------|---------------------|----------------|---------|------|-------------|
| ⑤ | 1376389-5        | WITH KINK           | TYPE A         | NATURAL | 3Pos | 1376383-5   |
| ⑥ | 3-1376389-4      | WITHOUT KINK        | TYPE D         | YELLOW  | 3Pos | 8-1376383-4 |
| ⑥ | 2-1376389-3      | WITHOUT KINK        | TYPE C         | BLUE    | 3Pos | 7-1376383-3 |
| ⑥ | 1-1376389-2      | WITHOUT KINK        | TYPE B         | RED     | 3Pos | 6-1376383-2 |
| ⑥ | 1376389-1        | WITHOUT KINK        | TYPE A         | NATURAL | 3Pos | 5-1376383-1 |
| ⑥ | 3-1376389-4      | WITH KINK           | TYPE D         | YELLOW  | 3Pos | 3-1376383-4 |
| ⑥ | 2-1376389-3      | WITH KINK           | TYPE C         | BLUE    | 3Pos | 2-1376383-3 |
| ⑥ | 1-1376389-2      | WITH KINK           | TYPE B         | RED     | 3Pos | 1-1376383-2 |
| ⑥ | 1376389-1        | WITH KINK           | TYPE A         | NATURAL | 3Pos | 1376383-1   |
|   | MATING CONN. P/N | ③ WITH/WITHOUT KINK | TYPE OF KEYING | Color   | Pos  | PART NO.    |

|                  |           |          |
|------------------|-----------|----------|
| DWN              | A.OISHI   | 28AUG'00 |
| CHK              | Y.KASHIWA | 28AUG'00 |
| APVD             | Y.KASHIWA | 28AUG'00 |
| PRODUCT SPEC     | 108-5699  |          |
| APPLICATION SPEC | 114-5292  |          |
| WEIGHT           | -         |          |

|   |           |            |               |
|---|-----------|------------|---------------|
| <b>STE</b> TE Connectivity                    |           |            |               |
| 5.0 POWER KEY CONNECTOR<br>3P HEADER ASSEMBLY |           |            |               |
| SIZE  | CAGE CODE | DRAWING NO | RESTRICTED TO |
| A3  | 00779     | C-1376383  | -             |

CUSTOMER DRAWING SCALE 3:1 SHEET 1 OF 1 REV H1