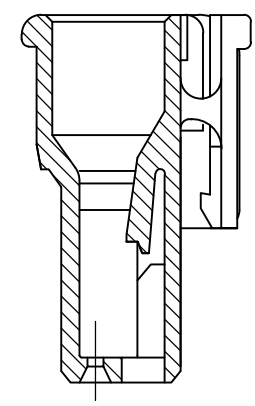
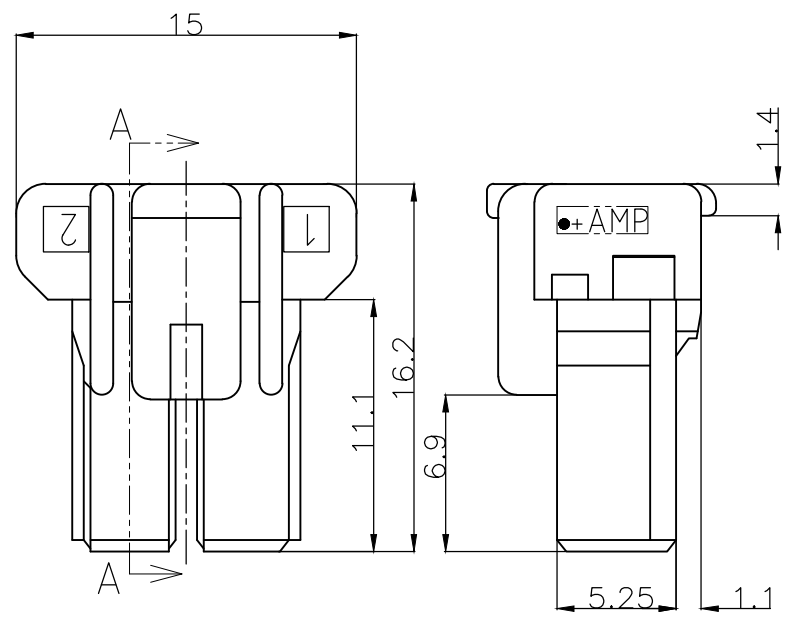
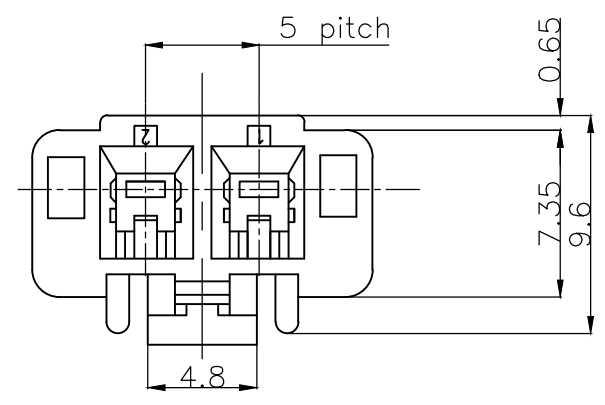
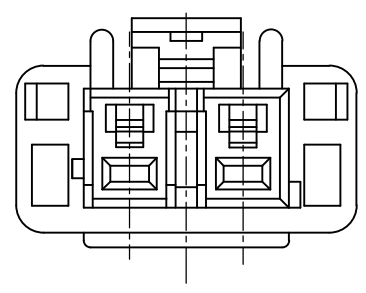


THIS DRAWING IS UNPUBLISHED. RELEASED FOR PUBLICATION  
 © COPYRIGHT - By - ALL RIGHTS RESERVED.

REVISIONS					
P	LTR	DESCRIPTION	DATE	DWN	APVD
	B4	REVISED PER ECO-17-008188	4JAN2018	C.X	D.Z

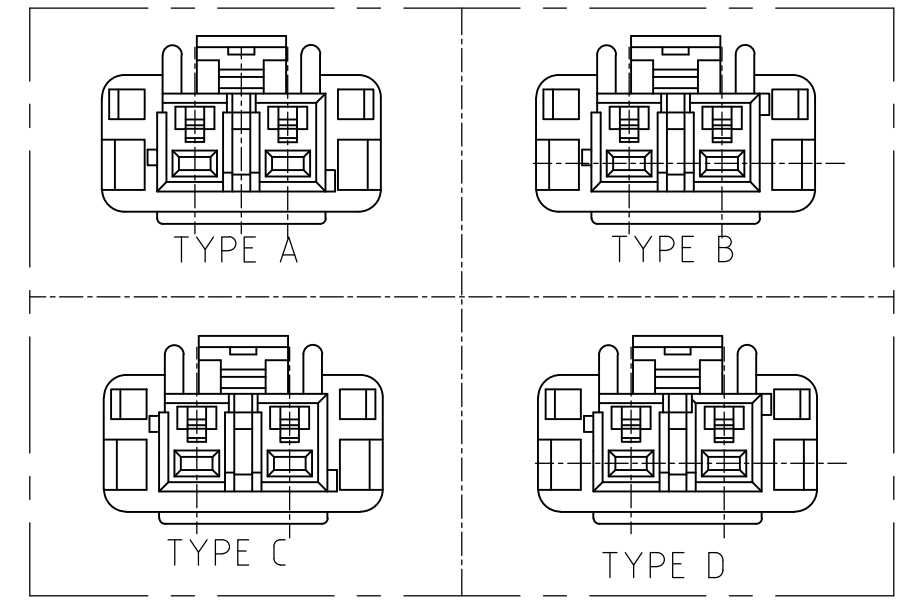


SECT A-A



- 1 MATING CONN. P/N  
HEADER ASS'Y :SEE TABLE  
REC CONTACT ;1376347-1,1376348-1
- 2 APPLICABLE PLATE P/N :1376394-1
- 3 PARTS COMPLY WITH GLOW WIRE  
REQUIREMENT FOR PARTS OF NON-METALLIC  
MATERIAL SUPPORTING A CURRENT-CARRYING  
CONNECTION DETAILED IN IEC 60335-1,  
SECTION 30 (GWT) .
- 4 NYLON 6 GWT, V-2.
- 5 NYLON 66, GWT, V-0.

THE TYPE OF KEYING



HOSING NAME	6 / 6 NYLON GRASS FILLED/ NYLON 6 MATERIAL
-------------	--

4	5	MATING CONN. P/N	THE TYPE OF KEYING	COLOR	POS	PART NO.
4	1376382-5	TYPE A	NATURAL	2POS	1376388-5	
5	3-1376382-4	TYPE D	YELLOW	2POS	3-1376388-4	
5	2-1376382-3	TYPE C	BLUE	2POS	2-1376388-3	
5	1-1376382-2	TYPE B	RED	2POS	1-1376388-2	
5	1376382-1	TYPE A	NATURAL	2POS	1376388-1	

THIS DRAWING IS A CONTROLLED DOCUMENT.		DWN A.OISHI 31AUG00	<b>TE Connectivity</b>			
DIMENSIONS: mm		CHK Y.KASHIWA 28AUG'00				
TOLERANCES UNLESS OTHERWISE SPECIFIED: GENGRAL TOLERANCE ±0.20		APVD Y.KASHIWA 28AUG'00	NAME 5.0 POWER KEY CONNECTOR 2P PLUG HOUSING			
0 PLC ± 1 PLC ± 2 PLC ± 3 PLC ± 4 PLC ± ANGLES ±1°		PRODUCT SPEC 108-5699	RESTRICTED TO			
MATERIAL SEE TABLE		FINISH SEE TABLE	APPLICATION SPEC 114-5292	SIZE A3	CAGE CODE 00779	DRAWING NO C-1376388
CUSTOMER DRAWING			WEIGHT	SCALE 3:1	SHEET 1 OF 2	REV B4

THIS DRAWING IS UNPUBLISHED.

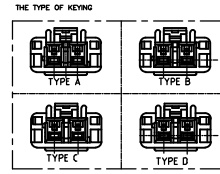
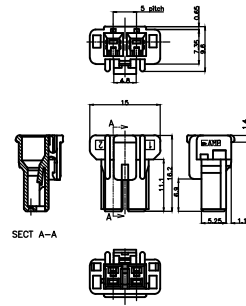
RELEASED FOR PUBLICATION

© COPYRIGHT - By -

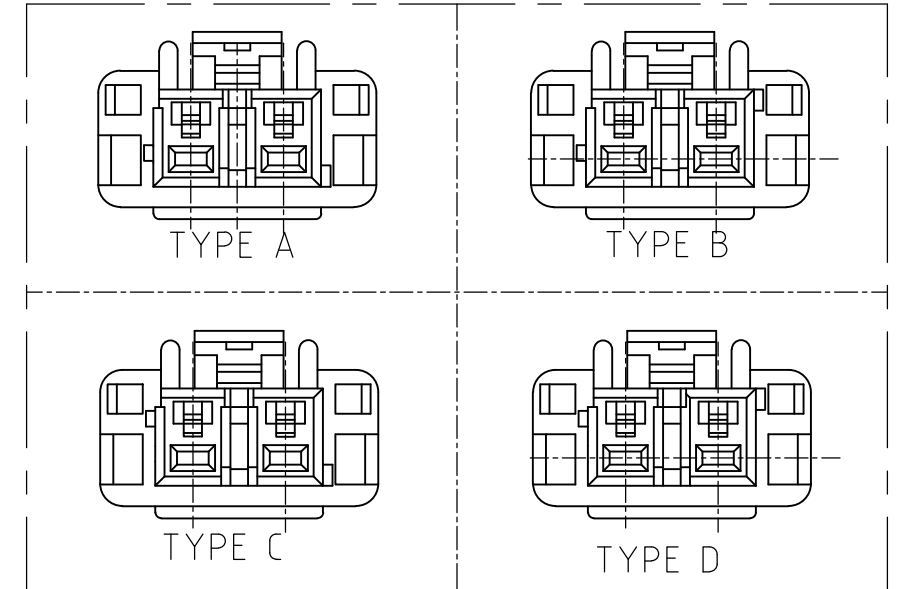
ALL RIGHTS RESERVED.

REVISIONS

P	LTR	DESCRIPTION	DATE	DWN	APVD
-	-	SEE SHEET 1	-	-	-



THE TYPE OF KEYING



HOSING	6 / 6 NYLON
NAME	MATERIAL

- 1 MATING CONN. P/N  
HEADER ASS'Y :SEE TABLE  
REC CONTACT ;1376347-1,1376348-1
- 2 APPLICABLE PLATE P/N :1376394-1

△5	3-1376382-5	TYPE D	YELLOW	2POS	3-1376388-5
△5	2-1376382-4	TYPE C	BLUE	2POS	2-1376388-4
△5	1-1376382-3	TYPE B	RED	2POS	1-1376388-3
△5	1376382-2	TYPE A	NATURAL	2POS	1376388-2
	MATING CONN. P/N	THE TYPE OF KEYING	Color	POS	PART NO.

THIS DRAWING IS A CONTROLLED DOCUMENT.		DWN A.OISHI 31AUG00			
DIMENSIONS: mm		CHK Y.KASHIWA 28AUG'00			
TOLERANCES UNLESS OTHERWISE SPECIFIED: GENGRAL TOLERANCE ±0.20		APVD Y.KASHIWA 28AUG'00	NAME 5.0 POWER KEY CONNECTOR 2P PLUG HOUSING		
		PRODUCT SPEC 108-78863	SIZE A3		
		APPLICATION SPEC 114-5292	CAGE CODE 00779	DRAWING NO C-1376388	RESTRICTED TO -
MATERIAL SEE TABLE		WEIGHT -	SCALE 3:1		SHEET 2 of 2
FINISH SEE TABLE		CUSTOMER DRAWING		REV B3	