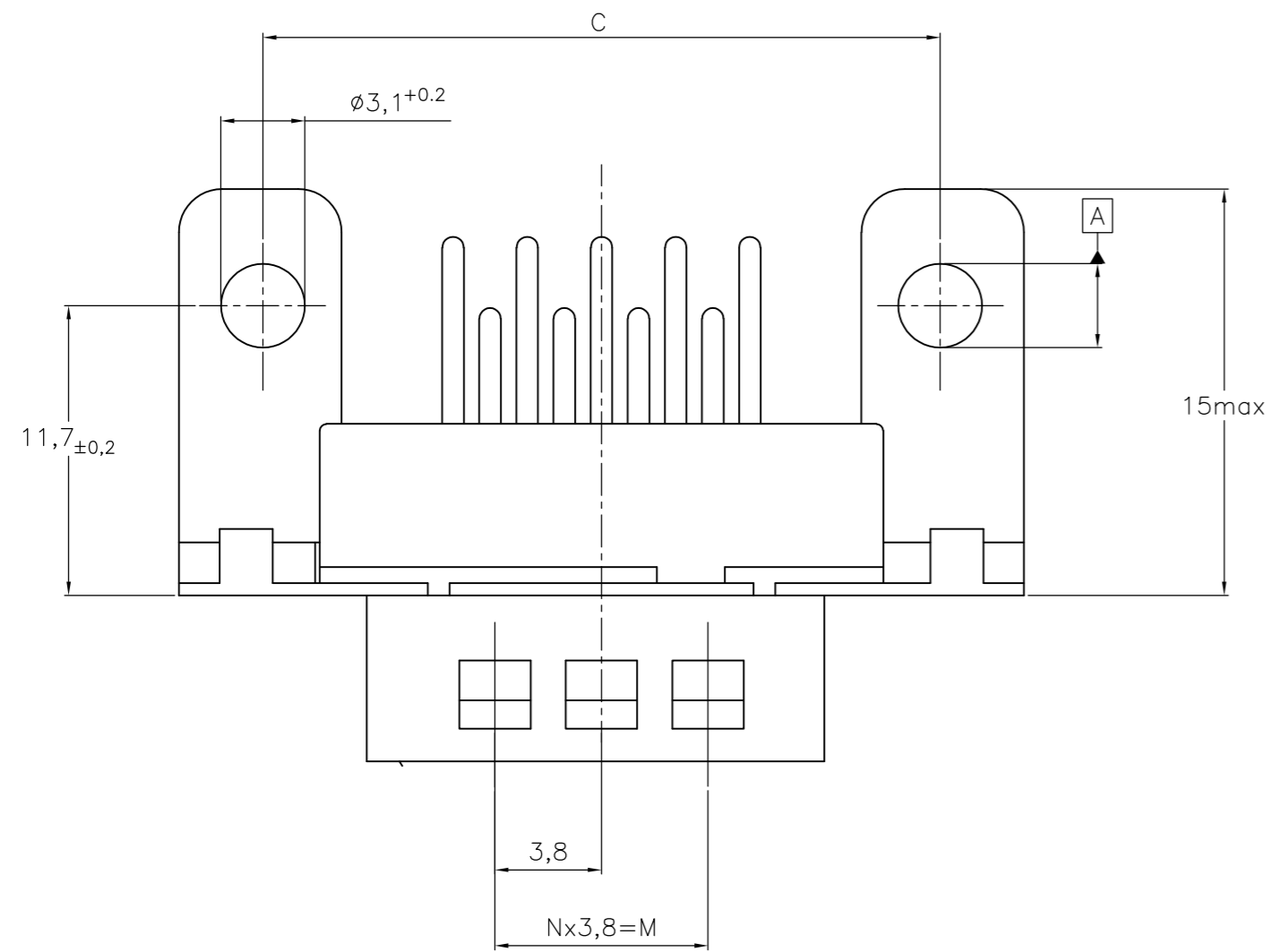
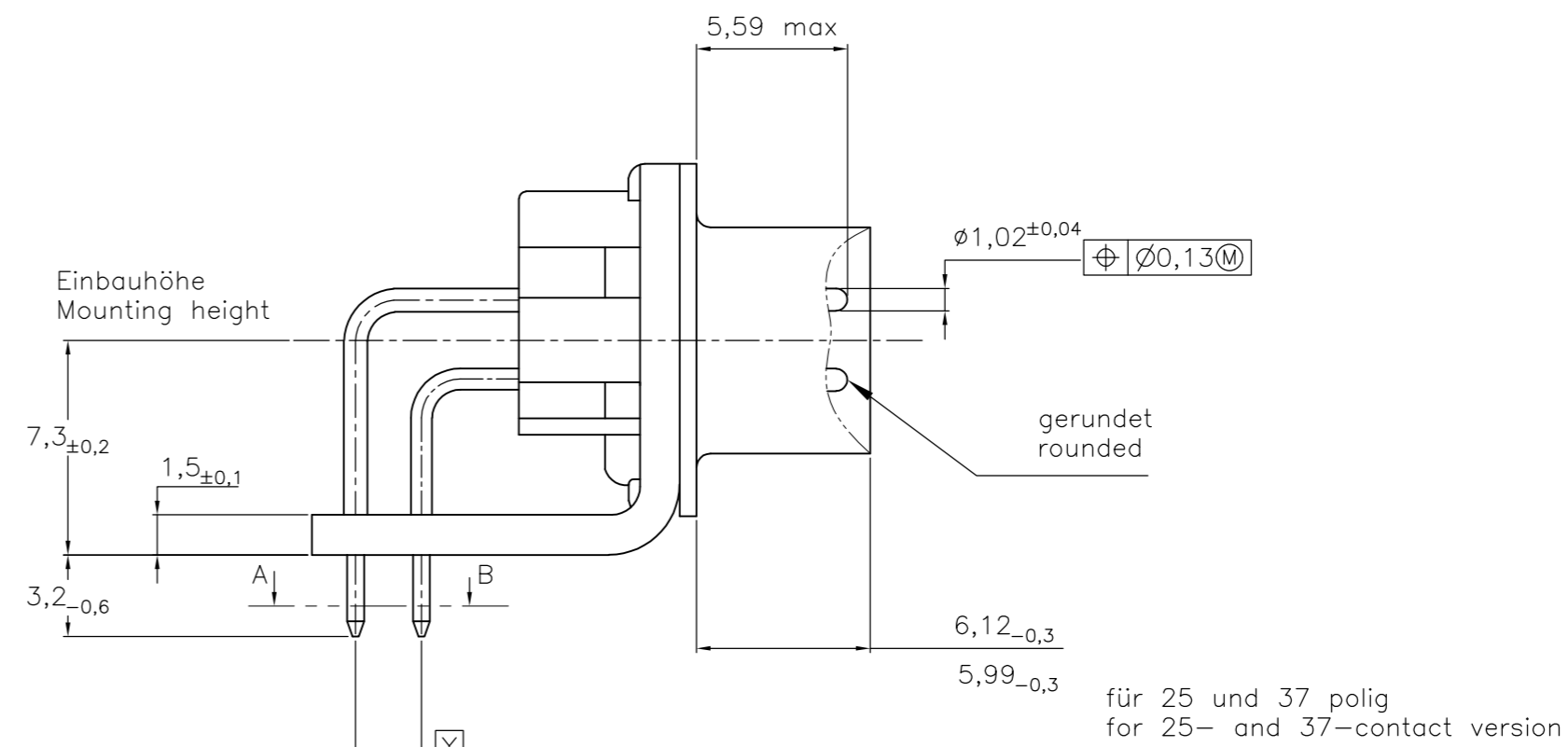
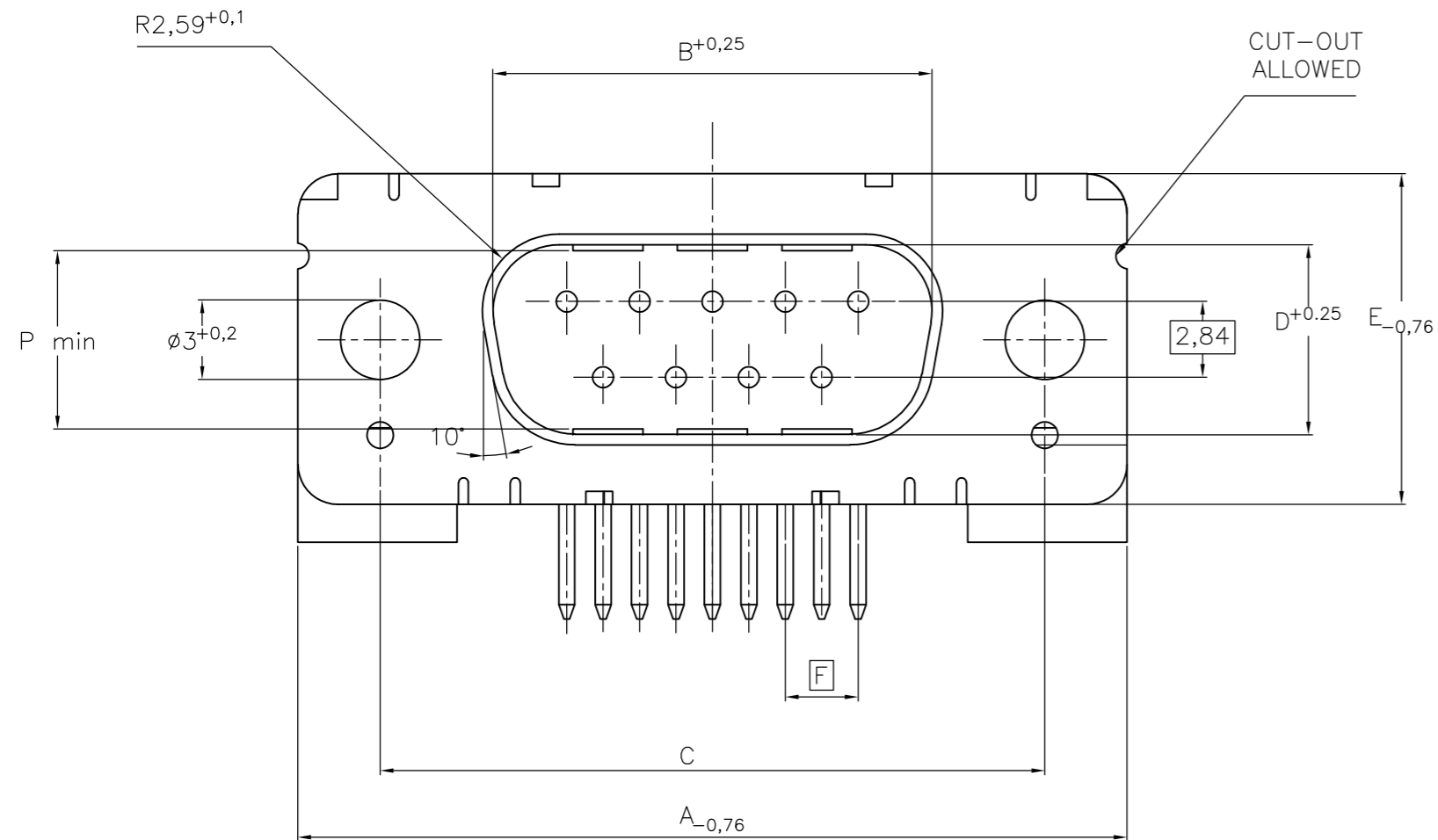


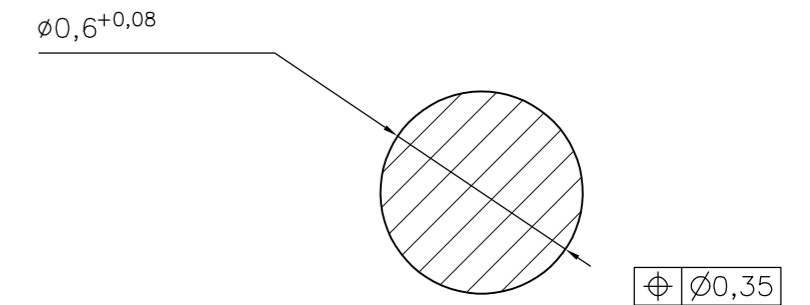
THIS DRAWING IS UNPUBLISHED. RELEASED FOR PUBLICATION
 © COPYRIGHT - By - ALL RIGHTS RESERVED.

| REVISIONS | | | | | |
|-----------|-----|---------------------------|-----------|-----|------|
| P | LTR | DESCRIPTION | DATE | DWN | APVD |
| H | | REVISED PER ECO-16-005267 | 16NOV2016 | AP | DG |

Standardausführung: V23529-A₂1x1-Cxxx-+
 Standardversion



Schnitt AB des Lötanschlusses
 Cross-section AB of solderpin
 (20:1)



| Ordercode Sachnr V23529-Axxxx | Contacts Polzahl | Mass/Dimension | | | | | | | | | |
|-------------------------------------|---------------------|----------------|-------|-------------------------|------|-------|------|------|----|------|--|
| | | A | B | C | D | E | F | M | N | P | |
| ..-Cx09-+ | 09 | 31,19 | 16,79 | 25,0 +0,12 -0,13 | 8,23 | 12,93 | 2,74 | 7,6 | 2 | 7,72 | |
| ..-Cx15-+ | 15 | 39,52 | 25,12 | 33,3 +0,15 -0,1 | | | 2,74 | 15,2 | 4 | 7,69 | |
| ..-Cx25-+ | 25 | 53,42 | 38,84 | 47,04 +0,13 -0,13 | | | 2,76 | 26,6 | 7 | 7,65 | |
| ..-Cx37-+ | 37 | 69,7 | 55,30 | 63,5 +0,13 -0,13 | | | 2,76 | 41,8 | 11 | 7,65 | |

Anforderungsstufe/Performance level 1)

OLD PN: V23529-A****-C***-*-7427

1) nach DIN 41652 T.2 und T.4
 according to DIN 41652 p.2 and p.4

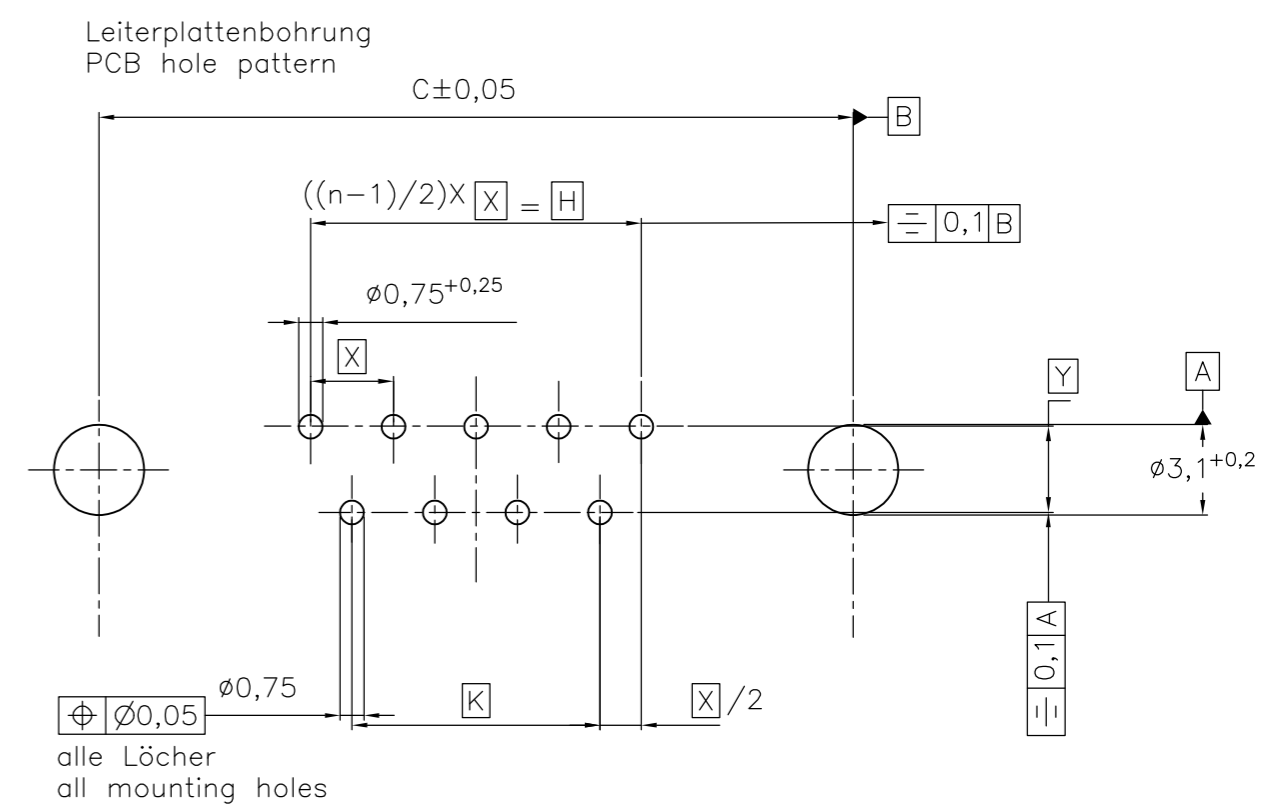
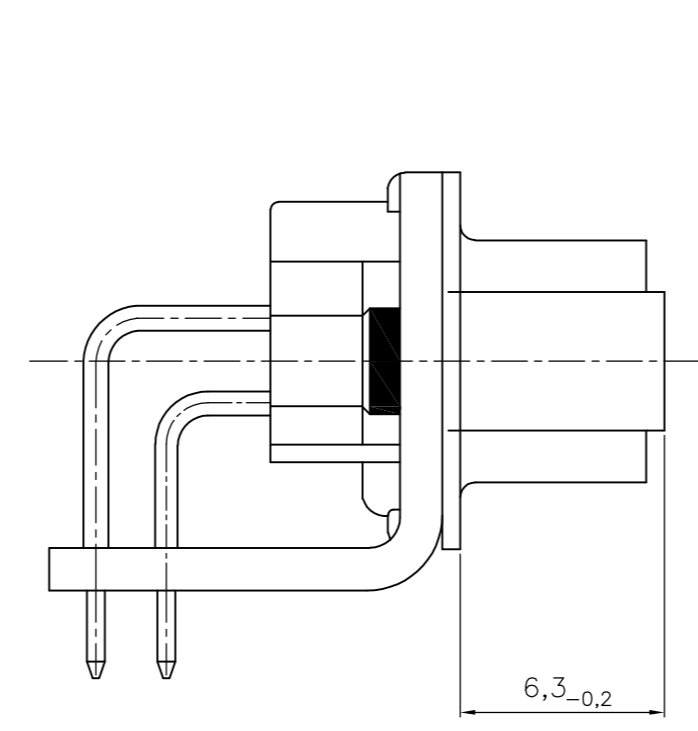
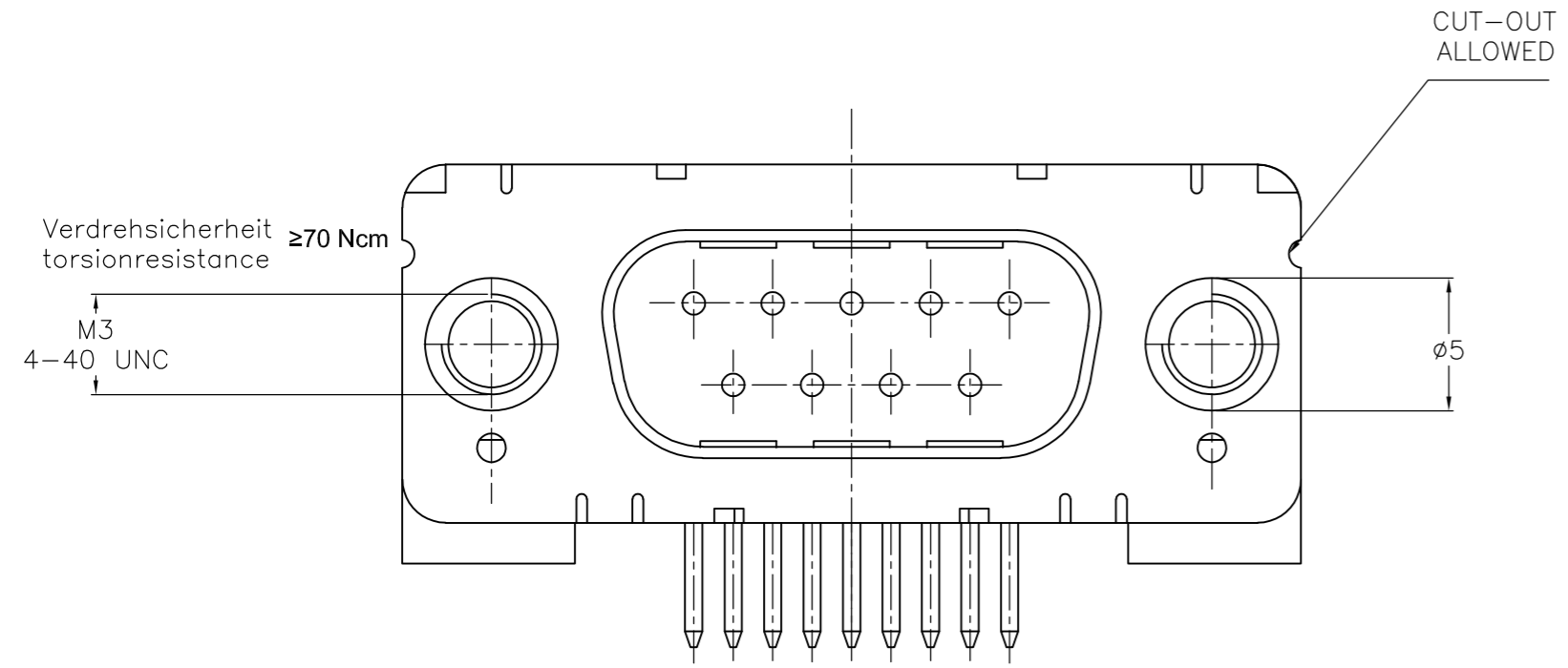
| Sachnr/Ordernr | Y |
|----------------|------|
| V23529- | |
| Axx1x-Cxxx-+ | 2,84 |
| Axx2x-Cxxx-+ | 2,54 |

| | | | | | |
|-----------------------------------------------------------------------------------------------------------------------|--|------------------------|---------|-------------------------------------------------------------------------------------------------------------------------------------------|--------------------|
| THIS DRAWING IS A CONTROLLED DOCUMENT. DIMENSIONING AND TOLERANCING PER ASME Y14.5M-2009 | | DWN GNANI JADAV A E | 07JAN10 | TE Connectivity | |
| DIMENSIONS: mm | | CHK K.MALCZYK | | NAME Stiftleiste-90° Lötanschluss (Variant 2 und 3) ¹⁾ Pinconnector-90° solderversion (Type 2 and 3) ¹⁾ | |
| TOLERANCES UNLESS OTHERWISE SPECIFIED: 0 PLC ± - 1 PLC ± - 2 PLC ± - 3 PLC ± - 4 PLC ± - ANGLES ± - | | APVD K.MALCZYK | | SIZE A2 | CAGE CODE 00779 |
| MATERIAL - | | PRODUCT SPEC - | | DRAWING NO C=1393478-8 | RESTRICTED TO - |
| FINISH - | | APPLICATION SPEC - | | WEIGHT 0 | SCALE 2:1 |
| | | CUSTOMER DRAWING | | SHEET 1 of 8 | REV H |

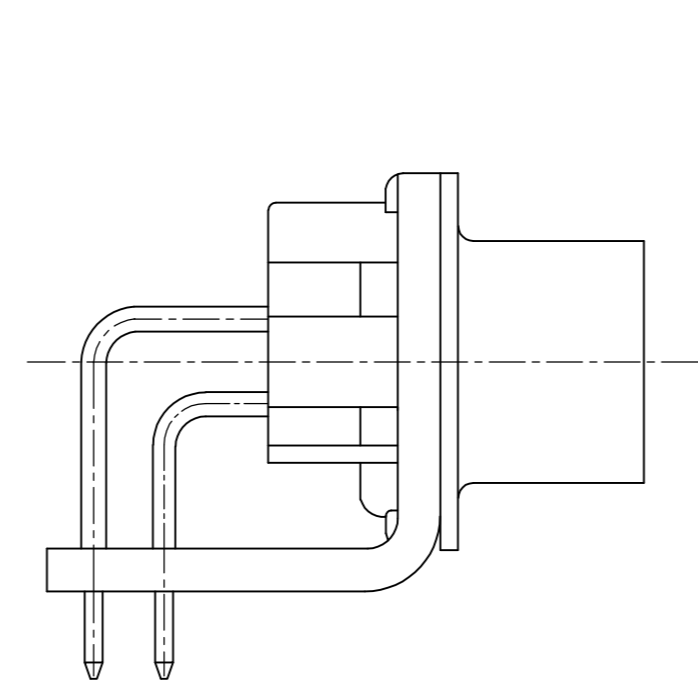
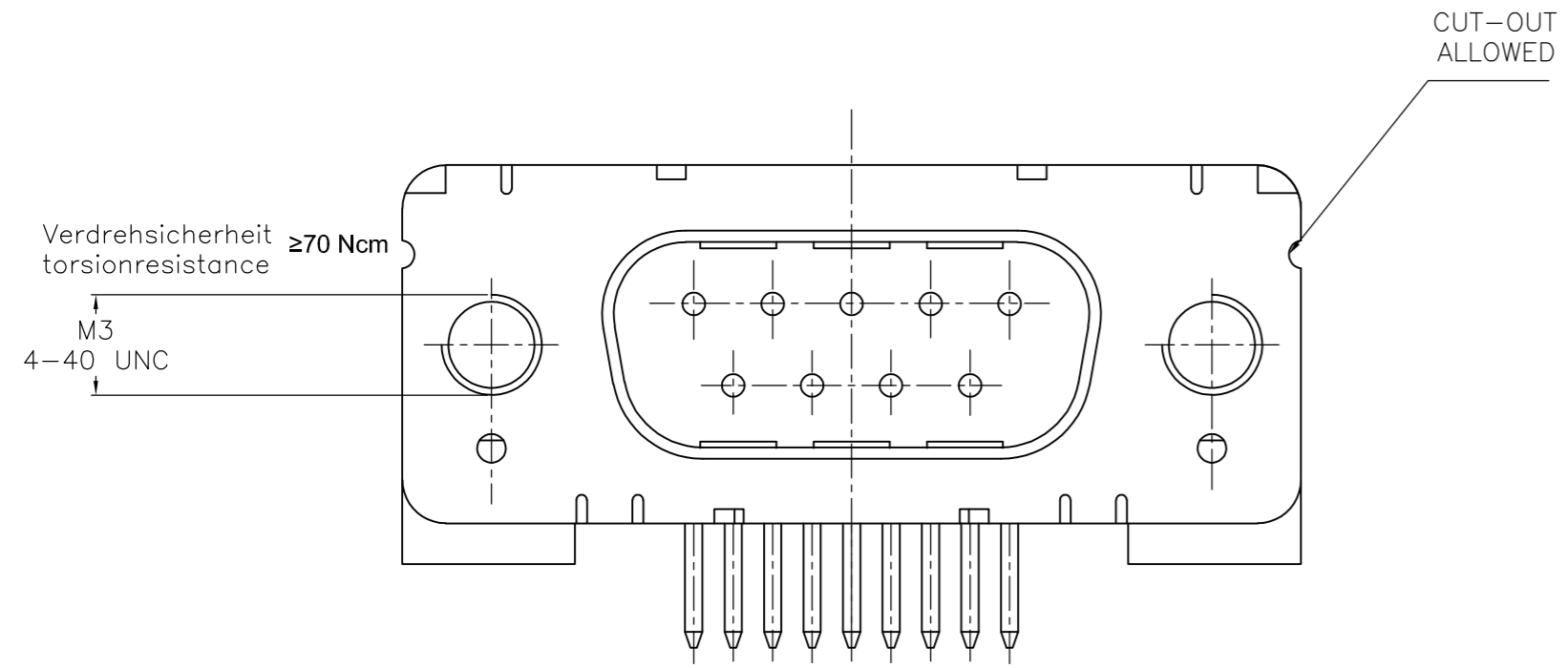
THIS DRAWING IS UNPUBLISHED. RELEASED FOR PUBLICATION
 © COPYRIGHT - By - ALL RIGHTS RESERVED.

| REVISIONS | | | | |
|-----------|-----|-------------|------|------|
| P | LTR | DESCRIPTION | DATE | APVD |
| - | - | SEE SHEET 1 | - | - |

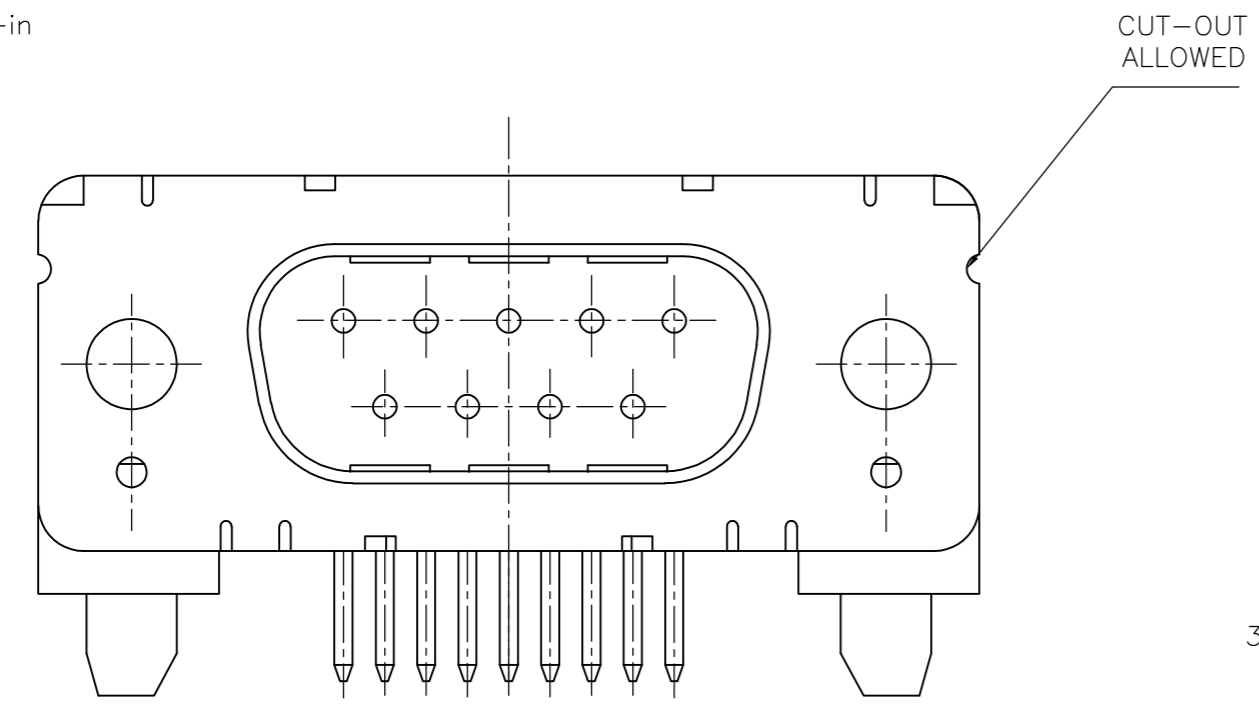
mit Gewindebolzen: M3 V23529-A₁xx4-Cxxx-+
 with thread lock 4-40 UNC V23529-A₂xx5-Cxxx-+



mit Gewinde: M3 V23529-A₁xx2-Cxxx-+
 with thread 4-40 UNC V23529-A₂xx3-Cxxx-+



mit Clipbefestigung: V23529-A₁2xx-Cxxx-+
 with snap-in



| Mass Dimension | Polzahl n Number of contacts n | | | |
|----------------|-----------------------------------|-------|-------|-------|
| | 9 | 15 | 25 | 37 |
| C | 25 | 33,3 | 47,04 | 63,5 |
| H | 10,96 | 19,18 | 33,12 | 49,68 |
| K | 8,22 | 16,44 | 30,36 | 46,92 |
| X | 2,74 | 2,74 | 2,76 | 2,76 |
| Y | 2,54 ^{ger} 2,84 | | | |

1) nach DIN 41652 T,2 UND T,4
 according to DIN 41652 p,2 AND p,4

OLD PN: V23529-A****-C***-*-7427

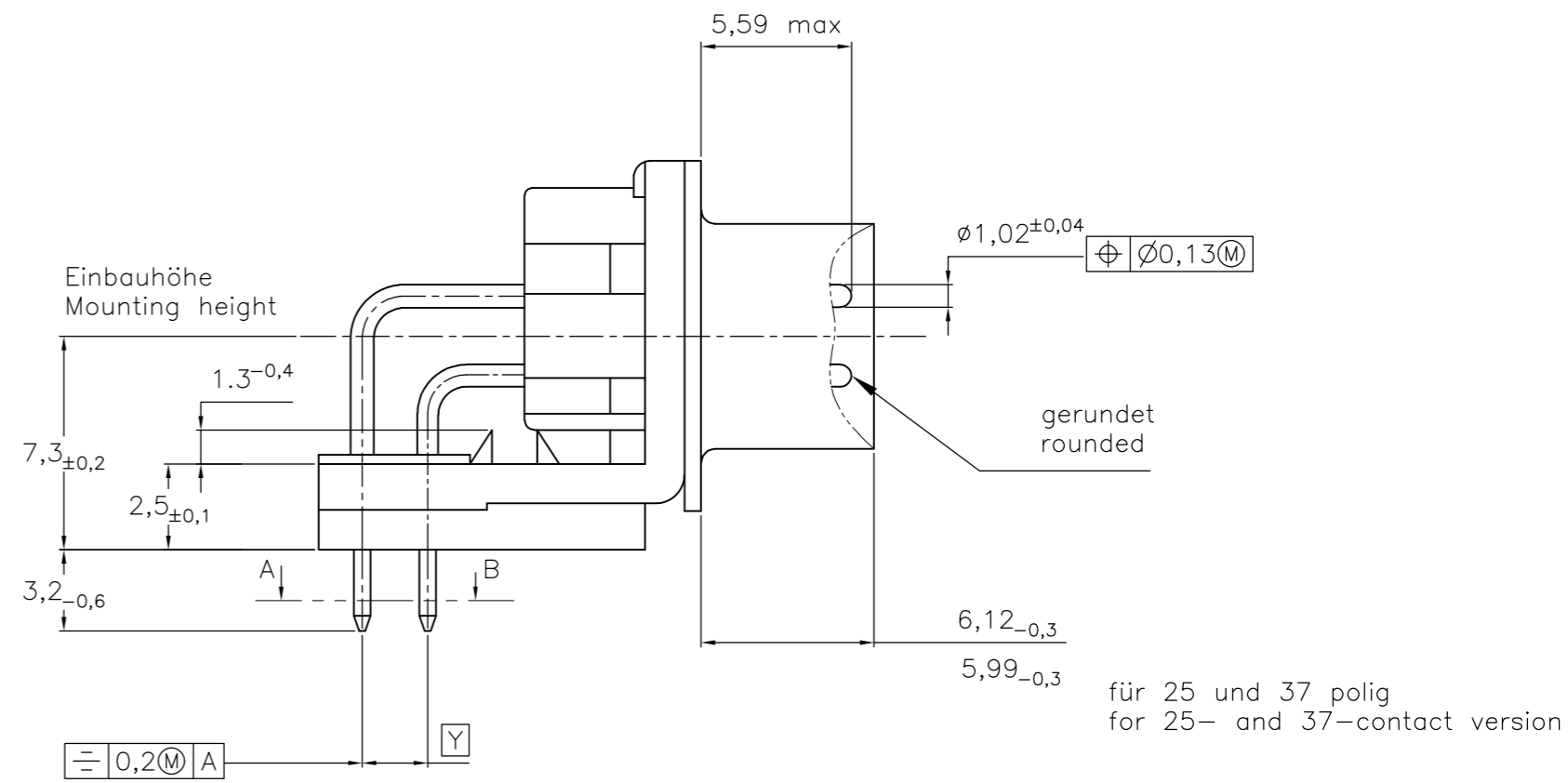
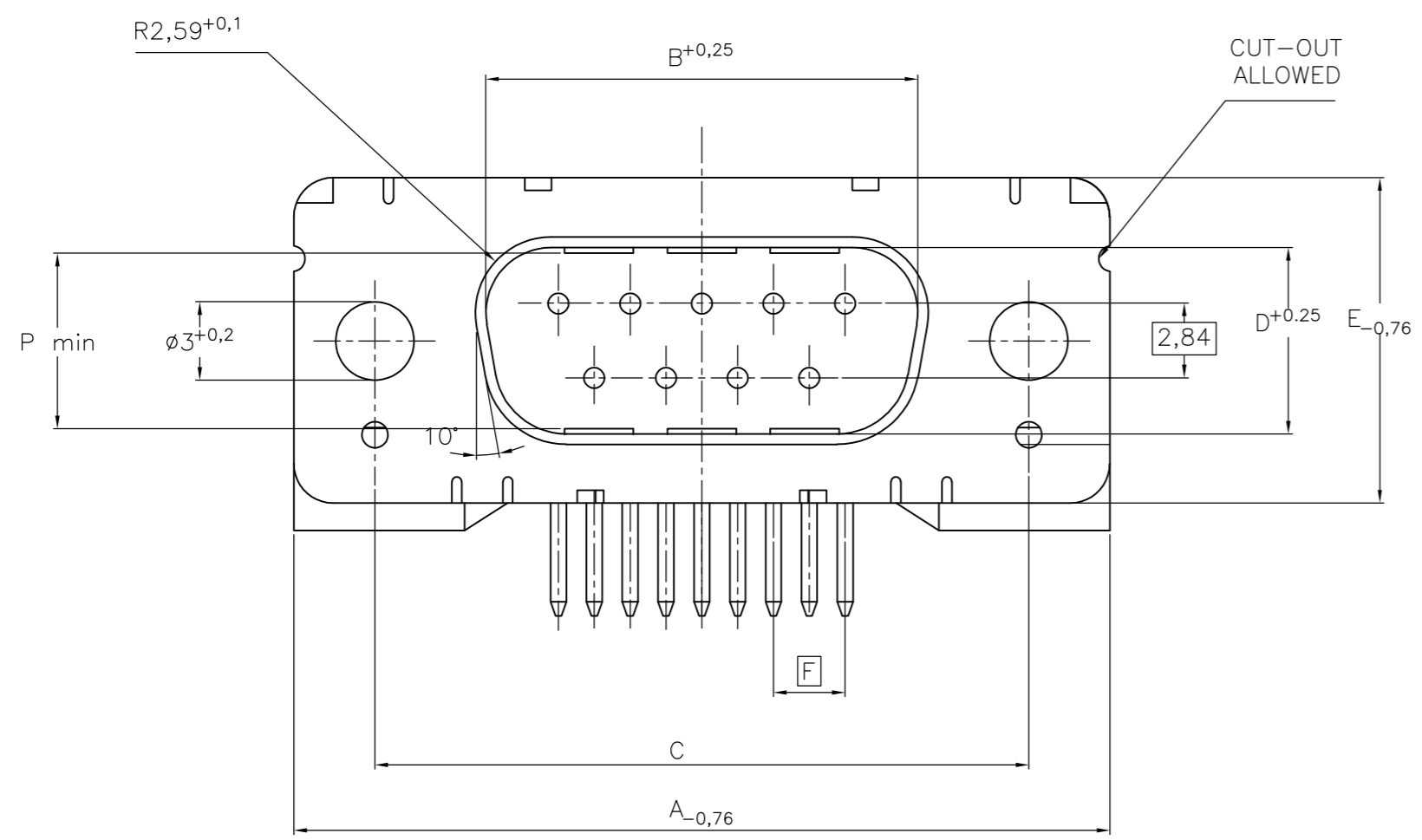
LP-Dicke 1,6±0,13mm, Loch ø3,1^{+0,2}
 PC-board-thickness 1,6±0,13mm, Hole ø3,1^{+0,2}

| | | | | |
|---------------------------------------------------------------------------------------------------------------------------------|--|------------------------|---------------------------|-------------------------------------------------------------------------------------------------------------------------------------------|
| THIS DRAWING IS A CONTROLLED DOCUMENT. DIMENSIONING AND TOLERANCING PER ASME Y14.5M-2009 | | DWN GNANI JADAV A E | 07JAN10 | STE TE Connectivity |
| DIMENSIONS: mm | | CHK K.MALCZYK | NAME K.MALCZYK | |
| TOLERANCES UNLESS OTHERWISE SPECIFIED: 0 PLC ± - 1 PLC ± - 2 PLC ± - 3 PLC ± - 4 PLC ± - ANGLES ± - FINISH | | APVD K.MALCZYK | PRODUCT SPEC | NAME Stiftleiste-90° Lötanschluss (Variant 2 und 3) ¹⁾ Pinconnector-90° solderversion (Type 2 and 3) ¹⁾ |
| MATERIAL | | APPLICATION SPEC | SIZE A2 | CAGE CODE 00779 |
| | | WEIGHT | DRAWING NO C-1393478-8 | RESTRICTED TO |
| | | CUSTOMER DRAWING | SCALE 2:1 | SHEET 2 of 8 |

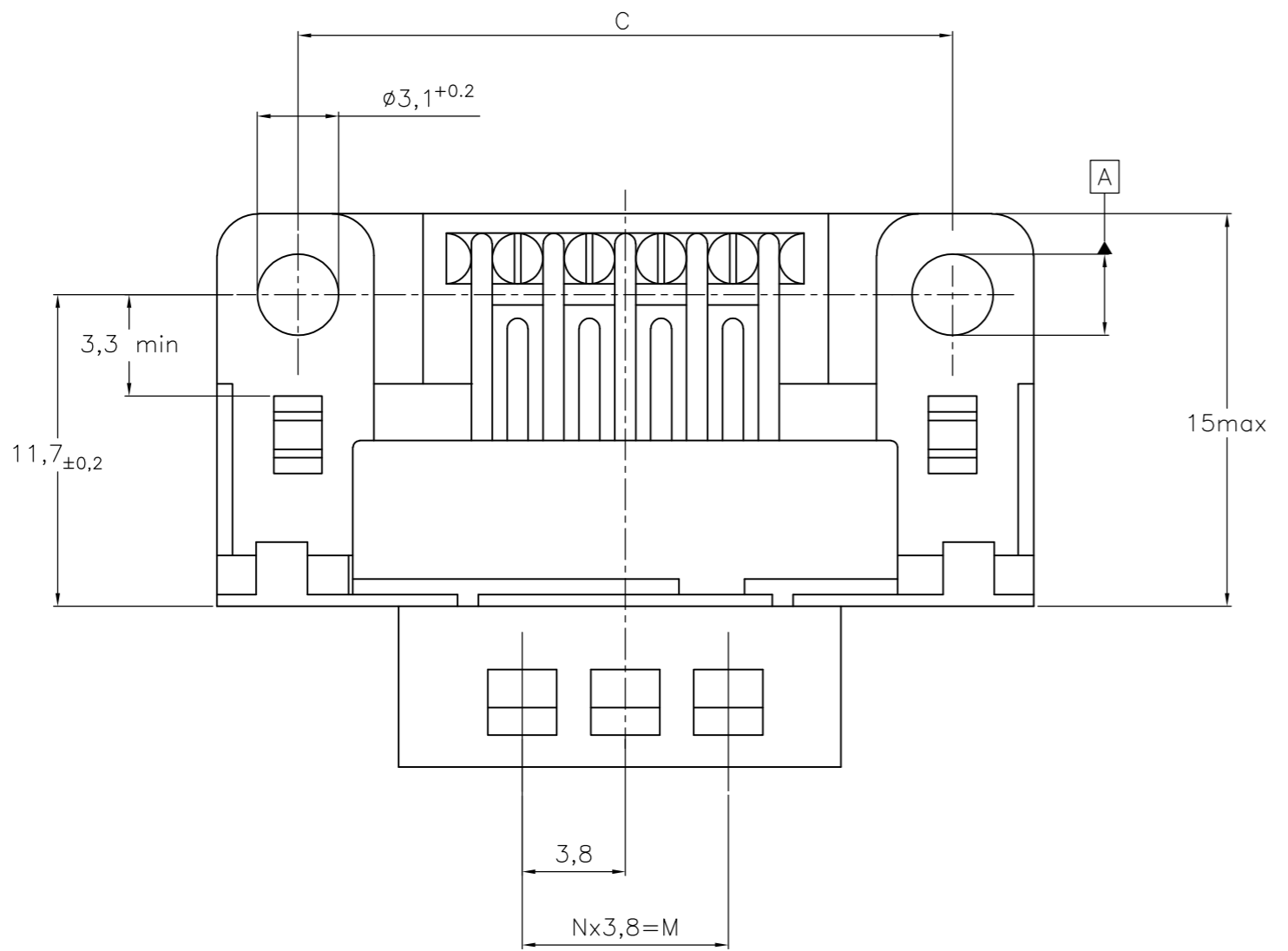
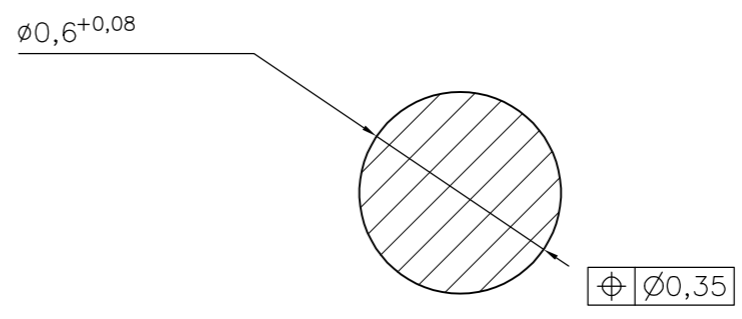
THIS DRAWING IS UNPUBLISHED. RELEASED FOR PUBLICATION
 © COPYRIGHT - By - ALL RIGHTS RESERVED.

| REVISIONS | | | | | |
|-----------|-----|-------------|------|-----|------|
| P | LTR | DESCRIPTION | DATE | DWN | APVD |
| - | - | SEE SHEET 1 | - | - | - |

Standardausführung isoliert: V23529-A₄1x1-Cxxx-+
 Standardversion insulated



Schnitt AB des Lötanschlusses
 Cross-section AB of solderpin
 (20:1)



| Ordercode Sachnr V23529-Axxxx | Contacts Polzahl | Mass/Dimension | | | | | | | | | |
|-------------------------------------|---------------------|----------------|-------|-----------------------------------------|------|-------|------|------|----|------|--|
| | | A | B | C | D | E | F | M | N | P | |
| ..-Cx09-+ | 09 | 31,19 | 16,79 | 25,0 ^{+0,12} _{-0,13} | 8,23 | 12,93 | 2,74 | 7,6 | 2 | 7,72 | |
| ..-Cx15-+ | 15 | 39,52 | 25,12 | 33,3 ^{+0,15} _{-0,1} | | | 2,74 | 15,2 | 4 | 7,69 | |
| ..-Cx25-+ | 25 | 53,42 | 38,84 | 47,04 ^{+0,13} _{-0,13} | | | 2,76 | 26,6 | 7 | 7,65 | |
| ..-Cx37-+ | 37 | 69,7 | 55,30 | 63,5 ^{+0,13} _{-0,13} | | | 2,76 | 41,8 | 11 | 7,65 | |

Anforderungsstufe/Performance level 1)

OLD PN: V23529-A****-C***-*-7427

1) nach DIN 41652 T.2 und T.4
 according to DIN 41652 p.2 and p.4

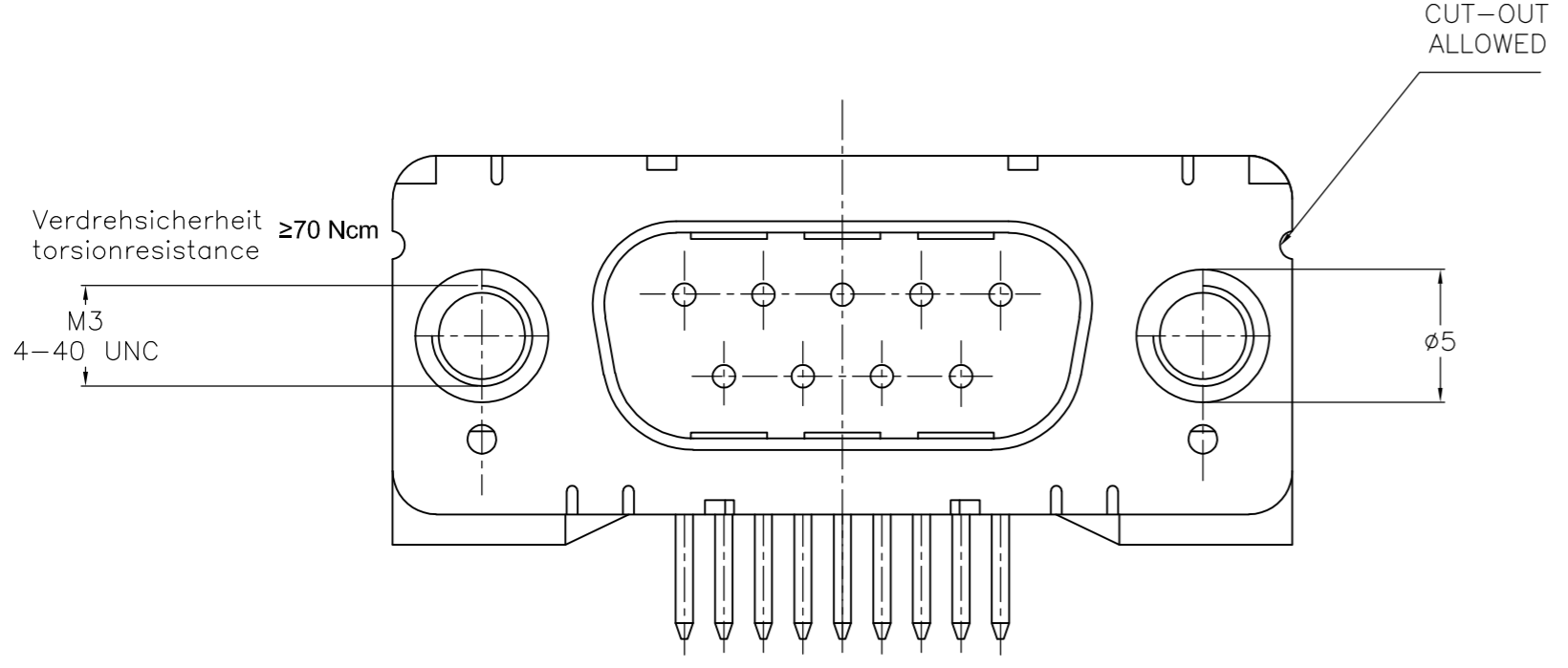
| Sachnr./Ordernr | Y |
|-----------------|------|
| V23529- | Y |
| Axx1x-Cxxx-+ | 2,84 |
| Axx2x-Cxxx-+ | 2,54 |

| | | | | |
|---------------------------------------------------------------------------------------------------------------------------------|--|-----------------------------------|-------------------------------------------------------------------------------------------------------------------------------------------|---------------------------|
| THIS DRAWING IS A CONTROLLED DOCUMENT. DIMENSIONING AND TOLERANCING PER ASME Y14.5M-2009 | | DWN GNANI JADAV A E 07JAN10 | TE Connectivity | |
| DIMENSIONS: mm | | CHK K.MALCZYK | NAME Stiftleiste-90° Lötanschluss (Variant 2 und 3) ¹⁾ Pinconnector-90° solderversion (Type 2 and 3) ¹⁾ | |
| TOLERANCES UNLESS OTHERWISE SPECIFIED: 0 PLC ± - 1 PLC ± - 2 PLC ± - 3 PLC ± - 4 PLC ± - ANGLES ± - FINISH | | APVD K.MALCZYK | SIZE A2 | |
| MATERIAL | | PRODUCT SPEC | CAGE CODE 00779 | DRAWING NO C-1393478-8 |
| | | APPLICATION SPEC | RESTRICTED TO | |
| | | WEIGHT | SCALE 2:1 | SHEET 3 of 8 |
| | | CUSTOMER DRAWING | REV H | |

THIS DRAWING IS UNPUBLISHED. RELEASED FOR PUBLICATION
 © COPYRIGHT - By - ALL RIGHTS RESERVED.

| REVISIONS | | | | |
|-----------|-----|-------------|------|------|
| P | LTR | DESCRIPTION | DATE | APVD |
| - | - | SEE SHEET 1 | - | - |

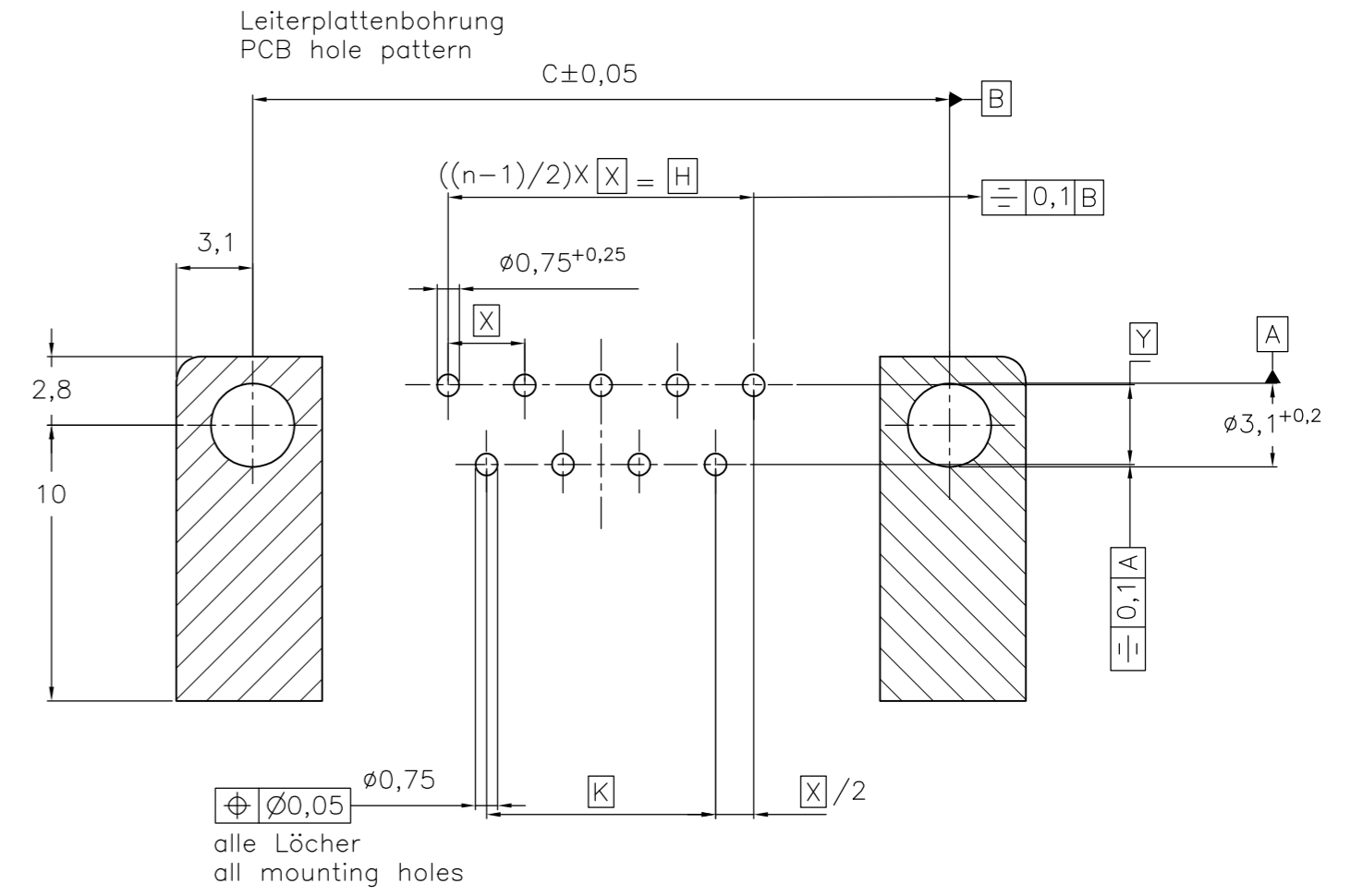
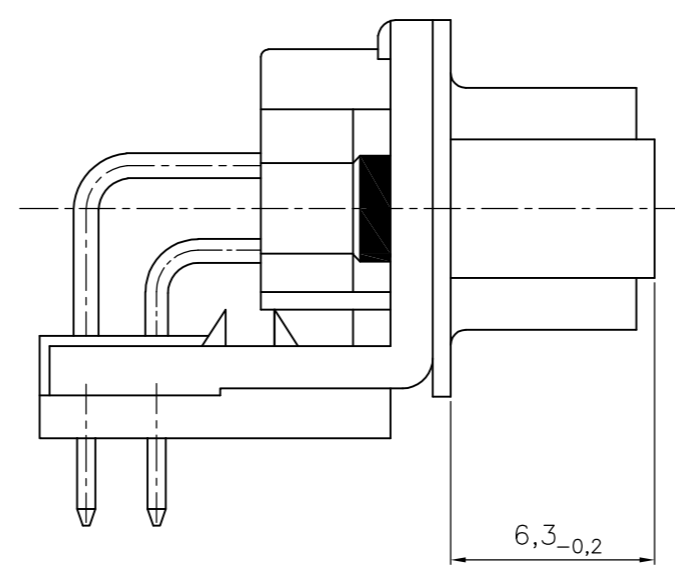
mit Gewindebolzen: M3 V23529-A₃xx4-Cxxx-+
 with thread lock 4-40 UNC V23529-A₃xx5-Cxxx-+



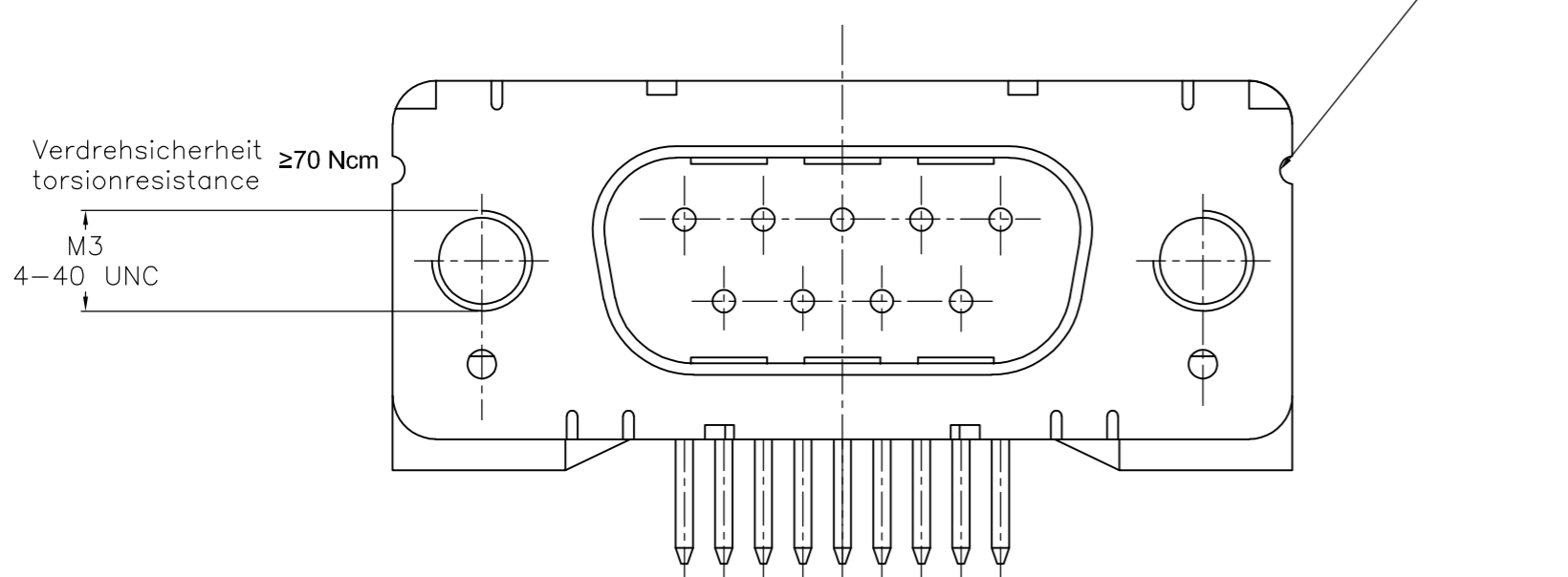
Verdrehsicherheit
 torsionresistance ≥ 70 Ncm

M3
 4-40 UNC

CUT-OUT
 ALLOWED



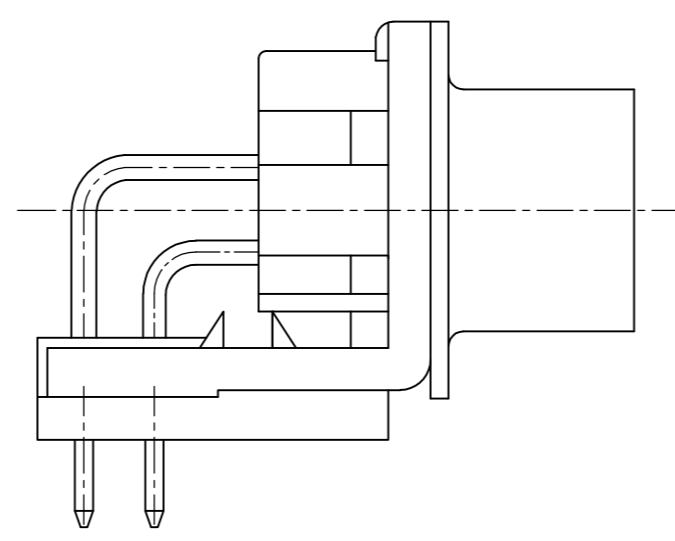
mit Gewinde: M3 V23529-A₃xx2-Cxxx-+
 with thread 4-40 UNC V23529-A₃xx3-Cxxx-+



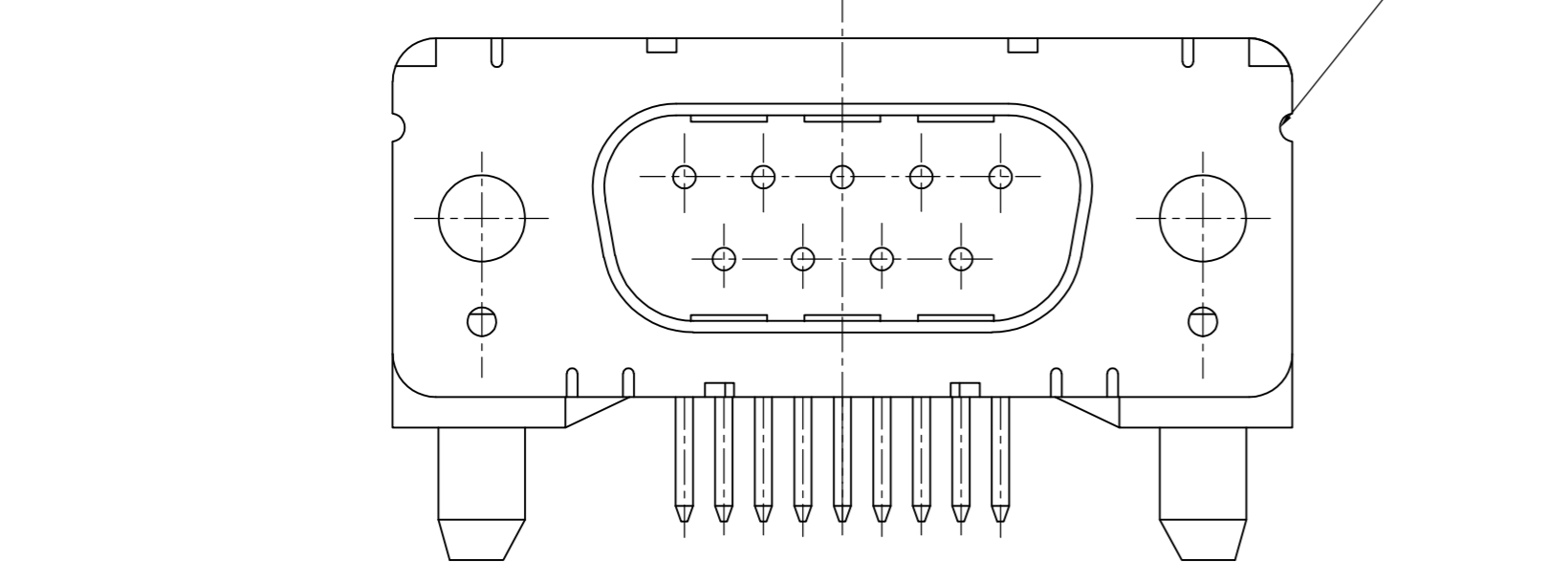
Verdrehsicherheit
 torsionresistance ≥ 70 Ncm

M3
 4-40 UNC

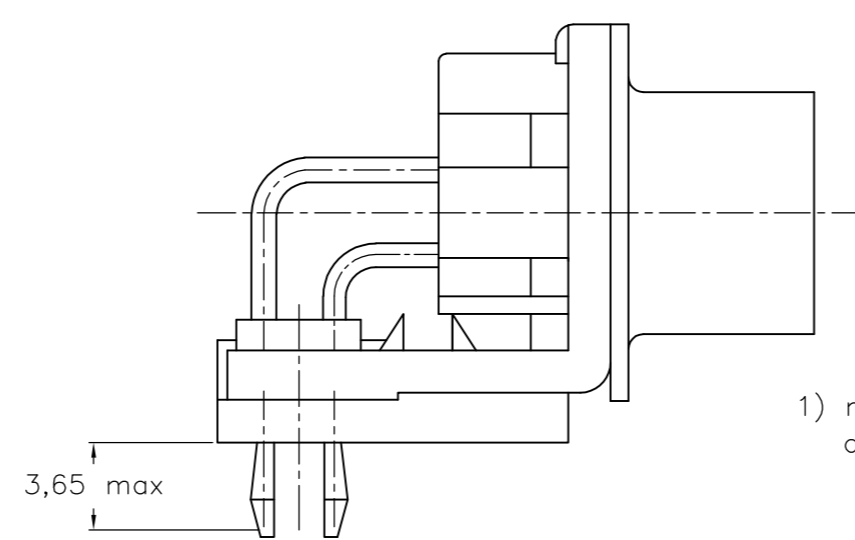
CUT-OUT
 ALLOWED



mit Clipbefestigung: V23529-A₃2xx-Cxxx-+
 with snap-in



CUT-OUT
 ALLOWED



| Mass Dimension | Polzahl n Number of contacts n | | | |
|-------------------|-----------------------------------|-------|-------|-------|
| | 9 | 15 | 25 | 37 |
| C | 25 | 33,3 | 47,04 | 63,5 |
| H | 10,96 | 19,18 | 33,12 | 49,68 |
| K | 8,22 | 16,44 | 30,36 | 46,92 |
| X | 2,74 | 2,74 | 2,76 | 2,76 |
| Y | 2,54 ^{ger} 2,84 | | | |

1) nach DIN 41652 T,2 UND T,4
 according to DIN 41652 p,2 AND p,4

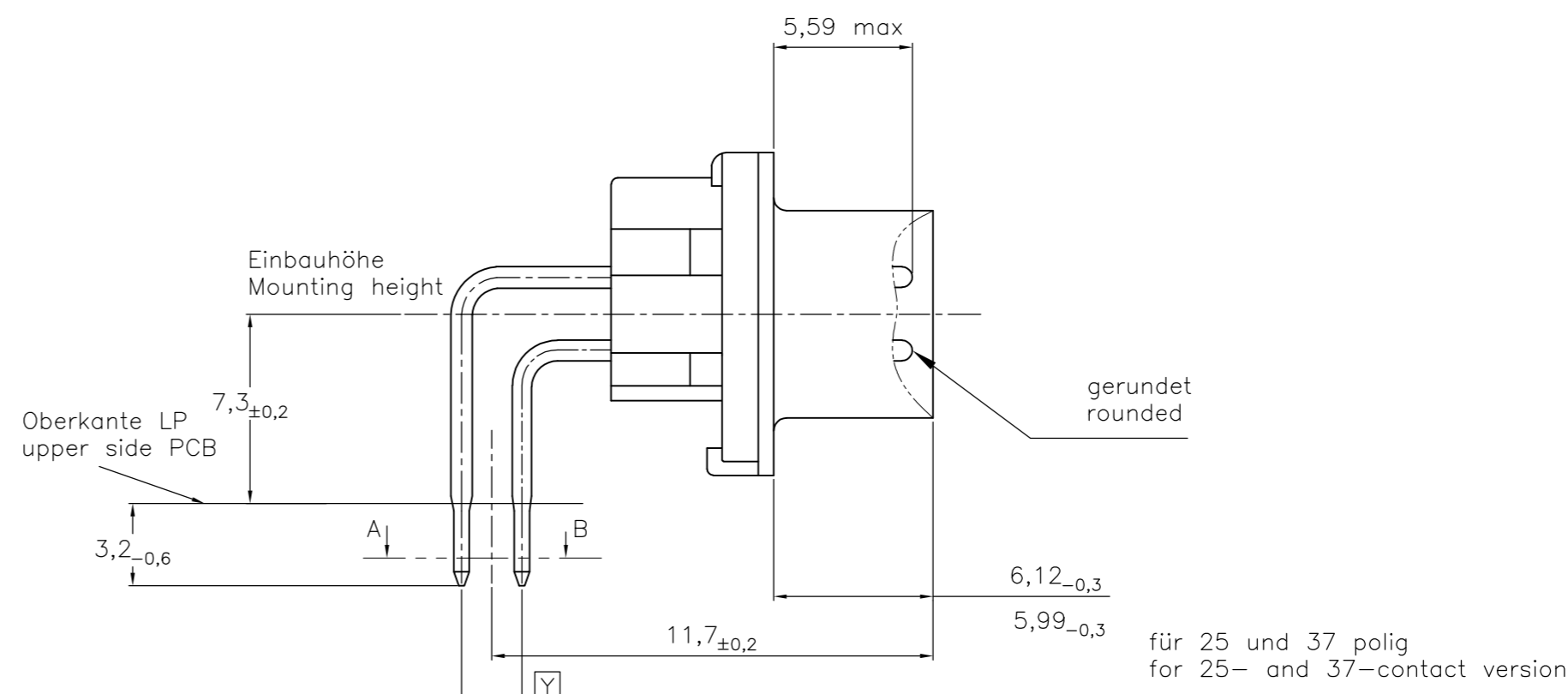
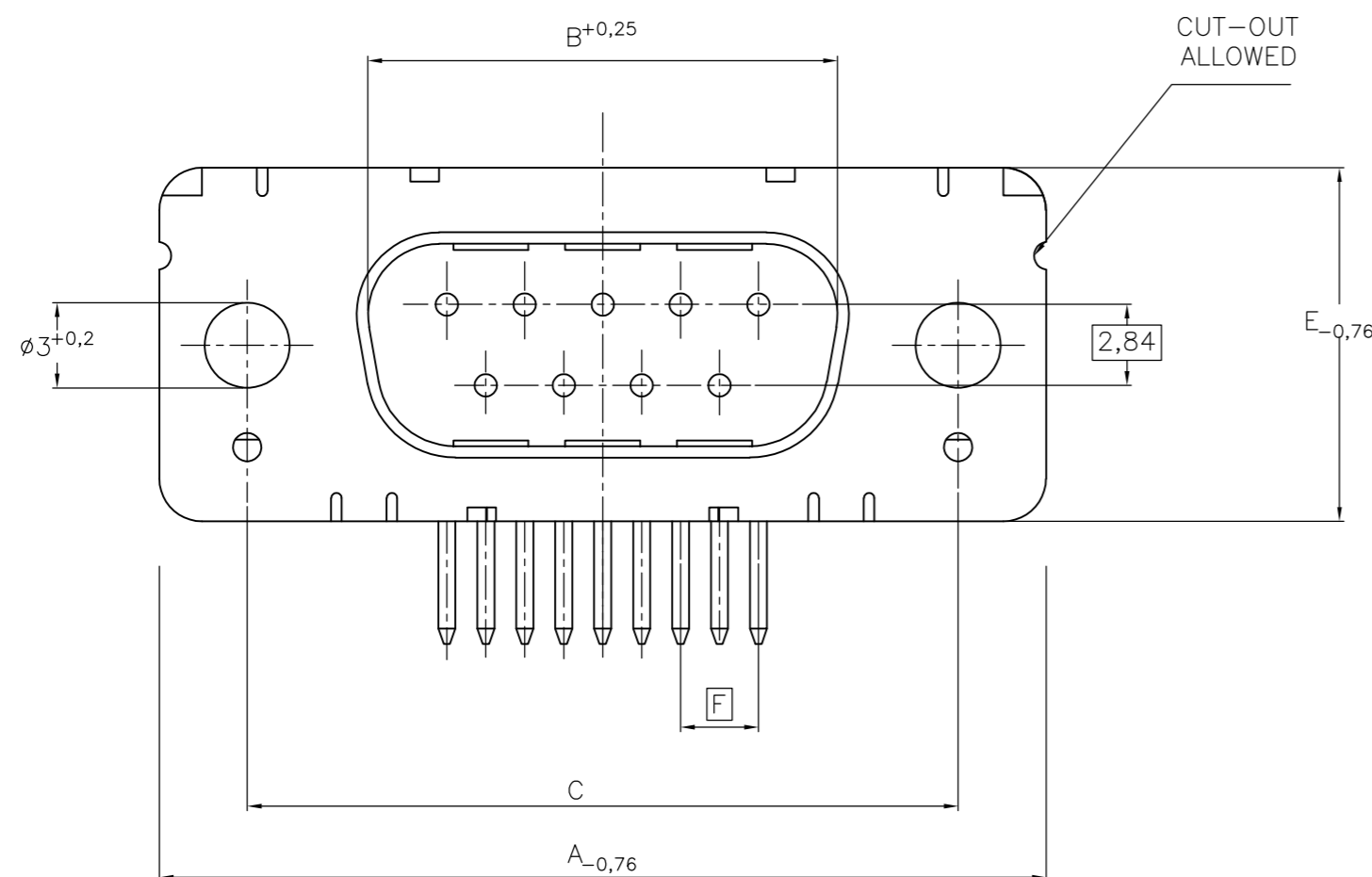
OLD PN: V23529-A****C***-*-7427

| | | | | | |
|--------------------------------------------------------------------------------------------------------|--|------------------------|-------------------|---------------------------|--------------------|
| THIS DRAWING IS A CONTROLLED DOCUMENT. DIMENSIONING AND TOLERANCING PER ASME Y14.5M-2009 | | DWN GNANI JADAV A E | 07JAN10 | TE Connectivity | |
| DIMENSIONS: mm | | CHK K.MALCZYK | APVD K.MALCZYK | | |
| 0 PLC ± - 1 PLC ± - 2 PLC ± - 3 PLC ± - 4 PLC ± - ANGLES ± - MATERIAL - FINISH - | | PRODUCT SPEC | APPLICATION SPEC | SIZE A2 | CAGE CODE 00779 |
| | | WEIGHT | SCALE 2:1 | DRAWING NO C-1393478-8 | RESTRICTED TO - |
| | | CUSTOMER DRAWING | | SHEET 4 of 8 | REV H |

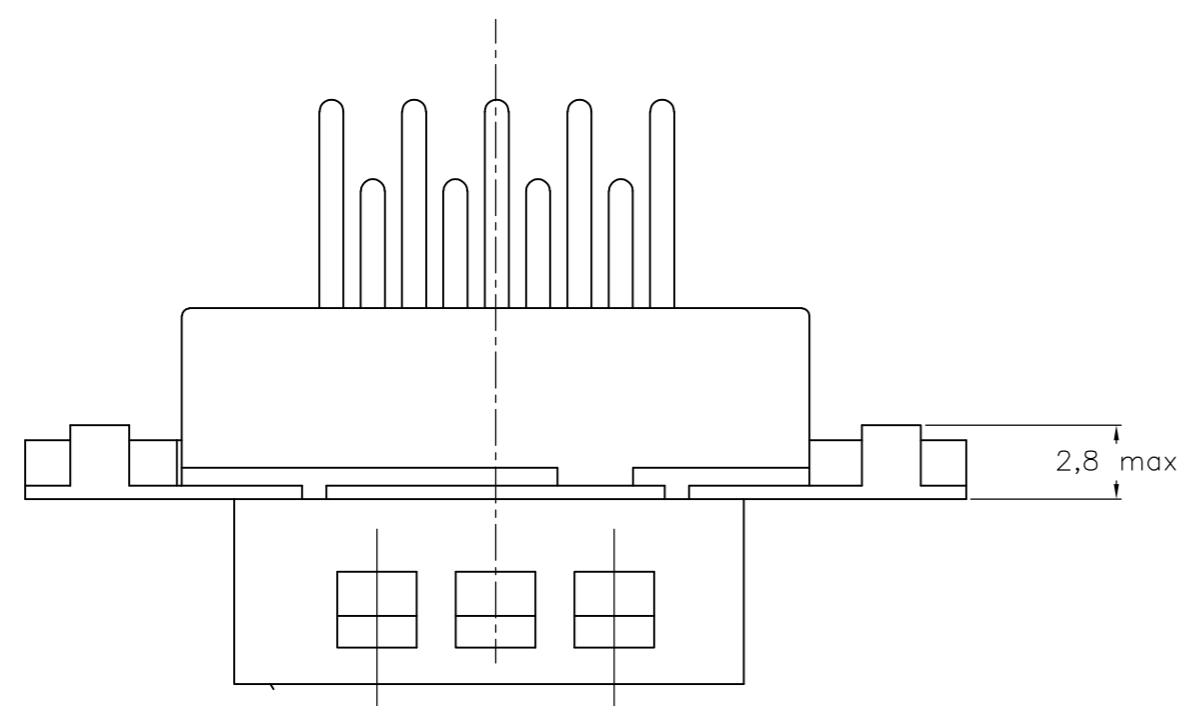
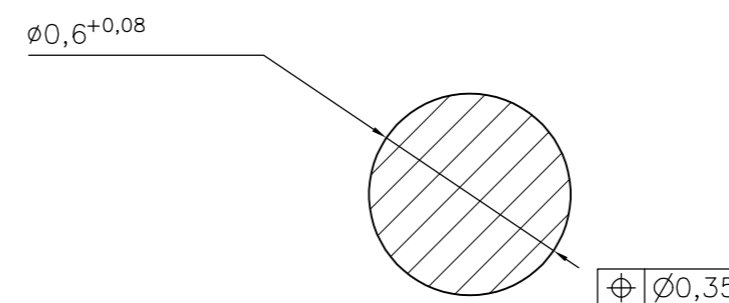
THIS DRAWING IS UNPUBLISHED. RELEASED FOR PUBLICATION
 © COPYRIGHT - By - ALL RIGHTS RESERVED.

| REVISIONS | | | | |
|-----------|-----|-------------|------|------|
| P | LTR | DESCRIPTION | DATE | APVD |
| - | - | SEE SHEET 1 | - | - |

Standardausführung ohne Winkel: V23529-A50x1-Cxxx-+
 Standardversion without bracket



Schnitt AB des Lötanschlusses
 Cross-section AB of solderpin (20:1)



| Ordercode Sachnr V23529-Axxxx | Contacts Polzahl | Mass/Dimension | | | | | | | |
|-------------------------------------|---------------------|----------------|-------|-----------------------------------------|------|-------|------|--|------|
| | | A | B | C | D | E | F | | P |
| ..-Cx09-+ | 09 | 31,19 | 16,79 | 25,0 ^{+0,12} _{-0,13} | 8,23 | 12,93 | 2,74 | | 7,72 |
| ..-Cx15-+ | 15 | 39,52 | 25,12 | 33,3 ^{+0,15} _{-0,1} | | | 2,74 | | 7,69 |
| ..-Cx25-+ | 25 | 53,42 | 38,84 | 47,04 ^{+0,13} _{-0,13} | | | 2,76 | | 7,65 |
| ..-Cx37-+ | 37 | 69,7 | 55,30 | 63,5 ^{+0,13} _{-0,13} | | | 2,76 | | 7,65 |

Anforderungsstufe/Performance level 1)

OLD PN: V23529-A****-C***-*-7427

1) nach DIN 41652 T.2 und T.4
 according to DIN 41652 p.2 and p.4

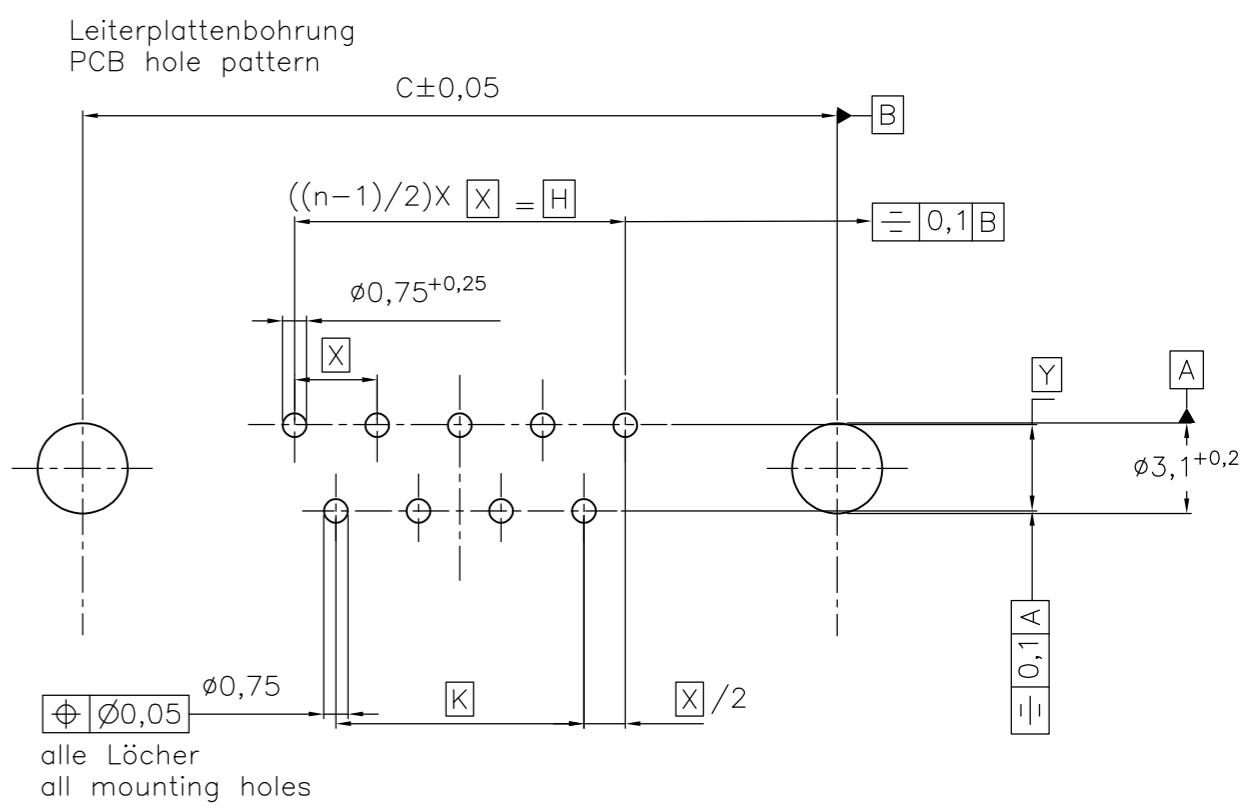
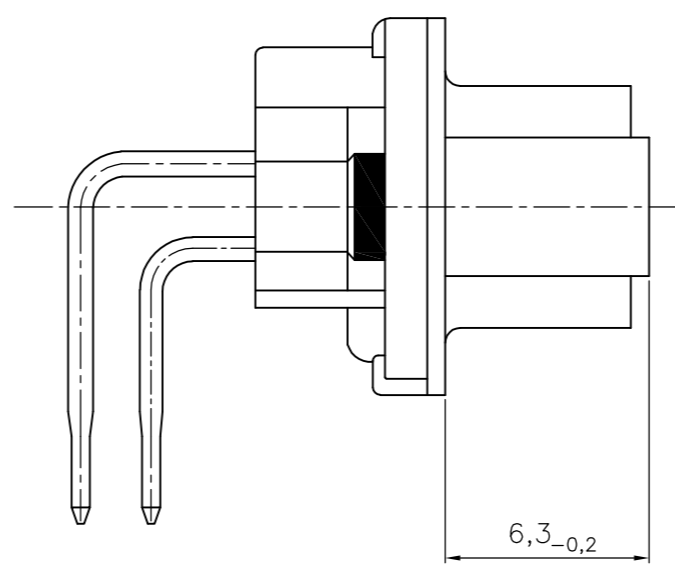
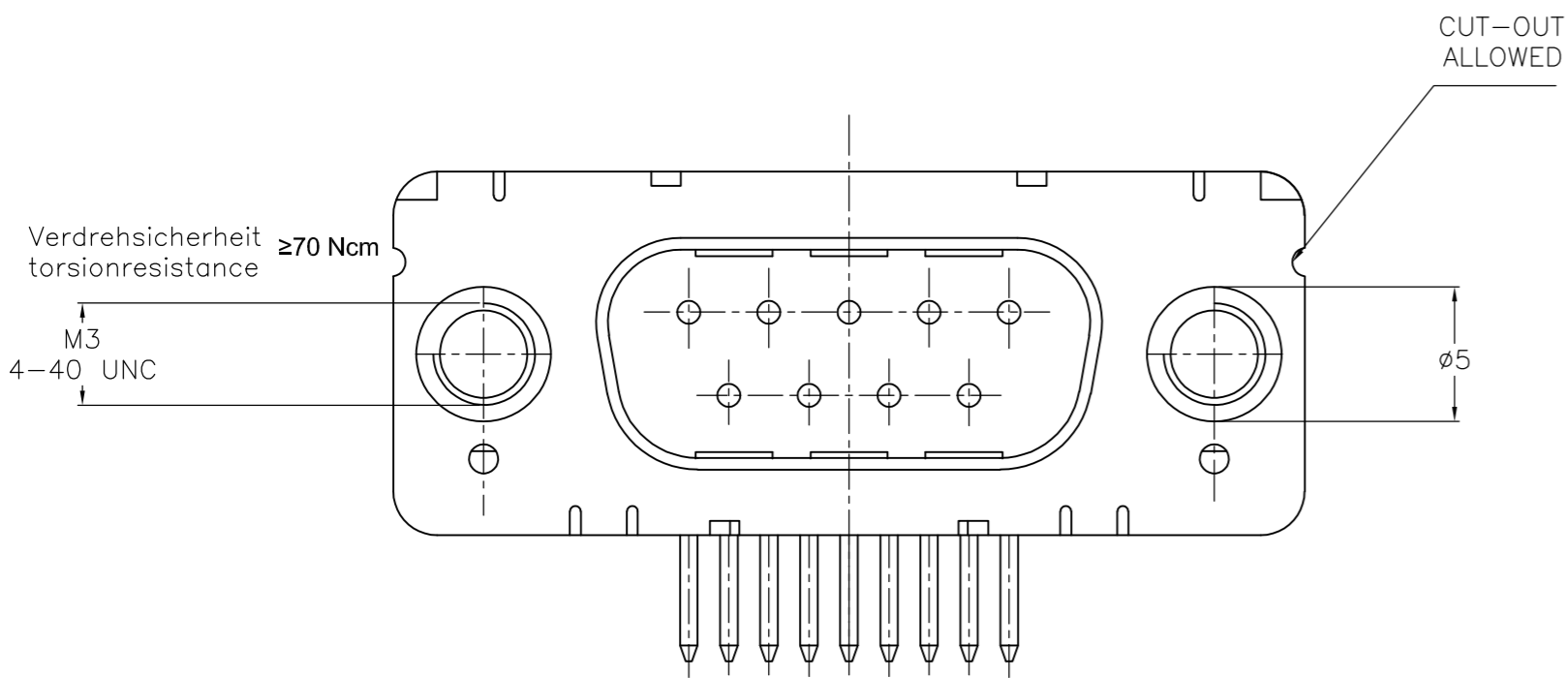
| Sachnr/Ordernr V23529- | Y |
|---------------------------|------|
| A501x-Cxxx-+ | 2,84 |
| A502x-Cxxx-+ | 2,54 |

| | | | | | |
|---------------------------------------------------------------------------------------------------------------------------------|--|----------------------------------|-------------------|-------------------------------------------------------------------------------------------------------------------------------------------|---------------------------|
| THIS DRAWING IS A CONTROLLED DOCUMENT. DIMENSIONING AND TOLERANCING PER ASME Y14.5M-2009 | | DWN GNANI JADAV A E | 07JAN10 | STE TE Connectivity | |
| DIMENSIONS: mm | | CHK K.MALCZYK | APVD K.MALCZYK | | |
| TOLERANCES UNLESS OTHERWISE SPECIFIED: 0 PLC ± - 1 PLC ± - 2 PLC ± - 3 PLC ± - 4 PLC ± - ANGLES ± - FINISH | | PRODUCT SPEC APPLICATION SPEC | | NAME Stiftleiste-90° Lötanschluss (Variant 2 und 3) ¹⁾ Pinconnector-90° solderversion (Type 2 and 3) ¹⁾ | |
| MATERIAL | | WEIGHT | SIZE A2 | CAGE CODE 00779 | DRAWING NO C-1393478-8 |
| | | CUSTOMER DRAWING | | SCALE 2:1 | SHEET 5 of 8 |

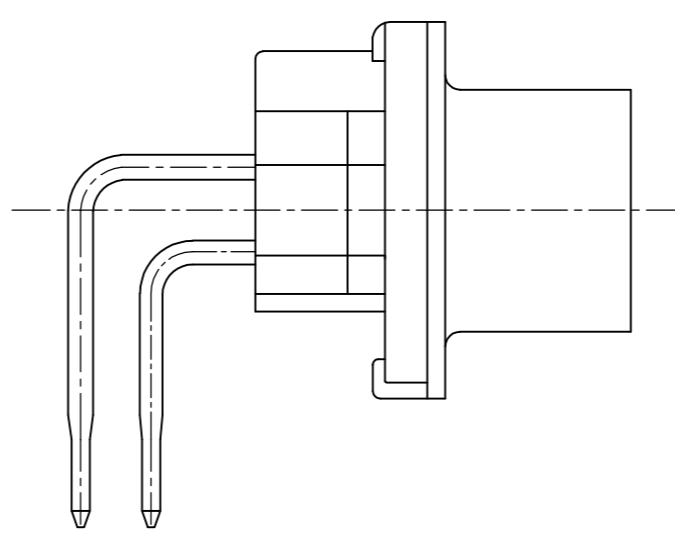
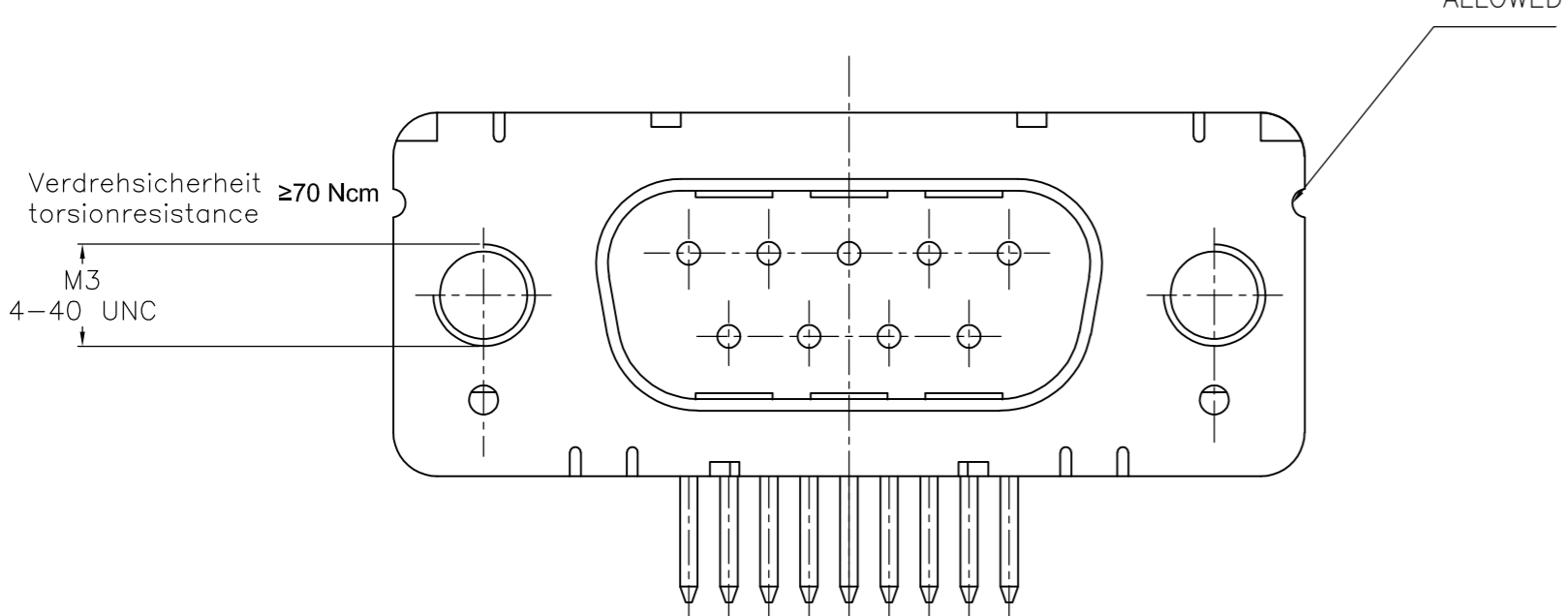
THIS DRAWING IS UNPUBLISHED. RELEASED FOR PUBLICATION
 © COPYRIGHT - By - ALL RIGHTS RESERVED.

| REVISIONS | | | | |
|-----------|-----|-------------|------|------|
| P | LTR | DESCRIPTION | DATE | APVD |
| - | - | SEE SHEET 1 | - | - |

mit Gewindebolzen: M3 V23529-A50x4-Cxxx-+
 with thread lock 4-40 UNC V23529-A50x5-Cxxx-+



mit Gewinde: M3 V23529-A50x2-Cxxx-+
 with thread 4-40 UNC V23529-A50x3-Cxxx-+



| Mass Dimension | Polzahl n Number of contacts n | | | |
|----------------|-----------------------------------|-------|-------|-------|
| | 9 | 15 | 25 | 37 |
| C | 25 | 33,3 | 47,04 | 63,5 |
| H | 10,96 | 19,18 | 33,12 | 49,68 |
| K | 8,22 | 16,44 | 30,36 | 46,92 |
| X | 2,74 | 2,74 | 2,76 | 2,76 |
| Y | 2,54 ^{ger} | | 2,84 | |

1) nach DIN 41652 T,2 UND T,4
 according to DIN 41652 p,2 AND p,4

OLD PN: V23529-A****C***-*-7427

| | | | |
|---------------------------------------------------------------------------------------------|-----------|---------------------------------|-------------------------------------------------------------------------------------------------------------------------------------------|
| THIS DRAWING IS A CONTROLLED DOCUMENT. DIMENSIONING AND TOLERANCING PER ASME Y14.5M-2009 | | DWN: 07JAN10 GNANI JADAV A E | STE TE Connectivity |
| DIMENSIONS: mm | | CHK: K.MALCZYK | |
| TOLERANCES UNLESS OTHERWISE SPECIFIED: | | APVD: K.MALCZYK | NAME: Stifteleiste-90° Lötanschluss (Variant 2 und 3) ¹⁾ Pinconnector-90° solder version (Type 2 and 3) ¹⁾ |
| 0 PLC ± - 1 PLC ± - 2 PLC ± - 3 PLC ± - 4 PLC ± - ANGLES ± - | | PRODUCT SPEC: - | |
| MATERIAL: - | FINISH: - | APPLICATION SPEC: - | SIZE: A2 |
| | | WEIGHT: - | CAGE CODE: 00779 |
| | | DRAWING NO: C-1393478-8 | |
| | | RESTRICTED TO: - | |
| | | CUSTOMER DRAWING | |
| | | SCALE: 2:1 | SHEET: 6 of 8 |
| | | REV: H | |

THIS DRAWING IS UNPUBLISHED. RELEASED FOR PUBLICATION
 © COPYRIGHT - By - ALL RIGHTS RESERVED.

| REVISIONS | | | | |
|-----------|-----|-------------|------|------|
| P | LTR | DESCRIPTION | DATE | APVD |
| - | - | SEE SHEET 1 | - | - |

V 2 3 5 2 9 - A * * * * - C * * * - +

| | Winkelausführung Beschriftung | // bracket type marking |
|---|------------------------------------------------------|------------------------------------------------|
| 1 | Metallwinkel mit Hersteller-Beschriftung | // metal bracket producer marking |
| 2 | Metallwinkel ohne Beschriftung | // metal bracket no marking |
| 3 | Metallwinkel Isoliert mit Hersteller-Beschriftung | // metal bracket insulated producer marking |
| 4 | Metallwinkel Isoliert ohne Beschriftung | // metal bracket insulated no marking |
| 5 | ohne Metallwinkel mit Hersteller-Beschriftung | // without metal bracket producer marking |

| Leiterplattenbefestigung //PCB mounting | | |
|-----------------------------------------|----------------------|-------------------------|
| 0 | ohne LP-Befestigung | // none |
| 1 | Loch $\varnothing 3$ | // hole $\varnothing 3$ |
| 2 | mit Clip | // snap-in |
| 3 | mit Gewinde M3 | // thread M3 |

| SUFFIX | | |
|----------------------|------------------------------------------------------|----------------------------------------------------------|
| -(ohne) (without) | Isolierteil grau RAL 7035 | // Insulation piece grey RAL 7035 |
| S | Isolierteil schwarz RAL 9005 | // Insulation piece black RAL 9005 |
| H | Isolierteil schwarz RAL 9005 Sonderbeschriftung H | // Insulation piece black RAL 9005 customer marking H |
| T | Isolierteil schwarz hochtemperaturbeständig | // Insulation piece black high temperature resistant |

| Anschlußvarianten // contact type | | |
|-----------------------------------|-----------------------------------------|---------------------------------------------|
| 1 | Stiellänge 3,2 mm Raster 2,84 x 2,76 | // pin length 3,2 mm spacing 2,84 x 2,76 |
| 2 | Stiellänge 3,2 mm Raster 2,54 x 2,76 | // pin length 3,2 mm spacing 2,54 x 2,76 |

| Steckerbefestigung // connector mounting | | |
|------------------------------------------|-----------------------|--------------------------------|
| 1 | Loch $\varnothing 3$ | // hole $\varnothing 3$ |
| 2 | Gewinde M3 | // thread M3 |
| 3 | Gewinde 4-40UNC | // thread 4-40UNC |
| 4 | Gewindebolzen M3 | // stud bolt screwlock M3 |
| 5 | Gewindebolzen 4-40UNC | // stud bolt screwlock 4-40UNC |


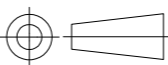
| Polzahl // No. of contacts | | |
|----------------------------|----------|----------------|
| 09 | 9 polig | // 9-contacts |
| 15 | 15 polig | // 15-contacts |
| 25 | 25 polig | // 25-contacts |
| 37 | 37 polig | // 37-contacts |

| kontaktoberfläche / Anforderungsstufe contact surface / performance level | | | |
|---------------------------------------------------------------------------|--------------------------|---------------------------------------|------|
| 1 | Au | / Güte // Au | / PL |
| 2 | Au OR Au FLASH OVER PdNi | / Güte // Au OR Au FLASH OVER PdNi | / PL |

| Steckerart // connector type | |
|------------------------------|------------------------------------------------------------------------|
| C | Stiftleiste mit Schirnfiederung // pinconnector with grounding fingers |

1) nach DIN 41652 T.2 und T.4
 according to DIN 41652 p.2 and p.4

OLD PN: V23529-A*****C***-*-7427

| | | | | | |
|-----------------------------------------------------------------------------------------------------------------------------------|--|------------------------|-------------|--------------------------------------------------------------------------------------------------------------------------------------------|--------------------|
| THIS DRAWING IS A CONTROLLED DOCUMENT. DIMENSIONING AND TOLERANCING PER ASME Y14.5M-2009 | | DWN GNANI JADAV A E | 07JAN10 |  TE Connectivity | |
| DIMENSIONS: mm | | CHK K.MALCZYK | - | | |
|  | | APVD K.MALCZYK | - | NAME Stiftleiste-90° Lötanschluss (Variant 2 und 3) ¹⁾ Pinconnector-90° solder version (Type 2 and 3) ¹⁾ | |
| TOLERANCES UNLESS OTHERWISE SPECIFIED: 0 PLC ± - 1 PLC ± - 2 PLC ± - 3 PLC ± - 4 PLC ± - ANGLES ± - FINISH - | | PRODUCT SPEC - | - | SIZE A2 | CAGE CODE 00779 |
| MATERIAL - | | APPLICATION SPEC - | WEIGHT - | DRAWING NO. C-1393478-8 | RESTRICTED TO - |
| CUSTOMER DRAWING | | | | SCALE 2:1 | SHEET 7 of 8 |
| | | | | REV H | |

THIS DRAWING IS UNPUBLISHED. RELEASED FOR PUBLICATION
 © COPYRIGHT - By - ALL RIGHTS RESERVED.

| REVISIONS | | | | |
|-----------|-----|-------------|------|------|
| P | LTR | DESCRIPTION | DATE | APVD |
| - | - | SEE SHEET 1 | - | - |

Active part numbers. Contact Tyco Electronics for other configuration availability

| Old Part Number | TE Part Number | | PRIMARY | SECONDARY |
|-------------------|----------------|------------|---------|-----------|
| V23529-A1111-C109 | 1393478-8 | 2 OBSOLETE | | |
| V23529-A1111-C209 | 1-1393478-0 | OBSOLETE | | |
| V23529-A1111-C215 | 1-1393478-1 | OBSOLETE | | |
| V23529-A1111-C225 | 1-1393478-2 | OBSOLETE | | |
| V23529-A1111-C237 | 1-1393478-3 | 3 | | |
| V23529-A1113-C209 | 2-1393478-4 | 2 OBSOLETE | | |
| V23529-A1115-C209 | 3-1393478-0 | OBSOLETE | | |
| V23529-A1115-C215 | 3-1393478-1 | OBSOLETE | | |
| V23529-A1115-C225 | 3-1393478-2 | 3 | | |
| V23529-A1115-C237 | 3-1393478-3 | OBSOLETE | | |
| V23529-A1121-C209 | 4-1393478-4 | OBSOLETE | | |
| V23529-A1121-C215 | 4-1393478-5 | 3 | | |
| V23529-A1121-C237 | 4-1393478-6 | OBSOLETE | | |
| V23529-A1122-C115 | 5-1393478-4 | 2 OBSOLETE | | |
| V23529-A1122-C209 | 5-1393478-5 | OBSOLETE | | |
| V23529-A1122-C237 | 5-1393478-6 | 2 OBSOLETE | | |
| V23529-A1123-C209 | 6-1393478-3 | OBSOLETE | | |
| V23529-A1123-C215 | 6-1393478-4 | OBSOLETE | | |
| V23529-A1123-C225 | 6-1393478-5 | 3 | | |
| V23529-A1123-C237 | 6-1393478-6 | OBSOLETE | | |
| V23529-A1124-C109 | 7-1393478-3 | OBSOLETE | | |
| V23529-A1125-C209 | 8-1393478-0 | OBSOLETE | | |
| V23529-A1125-C237 | 8-1393478-1 | OBSOLETE | | |
| V23529-A1215-C209 | 1393479-4 | 3 | | |
| V23529-A1221-C109 | 1-1393479-4 | 2 OBSOLETE | | |
| V23529-A1221-C215 | 1-1393479-8 | OBSOLETE | | |
| V23529-A1221-C225 | 1-1393479-9 | 2 OBSOLETE | | |
| V23529-A1222-C109 | 3-1393479-1 | OBSOLETE | | |
| V23529-A1222-C209 | 3-1393479-3 | OBSOLETE | | |
| V23529-A1222-C215 | 3-1393479-4 | OBSOLETE | | |
| V23529-A1222-C225 | 3-1393479-5 | OBSOLETE | | |
| V23529-A1222-C237 | 3-1393479-6 | OBSOLETE | | |
| V23529-A1223-C109 | 4-1393479-2 | | | |
| V23529-A1223-C209 | 4-1393479-3 | | | |
| V23529-A1223-C215 | 4-1393479-4 | | | |
| V23529-A1223-C225 | 4-1393479-5 | | | |
| V23529-A1223-C237 | 4-1393479-6 | OBSOLETE | | |
| V23529-A1225-C209 | 6-1393479-4 | OBSOLETE | | |
| V23529-A1225-C215 | 6-1393479-5 | 3 | | |
| V23529-A1225-C225 | 6-1393479-6 | 3 | | |
| V23529-A1112-C225 | 2-1393478-1 | OBSOLETE | | |


| Old Part Number | TE Part Number | | PRIMARY | SECONDARY |
|-------------------|----------------|------------|------------|-----------|
| V23529-A1225-C237 | 6-1393479-7 | 2 OBSOLETE | | |
| V23529-A3113-C209 | 7-1393479-7 | OBSOLETE | | |
| V23529-A3121-C109 | 8-1393479-6 | OBSOLETE | | |
| V23529-A3121-C209 | 8-1393479-8 | SUPERSEDED | 5-338168-2 | |
| V23529-A3121-C215 | 8-1393479-9 | SUPERSEDED | 5-338169-2 | |
| V23529-A3121-C225 | 9-1393479-0 | SUPERSEDED | 5-338170-2 | |
| V23529-A3121-C237 | 9-1393479-1 | SUPERSEDED | 5-338171-2 | |
| V23529-A3122-C209 | 5-1393487-8 | SUPERSEDED | 7-338168-2 | |
| V23529-A3122-C215 | 5-1393487-9 | SUPERSEDED | 7-338169-2 | |
| V23529-A3122-C237 | 9-1393479-5 | SUPERSEDED | 7-338171-2 | |
| V23529-A3125-C109 | 9-1393479-8 | OBSOLETE | | |
| V23529-A3125-C209 | 1393480-1 | SUPERSEDED | 8-338168-2 | |
| V23529-A3125-C215 | 6-1393487-2 | SUPERSEDED | 8-338169-2 | |
| V23529-A3125-C225 | 6-1393487-3 | SUPERSEDED | 8-338170-2 | |
| V23529-A3125-C237 | 6-1393487-4 | SUPERSEDED | 8-338171-2 | |
| V23529-A3212-C209 | 1393480-4 | OBSOLETE | | |
| V23529-A3221-C209 | 6-1393487-9 | SUPERSEDED | 0-338168-2 | |
| V23529-A3221-C215 | 7-1393487-0 | SUPERSEDED | 0-338169-2 | |
| V23529-A3221-C225 | 7-1393487-1 | SUPERSEDED | 0-338170-2 | |
| V23529-A3221-C237 | 7-1393487-2 | SUPERSEDED | 0-338171-2 | |
| V23529-A3222-C209 | 7-1393487-7 | SUPERSEDED | 2-338168-2 | |
| V23529-A3222-C215 | 7-1393487-8 | SUPERSEDED | 2-338169-2 | |
| V23529-A3222-C225 | 7-1393487-9 | SUPERSEDED | 2-338170-2 | |
| V23529-A3222-C237 | 8-1393487-0 | SUPERSEDED | 2-338171-2 | |
| V23529-A3223-C209 | 1392010-9 | SUPERSEDED | 1-338168-2 | |
| V23529-A3223-C215 | 1-1393480-1 | SUPERSEDED | 1-338169-2 | |
| V23529-A3223-C225 | 1-1392010-0 | SUPERSEDED | 1-338170-2 | |
| V23529-A3223-C237 | 1-1392010-1 | SUPERSEDED | 1-338171-2 | |
| V23529-A3225-C209 | 1-1393480-5 | SUPERSEDED | 3-338168-2 | |
| V23529-A3225-C215 | 8-1393487-5 | SUPERSEDED | 3-338169-2 | |
| V23529-A3225-C225 | 8-1393487-6 | SUPERSEDED | 3-338170-2 | |
| V23529-A3225-C237 | 8-1393487-7 | SUPERSEDED | 3-338171-2 | |
| V23529-A3213-C209 | 1393480-8 | OBSOLETE | | |
| V23529-A3111-C209 | 7-1393479-1 | OBSOLETE | | |
| V23529-A3113-C209 | 7-1393479-7 | OBSOLETE | | |
| V23529-A3113-C215 | 7-1393479-9 | OBSOLETE | | |
| V23529-A3122-C225 | 9-1393479-4 | SUPERSEDED | 7-338170-2 | |
| V23529-A3125-C137 | 9-1393479-9 | OBSOLETE | | |

OLD PN: V23529-A****C***-*-7427

1) nach DIN 41652 T.2 und T.4 according to DIN 41652 p.2 and p.4

2 OBSOLETE PARTS: OBSOLETE CIS STREAMLINING PER D.RENAUD/D.SINISI

3 OBSOLETE

| | | | | |
|------------------------------------------------------------------------------------------|--------|--------------------------------|---------------------------------------------------------------------------------------------------------------------------------|-----------------|
| THIS DRAWING IS A CONTROLLED DOCUMENT. DIMENSIONING AND TOLERANCING PER ASME Y14.5M-2009 | | DWN 07JAN10 GNANI JADAV A E |  TE Connectivity | |
| DIMENSIONS: mm | | CHK K.MALCZYK | | |
| TOLERANCES UNLESS OTHERWISE SPECIFIED: | | APVD K.MALCZYK | NAME Stifteiste-90° Lötanschluss (Variant 2 und 3) ¹⁾ Pinconnector-90° solderversion (Type 2 and 3) ¹⁾ | |
| 0 PLC ± - 1 PLC ± - 2 PLC ± - 3 PLC ± - 4 PLC ± - ANGLES ± - | | PRODUCT SPEC | | |
| MATERIAL | FINISH | APPLICATION SPEC | SIZE A2 | CAGE CODE 00779 |
| CUSTOMER DRAWING | | WEIGHT | DRAWING NO C=1393478-8 | RESTRICTED TO |
| | | SCALE 2:1 | SHEET 8 of 8 | REV H |