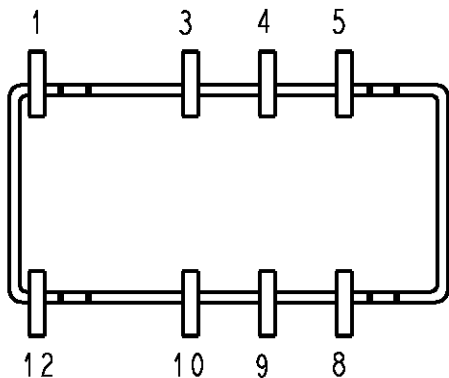
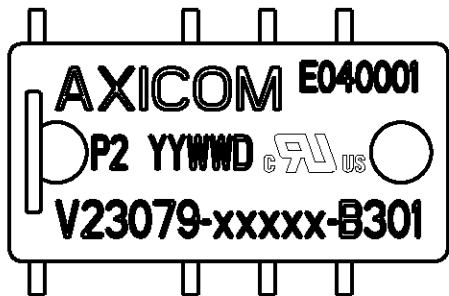
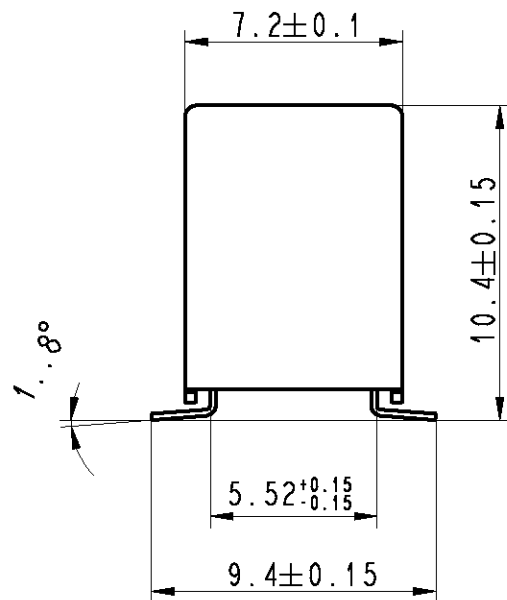
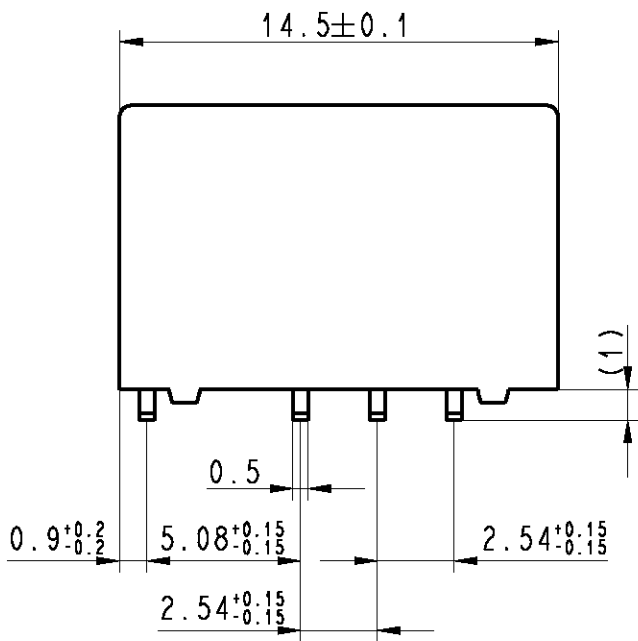


LOC	DIST	REVISIONS					
		P	LTR	DESCRIPTION	DATE	DWN	APVD
HJ	-		C2	REVISED PER ECO-11-005150	25MAR11	RK	HMR



Relay - bottom view



xxxxx = Relay type  
YYWWD = Date code

DRAWING ALIAS C23303-A079-A004

RELEASED FOR PUBLICATION

ALL RIGHTS RESERVED.

THIS DRAWING IS UNPUBLISHED.

BY -  
© COPYRIGHT

DIMENSIONS: mm  TOLERANCES UNLESS OTHERWISE SPECIFIED: DIN 7168-m  0 PLC ±- 1 PLC ± 2 PLC ± 3 PLC ± 4 PLC ± ANGLES ±-	DWN Korytak 02Jun2004 CHK Korytak 02Jun2004 APVD Korytak 02Jun2004	MATERIAL	FINISH
	PRODUCT SPEC -  APPLICATION SPEC -  WEIGHT -	<b>TE</b> TE Connectivity NAME P2-Relay SMT W Dimensions SIZE A4 CAGE CODE 00779 DRAWING NO C-1393788-4 RESTRICTED TO -	
CUSTOMER DRAWING		SCALE 4:1	SHEET 1 OF 1 REV C2