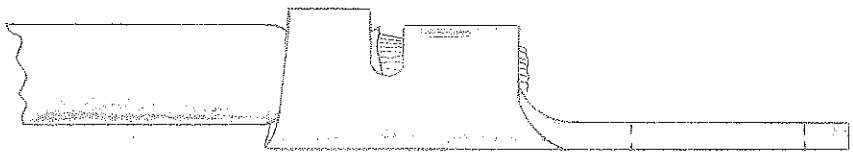
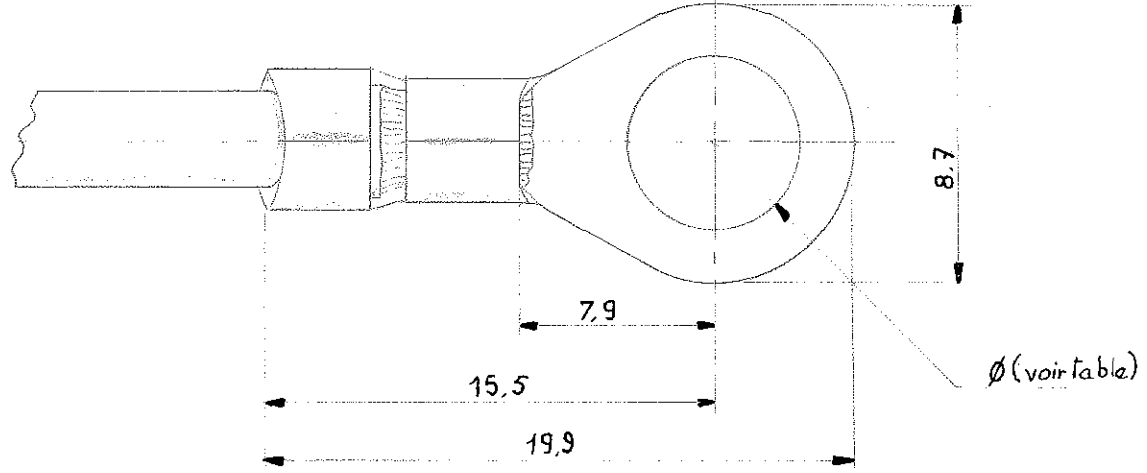


DIMENSIONS IN MM —DO NOT SCALE PRINT

NUMBER
C-140527-32



2,5 à 3,5

A - LAITON
A2 - LAITON ETAME

| | | | |
|----------|-----------------|-----|------|
| OBSOLETE | 140854.2 | A2 | 6,75 |
| OBSOLETE | 140854.1 | A | 6,75 |
| OBSOLETE | 140 546 | A2 | 6,35 |
| OBSOLETE | 140 545 | A | 6,35 |
| OBSOLETE | 140 532 | A2 | 5,2 |
| OBSOLETE | 140 531 | A | 5,2 |
| OBSOLETE | 140 530 | A2 | 4,3 |
| OBSOLETE | 140 529 | A | 4,3 |
| OBSOLETE | 140 528 | A2 | 3,1 |
| OBSOLETE | 140 527 | A | 3,1 |
| | N ^{os} | MAT | "D" |

CUSTOMER PRINT FOR REFERENCE ONLY

©1959 BY AMP INCORPORATED. ALL RIGHTS RESERVED. AMP PRODUCTS COVERED BY PATENTS AND/OR PATENTS PENDING.

| | | | | | | | | | | | | | |
|-----------------------|----|----|----|----|----|----|----|----|------------------------|-----------------|---------------------------------|---------------------------|----------|
| -9 | -8 | -7 | -6 | -5 | -4 | -3 | -2 | -1 | DWG SIZE | NUMBER | NAME | REMARKS | ITEM NO. |
| REQUIRED PER ASSEMBLY | | | | | | | | | MATERIAL | HEAT TREAT | FINISH | | |
| | | | | | | | | | Laiton epaisseur 0,6mm | | | | |
| | | | | | | | | | DR. Raymond | DATE 12-7-60 | APP. | DATE REL | |
| | | | | | | | | | CHK. Courty | DATE 12-7-60 | APP. | DATE FIRST USED | |
| | | | | | | | | | TYPE Auto. | PRINT DIST | LOC | SIZE NUMBER A C-140527-32 | |
| | | | | | | | | | SCALE | WIRE SIZE 18-14 | mm ² MAX. 2 MIN. 0,8 | NAME RING TONGUE | |
| DESCRIPTION | | | | | | | | | | | | REV C | |

DIFF. 46