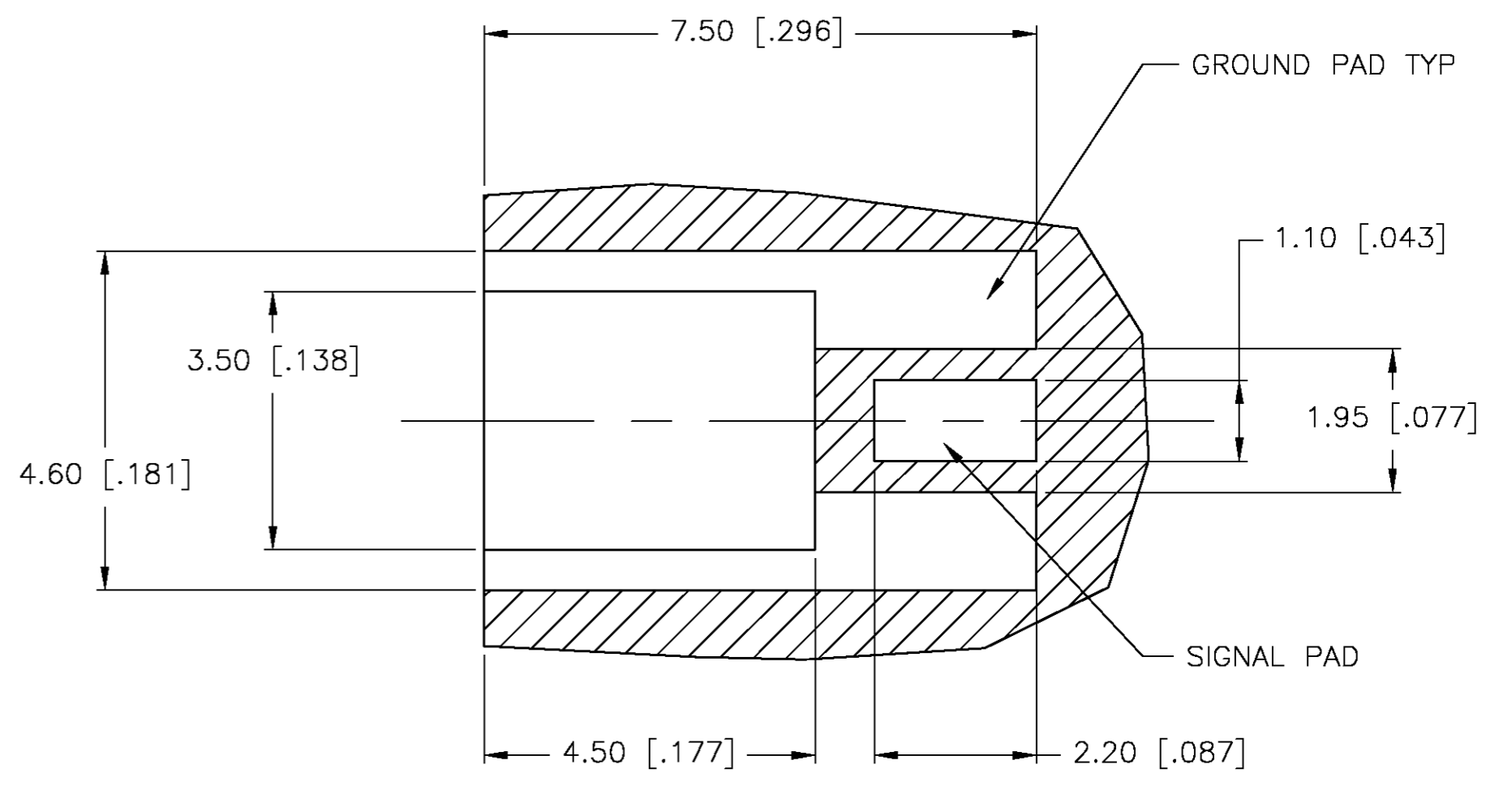
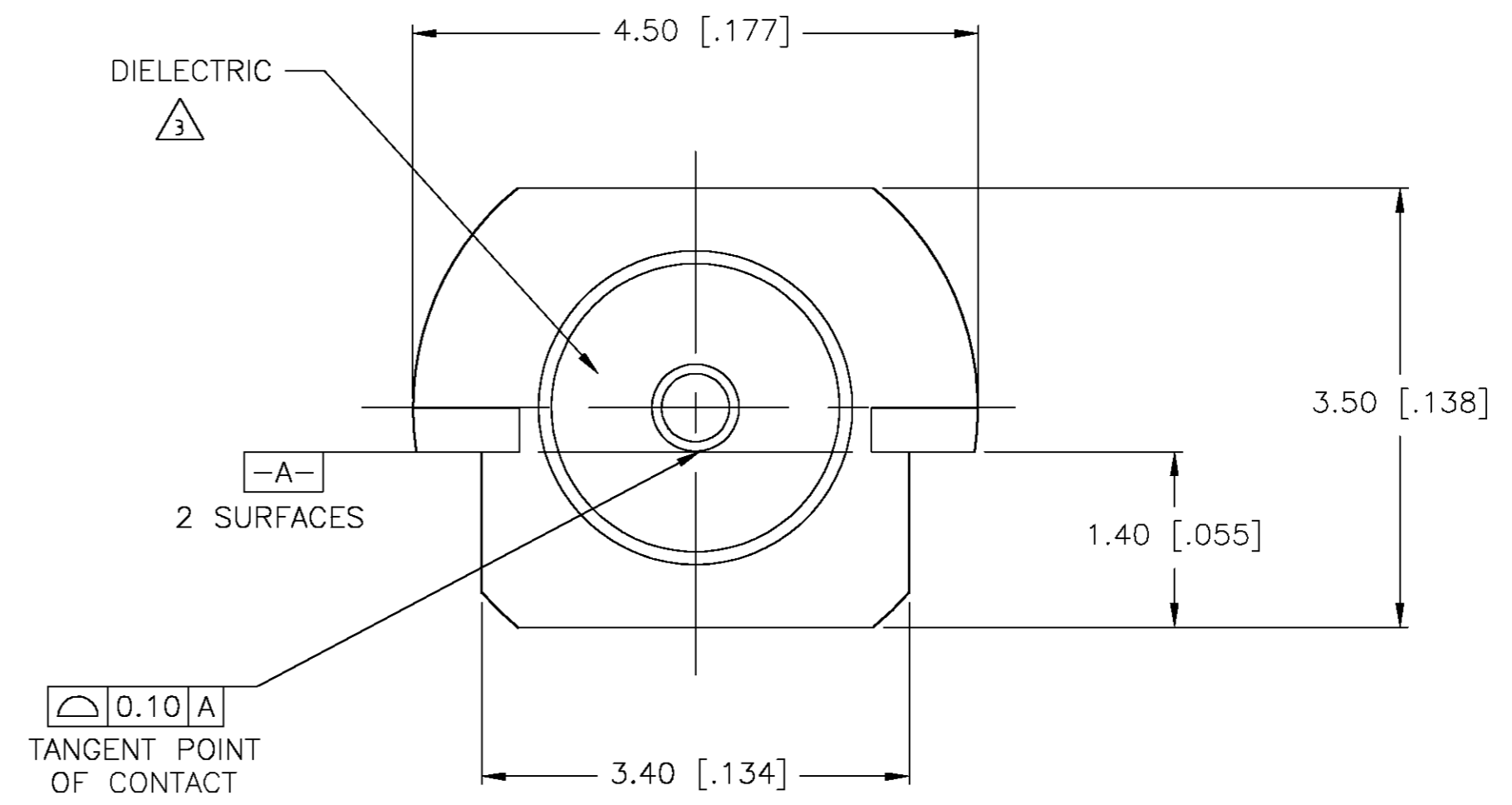
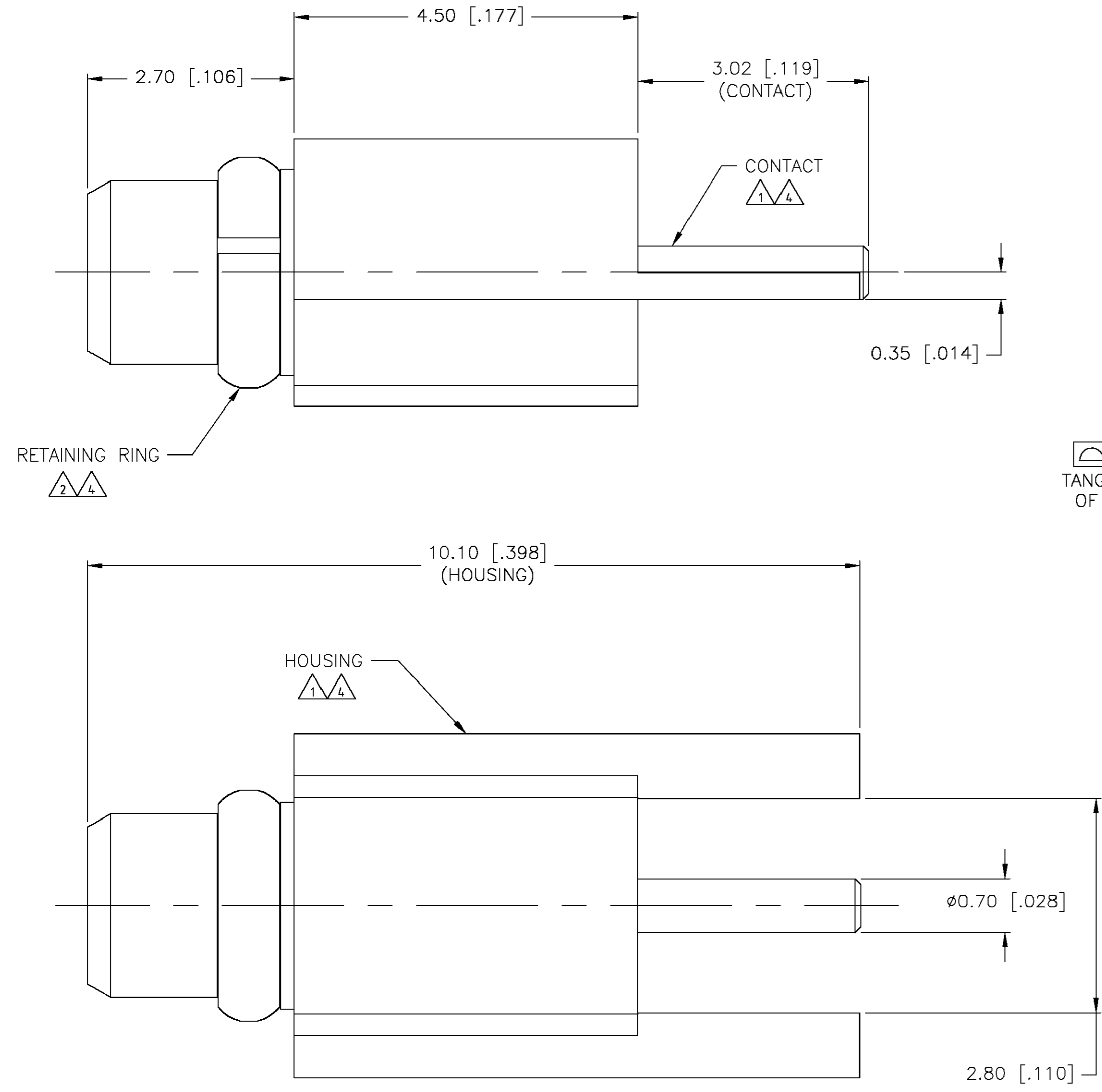


THIS DRAWING IS UNPUBLISHED. RELEASED FOR PUBLICATION
 © COPYRIGHT BY TYCO ELECTRONICS CORPORATION. ALL RIGHTS RESERVED.

Loc		DIST		REVISIONS			
P	LTR	DESCRIPTION	DATE	DWN	APVD		
AJ	-	B	REV PER 0514-0018-03	27JAN03	KW	KW	



- △1 BRASS PER ASTM-B-16
- △2 BERYLLIUM COPPER PER ASTM-B-196
- △3 PTFE PER ASTM-D-1710
- △4 GOLD PLATE PER MIL-G-45204

1408120-1
 PART NUMBER

THIS DRAWING IS A CONTROLLED DOCUMENT.		DWN	17DEC2001	Tyco Electronics Corporation Middletown, PA 17057	
DIMENSIONS: MM [INCHES]		CHK	02NOV00	NAME	
TOLERANCES UNLESS OTHERWISE SPECIFIED:		APVD	02NOV00	PRODUCT SPEC	
0 PLC ± -		RMF		108-2084	
1 PLC ± 0.26 [.010]		RMF		APPLICATION SPEC	
2 PLC ± 0.13 [.005]		RMF		SIZE	
3 PLC ± -		RMF		CAGE CODE	
4 PLC ± -		RMF		DRAWING NO	
ANGLES ± 1		RMF		RESTRICTED TO	
FINISH		WEIGHT		SCALE	
-		0.20G/.007 OZ		20:1	
		CUSTOMER DRAWING		SHEET 1 OF 1	
		A2 00779 C=1408120		REV B	