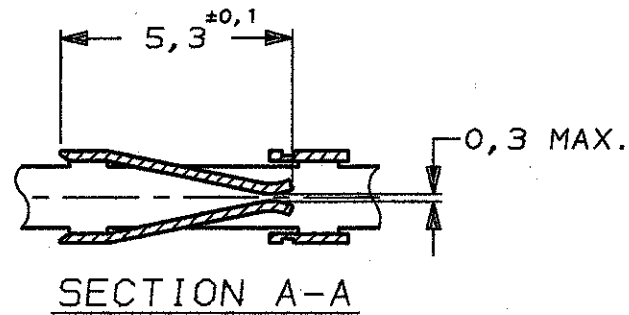


DO NOT SCALE

DIMENSIONS IN mm

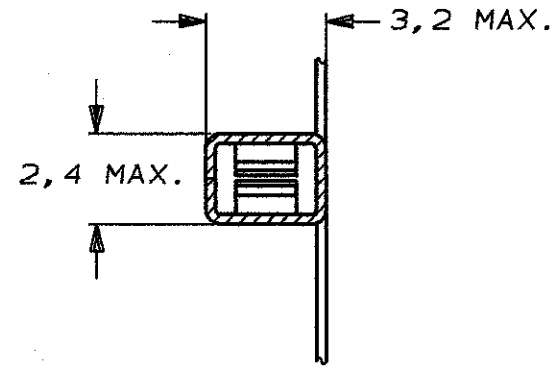
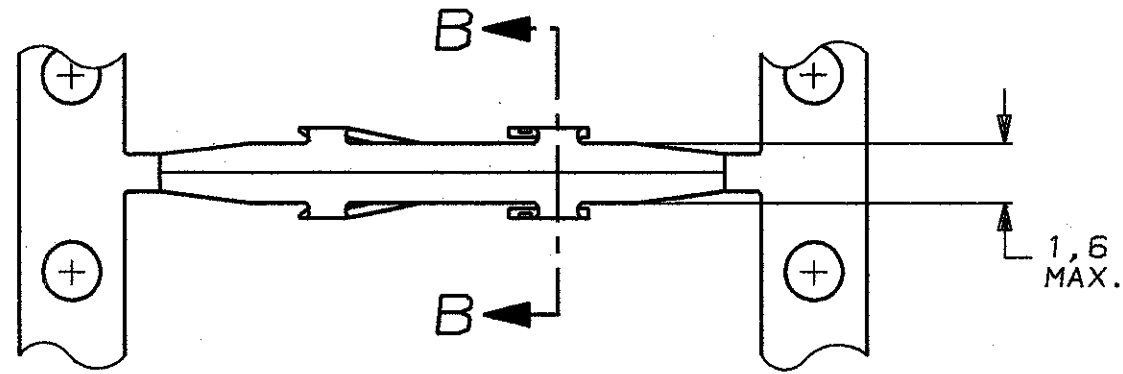
METRIC

THIRD ANGLE
PROJECTION



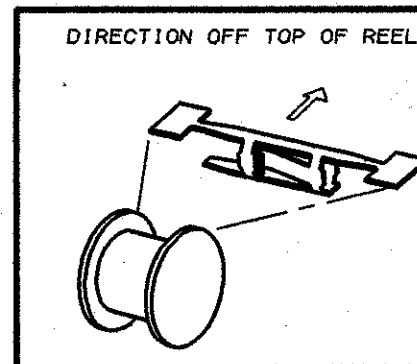
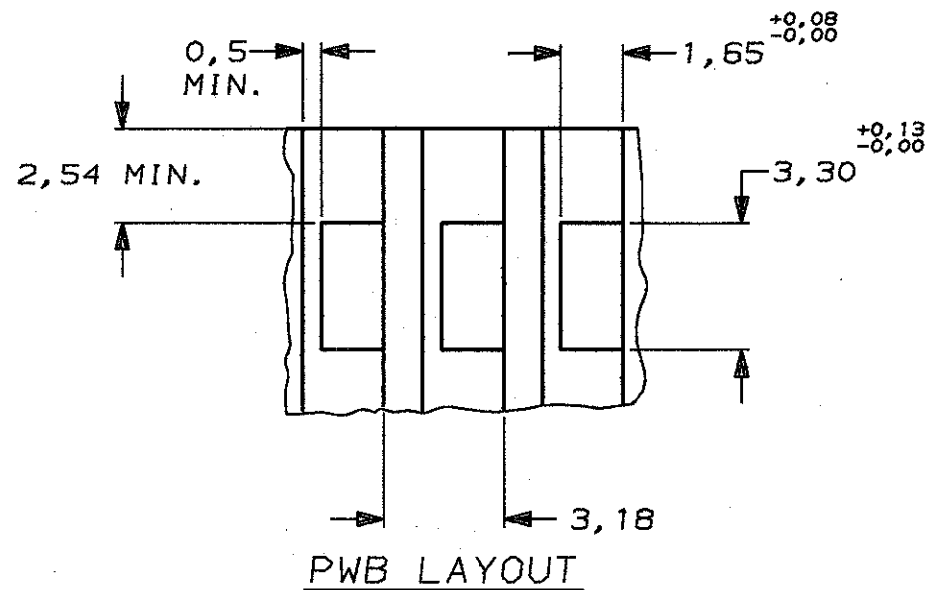
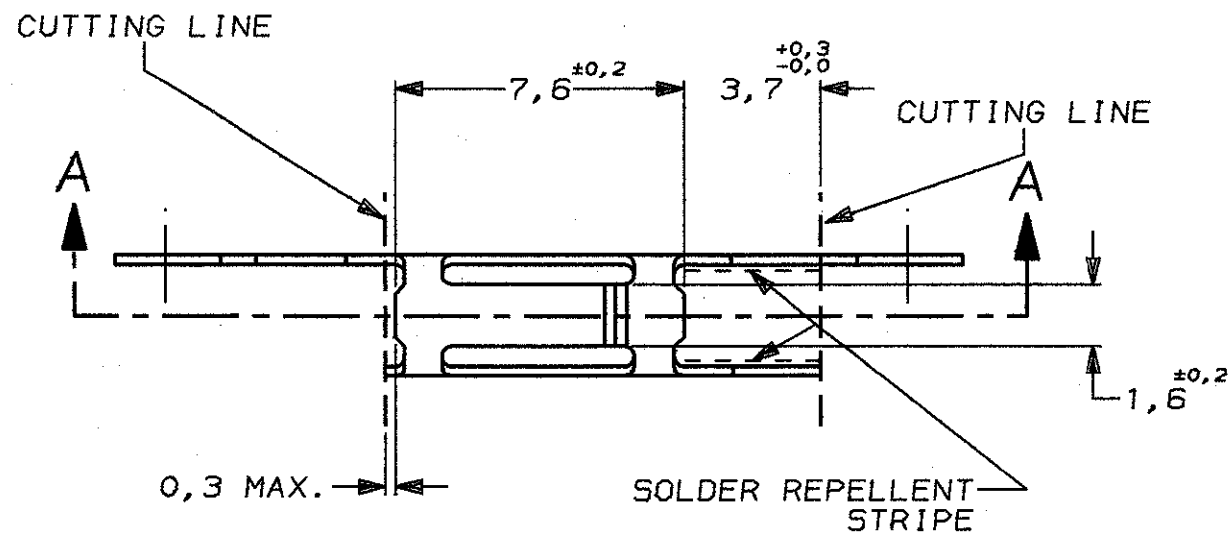
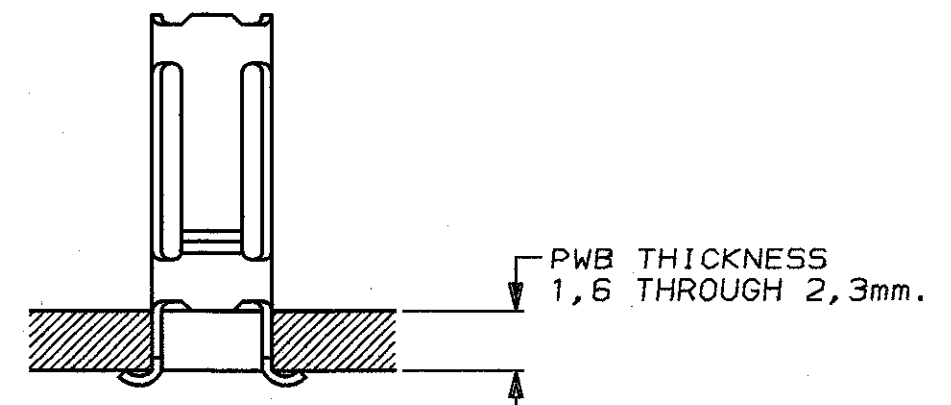
NOTE:

1 MATERIAL: PHOSPHORBRONZE; 0,8µm PRETINNED WITH SOLDER REPELLENT STRIPE.



SECTION B-B

POST ENTRY



DIE FEED
±.003
.500

APPL. FEED
±.003
.500

0	EH-0365-93	JvdH	D. S.	07-06-93
LTR.	REVISION RECORD	DR.	CHK.	DATE
DR.	J. V. D. HEIJDEN.	CHK.	D. SMAKMAN.	APP.
DATE:	07-06-93	DATE:	-	DATE:

FINISH	142166-1	142166-2
	PARTNUMBER STRIP	PARTNUMBER L.P.
CUSTOMER DRAWING FOR REFERENCE ONLY WILL NOT BE UPDATED		
© COPYRIGHT 19- BY AMP HOLLAND B.V. ALL INTERNATIONAL RIGHTS RESERVED. AMP PRODUCTS MAY BE COVERED BY U.S. AND FOREIGN AND/OR PATENTS PENDING. THIS DRAWING IS UNPUBLISHED RELEASED FOR PUBLICATION		
AMP		AMP HOLLAND B.V. s-Hertogenbosch, The Netherlands.
NAME AMP MODU MODI FEMALE CONTACT TOP ENTRY (TYPE B)		
DWG. No.	REV. LTR.	SHEET
C-142166	0	1 OF 1