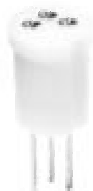


REVISIONS

| P | LTR | DESCRIPTION | DATE | DWN | APVD |
|---|-----|-------------|-----------|-----|------|
| | A | RELEASED | 08MAY2017 | R.Z | C.W |

Transistor Sockets

8058 & 8060 Series



8060-1G11



8060-1G6

FEATURES:

The 8058/8060 family of teflon sockets, with beryllium copper contacts, offers many features which allow them to be utilized in the most severe applications. Low profile for close board spacing, closed sleeve for 100% prevention of solder and flux wicking. A choice of many terminal styles for greater packaging selection and ease of use. Many of these sockets meet or exceed MIL-S-83502/2 and MIL-S-83502/5.

- Two-piece socket terminal - four fingered inner contact and machined outer sleeve
- Low profile for tight space applications
- Sockets accept 0,41/.016 to 0,51/.020 diameter leads
- Printed circuit, solder pocket and turret style terminations available
- Closed entry-design no distortion or damage to contact with misaligned or oversized leads

MATERIAL SPECIFICATIONS:

InsulatorTeflon
 SleeveBrass
 Contact PlatingBeryllium copper
 PlatingContact gold, sleeve gold

Note: Before ordering, see Cross Reference in Section 15 for equivalent Tyco Electronics Part Number.

PERFORMANCE SPECIFICATIONS:

MECHANICAL

VibrationPassed MIL-STD -1344, Method 2005, 15 G's, 10 to 2,000 cycles
 Mechanical ShockPassed MIL-STD -1344, Method 2004, 10 G's, 1 to 9,000 cycles
 Durability50 Insertions and withdrawals, MIL-S-83502/ 1, Sec. 4.7.12
 Insertion Force4.0 lb. max., .020 dia. +.0002 probe
 Withdrawal Force14 Grams (1/2 oz.) min. .016 dia. +.0002 probe
 SolderabilityMIL-STD- 202, Method 208

ELECTRICAL

Bulk Contact
 Resistance20 Milliohms max. per MIL-S-83502/1
 Current Rating3 Amp DC, contact rating
 Operating Voltage500 VDC @ atmospheric pressure
 Dielectric Withstanding
 Voltage600 VAC per MIL-STD -1344 , Method 3001
 Insulation Resistance2 x 10⁶ Megohms, MIL-STD -1344, Method 3003
 Capacitance2 pF Max., MIL-STD -202, Method 305

ENVIRONMENTAL

Operating Temperature-55°C to +125°C
 Corrosive Atmosphere30 milliohms, ammonium polysulfide 10 ppm per MIL-S-83502/1 Sec. 4.7.17
 Moisture Resistance30 Milliohms max., MIL-STD -202, Method 106
 Thermal ShockMIL-STD -1344, Method 1003

THIS DRAWING IS UNPUBLISHED.

ALL RIGHTS RESERVED.

© COPYRIGHT - By -

| | | | | | | |
|--|------------------|-----------|---------------|-------|--------------|------------------|
| DIMENSIONS: INCHES | DWN | 08MAY2017 | MATERIAL | - | FINISH | - |
| | CHK | 08MAY2017 | | | | |
| TOLERANCES UNLESS OTHERWISE SPECIFIED: | APVD | 08MAY2017 | | | | |
| 0 PLC ± - | PRODUCT SPEC | - | | | | |
| 1 PLC ± - | APPL. SPEC | - | NAME | | | 8058&8060 SERIES |
| 2 PLC ± - | WEIGHT | - | SIZE | | | A4 |
| 3 PLC ± - | | - | CAGE CODE | | 00779 | |
| 4 PLC ± - | | | DRAWING NO | | C= 1437504-4 | |
| ANGLES ± - | CUSTOMER DRAWING | | RESTRICTED TO | | - | |
| | SCALE | | NTS | SHEET | | 1 OF 4 |
| | | | | | REV | A |

REVISIONS

| P | LTR | DESCRIPTION | DATE | DWN | APVD |
|---|-----|-------------|------|-----|------|
| | | SEE SHEET 1 | | | |

Transistor Sockets

8058 & 8060 Series


PART NUMBER / STANDARD CONFIGURATIONS

| Part Number | Figure | No. of Contacts | Pin Circle | A | B | C | D | E* | F Max. | Terminal Style | Mounting Hole | Transistor Lead Length | Polarization Figure | | |
|-------------|--------|-----------------|------------|------|------|------|------|------|--------|-----------------|---------------|------------------------|---------------------|-----------|---|
| M8058-45G1 | 1 | 3 | .200 | .200 | .265 | .373 | .410 | .160 | .406 | Turret | B | .156/.218 | N | | |
| M8058-1G29 | 3 | 3 | .200 | .200 | .270 | .373 | .410 | .140 | .351 | Solder Pocket | | | | | |
| 8058-1G29 | 3 | 3 | .200 | .200 | .270 | .373 | .410 | .140 | .351 | Solder Pocket | | | | | |
| 8058-1G23 | 4 | 3 | .200 | .200 | .270 | .373 | .410 | .302 | .544 | Printed Circuit | | | | | |
| M8058-1G23 | 4 | 3 | .200 | .200 | .270 | .373 | .410 | .302 | N/A | Printed Circuit | — | .125/.155 | P | | |
| 8058-1G59 | 6 | 3 | .200 | .200 | .165 | N/A | .410 | .125 | N/A | Printed Circuit | | | | | |
| 8058-38G6 | 6 | 3 | .200 | .200 | .165 | N/A | .410 | .315 | N/A | Printed Circuit | B | .156/.218 | N | | |
| 8058-1G62 | 7 | 3 | .200 | .200 | .270 | .373 | .410 | .500 | .703 | Wirewrap | | | | | |
| M8058-45G2 | 1 | 4 | .200 | .200 | .265 | .373 | .410 | N/A | .406 | Turret | | | | | |
| M8058-1G30 | 3 | 4 | .200 | .200 | .265 | .373 | .410 | .140 | .377 | Solder Pocket | | | | | |
| 8058-1G30 | 3 | 4 | .200 | .200 | .270 | .373 | .410 | .140 | .347 | Solder Pocket | — | .125/.155 | N | | |
| M8058-1G24 | 4 | 4 | .200 | .200 | .270 | .373 | .410 | .347 | .550 | Printed Circuit | | | | | |
| 8058-1G24 | 4 | 4 | .200 | .200 | .270 | .373 | .410 | .317 | .550 | Printed Circuit | B | .156/.218 | N | | |
| 8058-1G63 | 7 | 4 | .200 | .200 | .270 | .373 | .410 | .500 | .703 | Wirewrap | | | | | |
| 8058-1G58 | 2 | 5 | .200 | .200 | .270 | .373 | .410 | .094 | .331 | Turret | | | | | |
| 8058-1G61 | 3 | 5 | .200 | .200 | .270 | .373 | .410 | .140 | .336 | Solder Pocket | | | | | |
| M8058-1G39 | 2 | 6 at 45° | .200 | .200 | .270 | .373 | .410 | .094 | .300 | Turret | B | .156/.218 | N | | |
| 8058-1G43 | 3 | 6 at 60° | .200 | .200 | .270 | .373 | .410 | .140 | .370 | Solder Pocket | | | | | |
| M8058-1G18 | 3 | 6 at 45° | .200 | .200 | .270 | .373 | .410 | .140 | .370 | Solder Pocket | — | | | .125/.155 | P |
| 8058-1G42 | 4 | 6 at 60° | .200 | .200 | .270 | .373 | .410 | .317 | .561 | Printed Circuit | | | | | |
| M8058-1G33 | 4 | 6 at 45° | .200 | .200 | .270 | .373 | .410 | .317 | .561 | Printed Circuit | B | .156/.218 | N | | |
| 8058-1G48 | 6 | 6 at 60° | .200 | .200 | .165 | N/A | .410 | .125 | N/A | Printed Circuit | | | | | |
| 8058-1G52 | 6 | 6 at 45° | .200 | .200 | .165 | N/A | .410 | .125 | N/A | Printed Circuit | — | | | .125/.155 | P |
| M8058-1G37 | 2 | 8 | .200 | .200 | .270 | .373 | .410 | .094 | .336 | Turret | | | | | |
| M8058-1G19 | 3 | 8 | .200 | .200 | .270 | .373 | .410 | .140 | .377 | Solder Pocket | B | .156/.218 | N | | |
| 8058-1G19 | 3 | 8 | .200 | .200 | .270 | .373 | .410 | .140 | .377 | Solder Pocket | | | | | |
| 8058-1G57 | 3 | 8 | .200 | .200 | .270 | .373 | .410 | .140 | .315 | Solder Pocket | — | | | .125/.155 | P |
| M8058-1G32 | 4 | 8 | .200 | .200 | .270 | .373 | .410 | .317 | .550 | Printed Circuit | | | | | |
| 8058-1G32 | 4 | 8 | .200 | .200 | .270 | .373 | .410 | .317 | .550 | Printed Circuit | B | .156/.218 | N | | |
| 8058-39G1 | 5 | 8 | .200 | .330 | .375 | .373 | .410 | .187 | .505 | Printed Circuit | | | | | |
| 8058-39G3 | 5 | 8 | .200 | .380 | .375 | .373 | .410 | .150 | .470 | Printed Circuit | — | | | .125/.155 | P |
| 8058-39G5 | 5 | 8 | .200 | .380 | .375 | .373 | .410 | .150 | .470 | Printed Circuit | | | | | |
| 8058-1G49 | 6 | 8 | .200 | .200 | .165 | N/A | .410 | .125 | N/A | Printed Circuit | B | .156/.218 | N | | |
| 8058-1G47 | 2 | 8 | .230 | .230 | .270 | .373 | .410 | .094 | .300 | Turret | | | | | |
| 8058-1G46 | 3 | 8 | .230 | .230 | .270 | .373 | .410 | .138 | .346 | Solder Pocket | — | | | .125/.165 | P |
| 8058-1G45 | 4 | 8 | .230 | .230 | .270 | .373 | .410 | .302 | .534 | Printed Circuit | | | | | |
| 8058-39G4 | 5 | 8 | .230 | .380 | .375 | .373 | .410 | .155 | .467 | Printed Circuit | B | .156/.218 | N | | |
| 8058-39G6 | 5 | 8 | .230 | .380 | .375 | .373 | .410 | .150 | .467 | Printed Circuit | | | | | |
| 8058-1G50 | 6 | 8 | .230 | .230 | .165 | N/A | .410 | .125 | N/A | Printed Circuit | — | | | .125/.155 | P |
| M8058-1G38 | 2 | 10 | .230 | .230 | .270 | .373 | .410 | .094 | .331 | Turret | | | | | |
| M8058-1G22 | 3 | 10 | .230 | .230 | .270 | .373 | .410 | .141 | .377 | Solder Pocket | B | .156/.218 | N | | |
| M8058-1G31 | 4 | 10 | .230 | .230 | .270 | .373 | .410 | .317 | .561 | Printed Circuit | | | | | |
| 8058-24G1 | 5 | 10 | .230 | .380 | .375 | .373 | .410 | .187 | .505 | Printed Circuit | — | | | .156/.218 | N |
| 8058-1G34 | 6 | 10 | .230 | .230 | .165 | N/A | .410 | .125 | N/A | Printed Circuit | | | | | |
| M8058-1G91 | 6 | 10 | .230 | .230 | .165 | N/A | .410 | .125 | N/A | Printed Circuit | — | .125/.155 | P | | |
| 8058-1G55 | 5 | 12 | .250 | .380 | .375 | .373 | .410 | .155 | .467 | Printed Circuit | | | | | |
| 8058-1G51 | 6 | 12 | .280 | .280 | .165 | N/A | .410 | .125 | N/A | Printed Circuit | — | .125/.155 | P | | |

* Dimension E ± .031 (0,79)

Note: Before ordering, see Cross Reference in Section 15 for equivalent Tyco Electronics Part Number.

THIS DRAWING IS UNPUBLISHED. ALL RIGHTS RESERVED. © COPYRIGHT - By -

| | | | | | | | | | |
|--|------------------|-------------|-----------|--|------------------|--|--------------|---|-----|
| DIMENSIONS: INCHES | DWN | RAMBO ZHANG | 08MAY2017 | MATERIAL | - | | FINISH | - | |
| | CHK | SIMON LI | 08MAY2017 |  TE Connectivity | | | | | |
| TOLERANCES UNLESS OTHERWISE SPECIFIED: | APVD | COREL WANG | 08MAY2017 | | | | | | |
| | PRODUCT SPEC | - | | SIZE A4 | | | | | |
| 0 PLC ± - | APPLICATION SPEC | | - | | | | | | |
| 1 PLC ± - | - | | - | | 00779 | | C= 1437504-4 | | |
| 2 PLC ± - | WEIGHT | | - | | SCALE | | SHEET | | REV |
| 3 PLC ± - | - | | - | | NTS | | 2 OF 4 | | |
| 4 PLC ± - | - | | - | | CUSTOMER DRAWING | | - | | A |
| ANGLES ± - | - | | - | | - | | - | | |

REVISIONS

| P | LTR | DESCRIPTION | DATE | DWN | APVD |
|---|-----|-------------|------|-----|------|
| | | SEE SHEET 1 | | | |

Transistor Sockets

8058 & 8060 Series

PART NUMBER / STANDARD CONFIGURATIONS


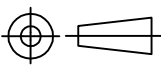
| Part Number | Figure | Number of Contacts | Pin Circle | A | B | C | D | E* | F Max. | Terminal Style | Mtg. Hole Figure | Transistor Lead Length | Polarization Figure |
|-------------|--------|--------------------|------------|------|------|------|------|------|--------|-----------------|------------------|------------------------|---------------------|
| 8060-1G5 | 3 | 3 | .100 | .100 | .268 | .227 | .255 | .146 | .350 | Solder Pocket | A | .156/.218 | N |
| 8060-1G17 | 3 | 3 | .100 | .100 | .320 | .227 | .255 | .084 | .427 | | | | |
| 8060-1G9 | 2 | 3 | .100 | .100 | .268 | .227 | .255 | .094 | .372 | Turret | | | |
| 8060-1G11 | 4 | 3 | .100 | .100 | .330 | .227 | .255 | .240 | .580 | Printed Circuit | - | .125/.155 | P |
| 8060-1G7 | 5 | 3 | .100 | .200 | .410 | .227 | .255 | .170 | .616 | | | | |
| 8060-1G3 | 6 | 3 | .100 | .150 | .195 | N/A | .255 | .103 | N/A | | | | |
| 8060-1G13 | 6 | 3 | .100 | .100 | .195 | N/A | .255 | .103 | N/A | Solder Pocket | A | .156/.218 | N |
| 8060-1G6 | 3 | 4 | .100 | .100 | .265 | .227 | .255 | .146 | .350 | | | | |
| 8060-1G10 | 2 | 4 | .100 | .100 | .265 | .227 | .255 | .094 | .310 | Turret | | | |
| 8060-1G12 | 4 | 4 | .100 | .100 | .330 | .227 | .255 | .240 | .533 | Printed Circuit | - | .125/.155 | P |
| 8060-1G8 | 5 | 4 | .100 | .200 | .390 | .227 | .255 | .187 | .530 | | | | |
| 8060-1G4 | 6 | 4 | .100 | .150 | .195 | N/A | .255 | .103 | N/A | | | | |
| 8060-1G22 | 6 | 4 | .100 | .100 | .195 | N/A | .255 | .295 | N/A | | | | |

* Dimension E ± .031 (0,79)

All part number prefixed with (M) meet MIL-83502/1 or MIL-83502/6.

Note: Before ordering, see Cross Reference in Section 15 for equivalent Tyco Electronics Part Number.

THIS DRAWING IS UNPUBLISHED. ALL RIGHTS RESERVED. © COPYRIGHT - By -

| | | | | | | |
|---|--------------------|-----------|--|-----------|--------------|--------------------|
| DIMENSIONS: INCHES | DWN RAMBO ZHANG | 08MAY2017 | MATERIAL | - | FINISH | - |
| | CHK SIMON LI | 08MAY2017 |  TE Connectivity | | | |
| TOLERANCES UNLESS OTHERWISE SPECIFIED: | APVD COREL WANG | 08MAY2017 | | | | |
| 0 PLC ± - | PRODUCT SPEC | - | NAME | | | 8058&8060 SERIES |
| 1 PLC ± - | - | - | 8058&8060 SERIES | | | TRANSISTOR SOCKETS |
| 2 PLC ± - | APPLICATION SPEC | - | SIZE | CAGE CODE | DRAWING NO | RESTRICTED TO |
| 3 PLC ± - | - | - | A4 | 00779 | Ⓒ= 1437504-4 | - |
| 4 PLC ± - | WEIGHT | - | CUSTOMER DRAWING | | | SCALE |
| ANGLES ± - | - | - | NTS | | | SHEET |
|  | CUSTOMER DRAWING | | | 3 OF 4 | | REV |
| | | | | A | | |

REVISIONS

| P | LTR | DESCRIPTION | DATE | DWN | APVD |
|---|-----|-------------|------|-----|------|
| | | SEE SHEET 1 | | | |

Transistor Sockets

8058 & 8060 Series

Figure A
Recommended Chassis Cutout
for all 8060 Series panel
mount applications

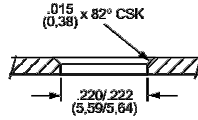


Figure B
Recommended Chassis Cutout
for all 8058 Series panel
mount applications

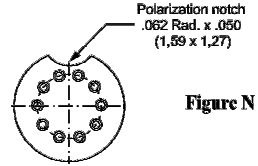
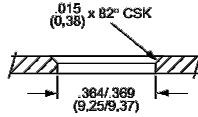


Figure N

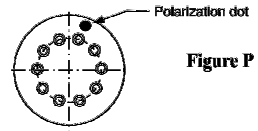


Figure P

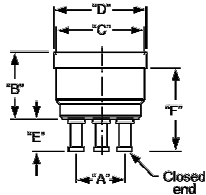


Figure 1

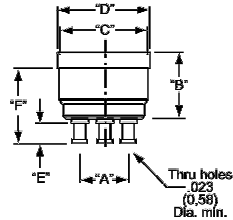


Figure 2

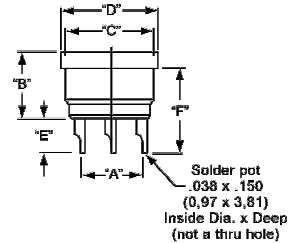


Figure 3

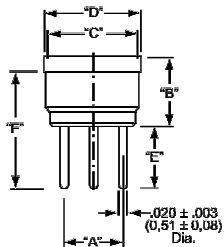


Figure 4

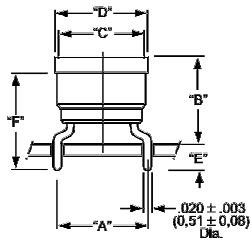


Figure 5

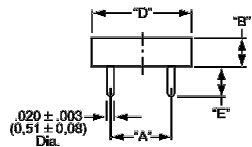


Figure 6

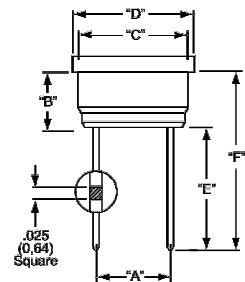


Figure 7

Note: Before ordering, see Cross Reference in Section 15 for equivalent Tyco Electronics Part Number.

THIS DRAWING IS UNPUBLISHED. ALL RIGHTS RESERVED. © COPYRIGHT - By -

| | | | | | | | |
|--|--------------------|-----------|--|--------------|-----------|---------------|-----|
| DIMENSIONS: INCHES | DWN RAMBO ZHANG | 08MAY2017 | MATERIAL | - | FINISH | - | |
| | CHK SIMON LI | 08MAY2017 | TE TE Connectivity | | | | |
| TOLERANCES UNLESS OTHERWISE SPECIFIED: | APVD COREL WANG | 08MAY2017 | | | | | |
| 0 PLC ± - | PRODUCT SPEC | - | NAME 8058&8060 SERIES TRANSISTOR SOCKETS | | | | |
| 1 PLC ± - | APPLICATION SPEC | - | | | | | |
| 2 PLC ± - | WEIGHT | - | SIZE | A4 | CAGE CODE | 00779 | |
| 3 PLC ± - | CUSTOMER DRAWING | - | DRAWING NO | C= 1437504-4 | | RESTRICTED TO | - |
| 4 PLC ± - | | | SCALE | NTS | SHEET | 4 OF 4 | REV |
| ANGLES ± - | | | | | | | |

