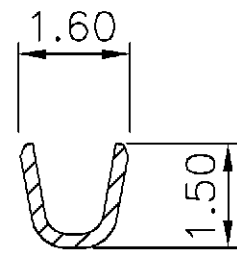
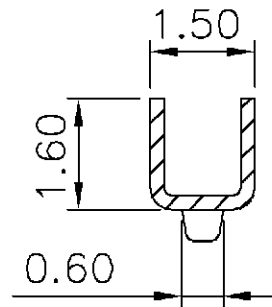


SEC: A-A



SEC: B-B



SEC: C-C

NOTE:

- MATERIAL :  
TERMINAL : PHOSPHOR BRONZE, T=0.20mm.
- FINISH:  
TERMINAL : 60u" MIN TIN PLATED ON CONTACT AREA.  
20u" MIN. NICKEL UNDERPLATED OVER ALL.
- QUALIFICATION TEST REPORT: 501-57218.

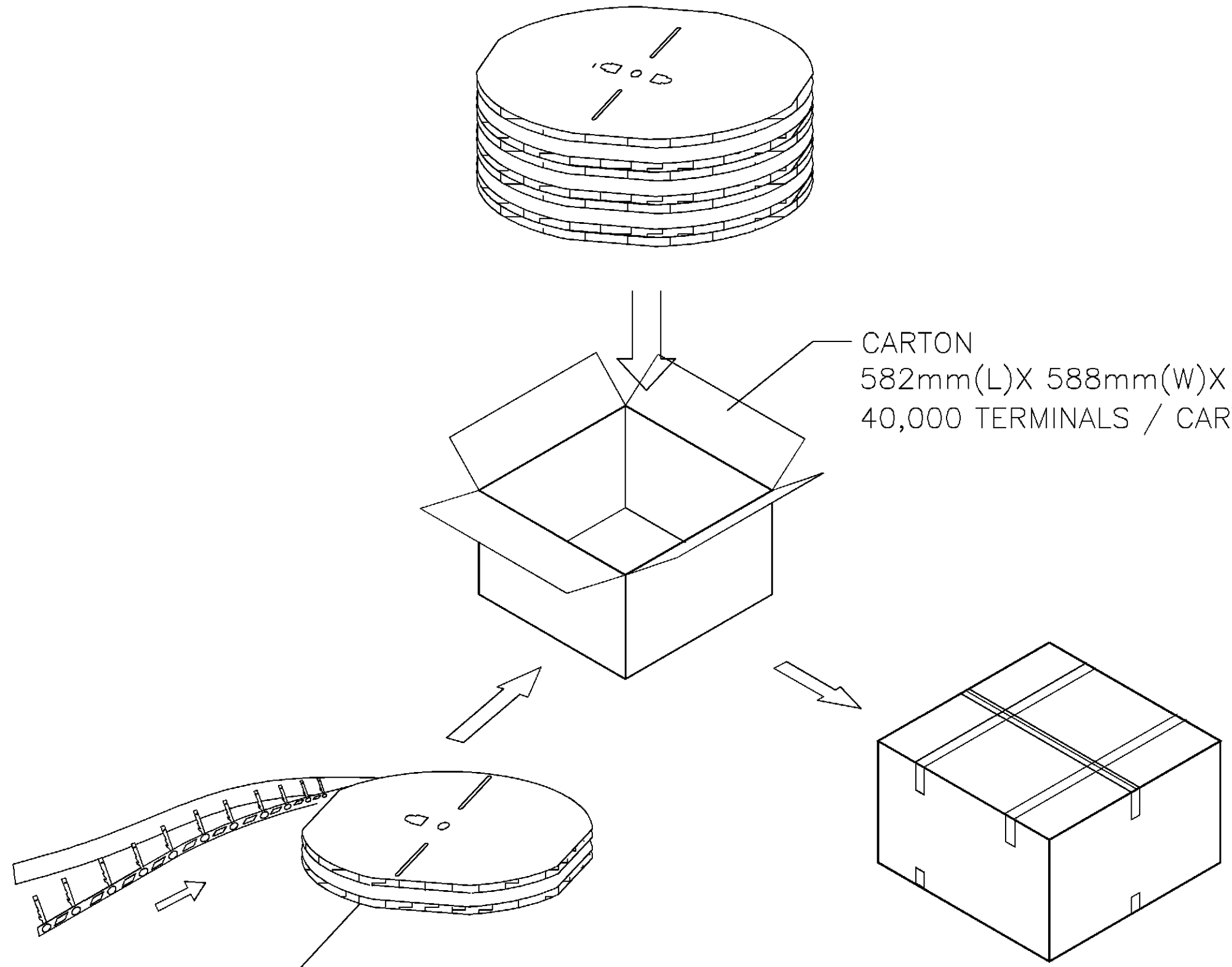
1470106-1  
PART NUMBER

PRINT DIST	DATE	DESCRIPTION	BY	CHK	DATE
A	18AUG 2003	REVISED	OH	AW	
O	06MAR 2002	FIRST RELEASED	OH	JC	
LTR		REVISION RECORD	DWN	CHK	

DIMENSION : 0 PLC ± 1 PLC ±0.30 2 PLC ±0.20 3 PLC ±0.10 ANGLES ±	DWN O. HU 12-AUG-2003	 TYCO HOLDINGS (BERMUDA) VII LTD. TAIWAN BRANCH
MATERIAL  SEE NOTE	CHK A. WU 12-AUG-2003	
FINISH  SEE NOTE	APVD J. CHENG 12-AUG-2003	NAME  2.0 MM PITCH CRIMP CONTACT
	PRODUCT SPEC 108-57217	LOC DW SCALE --
	APPLICATION SPEC 114-57D13	SIZE A <sub>3</sub> DRAWING NO C-1470106 SHEET 1 OF 2
	WEIGHT	REV A

THIS INFORMATION IS CONFIDENTIAL AND IS DISCLOSED TO YOU ON CONDITION THAT NO FURTHER DISCLOSURE IS MADE BY YOU TO OTHER THAN AMP PERSONNEL WITHOUT WRITTEN AUTHORIZATION FROM AMP (TAIWAN) LTD. DIMENSIONS IN MILLIMETERS. DO NOT SCALE PRINT.

PRINT DIST  
 DW



CARTON  
 582mm(L)X 588mm(W)X 112mm(H)  
 40,000 TERMINALS / CARTON

REEL  
 DIAMETER:  $\phi 580$ mm.  
 10,000 TERMINALS / REEL

	SEE SHEET 1.			
LTR	REVISION RECORD	ECN	DWN	CHK
				DATE

DIMENSION : 0 PLC $\pm$ 1 PLC $\pm$ 2 PLC $\pm$ 3 PLC $\pm$ ANGLES $\pm$	DWN	O. HU	TYCO HOLDINGS (BERMUDA) VII LTD. TAIWAN BRANCH			
	CHK	A. WU				
MATERIAL  SEE NOTE	APVD	J. CHENG	NAME 2.0 MM PITCH CRIMP CONTACT			
	PRODUCT SPEC	12-AUG-2003				
FINISH  SEE NOTE	APPLICATION SPEC		LOC	SIZE	DRAWING NO	REV
	WEIGHT		DW	A <sub>3</sub>	C-1470106	A
			SCALE	SHEET		
			---		2 OF 2	