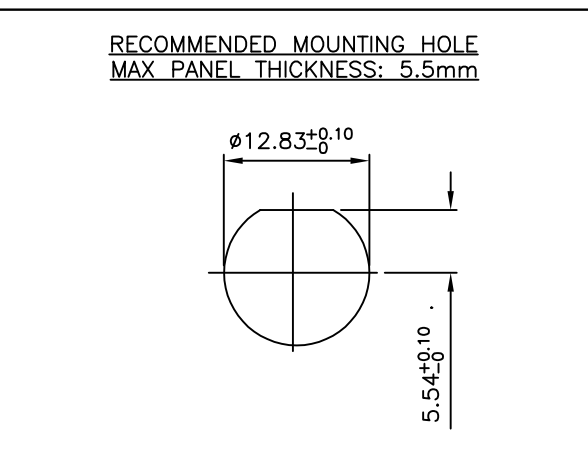
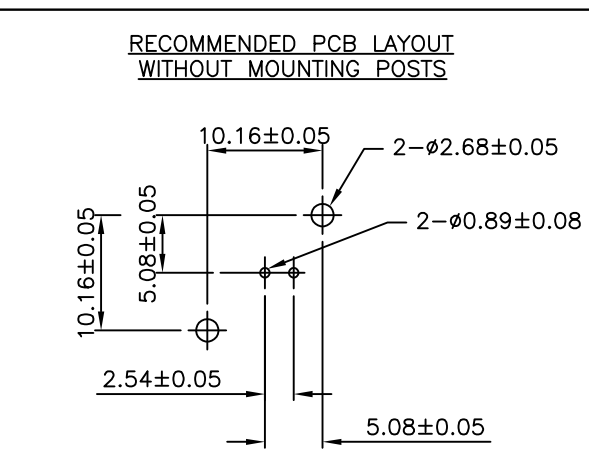
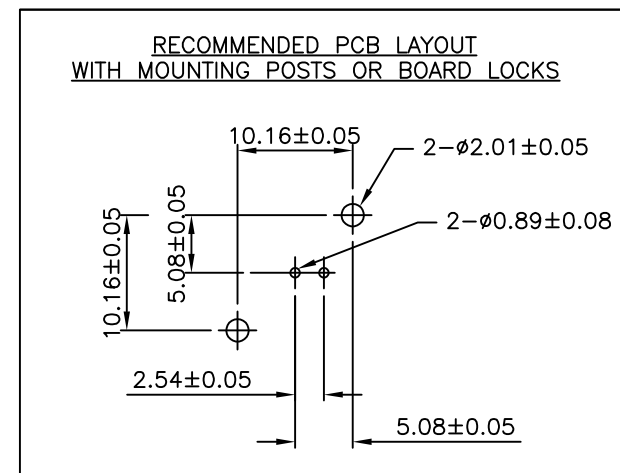
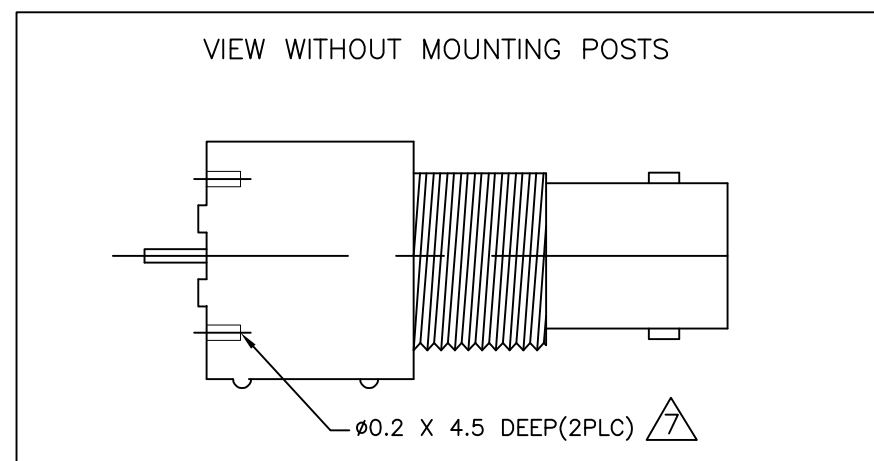
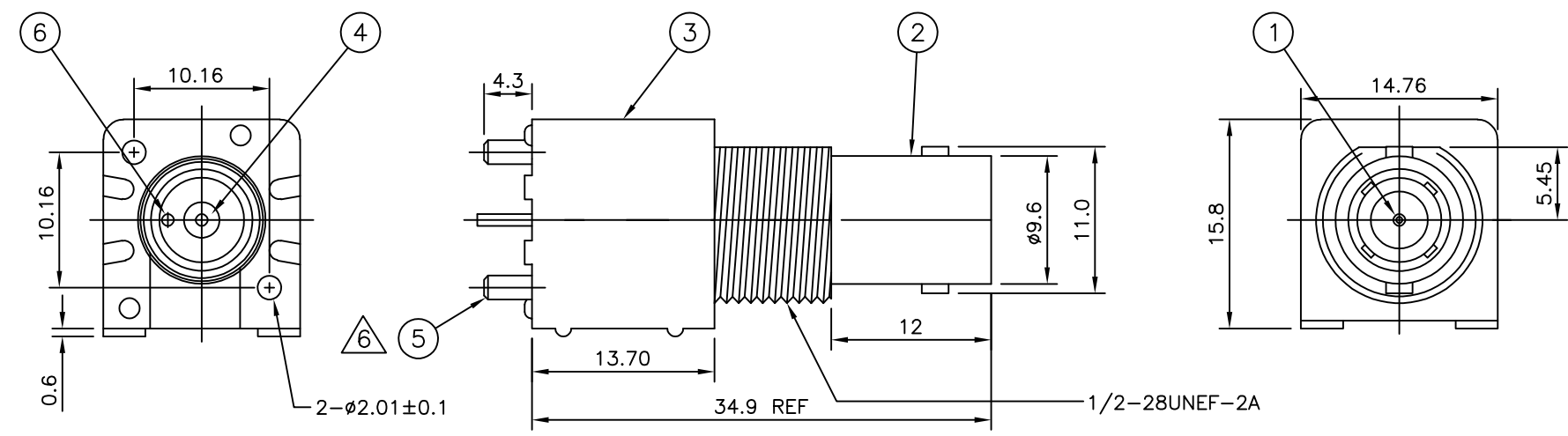


LOC	DIST	REVISIONS					
E	B	P	LTR	DESCRIPTION	DATE	DWN	APVD
		D1		REVISED PER ECR-17-004176	23MAR2017	BW	RS

- NOTES:**
- 1. SINGLE PACK IN ACCORDANCE WITH AMP SPEC 107-3275
  - 2. 50 TRAY PACK IN ACCORDANCE WITH AMP SPEC 107-3275
  - 3. Au PLATING OVER Ni PLATING OVER Cu PLATING
  - 4. Ni PLATING OVER Cu PLATING
  - 5. TIN PLATING
  - 6. MOUNTING POSTS ARE OPTIONAL SEE TABLE FOR PART NUMBERS
  - 7. RECOMMENDED SELF-TAPPING SCREW 221108-4
  - 8. RECOMMENDED MOUNT NUT 1-1634816-0
  - 9. RECOMMENDED LOCKWASHER 1-1634817-0
  - 10. FOR TECHNICAL DATA REFER TO YOUR LOCAL TE CONNECTIVITY SALES OFFICE
  - 11. ALL DIMENSIONS ARE NOMINAL FOR REFERENCE ONLY UNLESS OTHERWISE STATED



QUANTITY PER ASSY				PARTS LIST			
	1	1	1	1	BRASS	SOLDER TAIL	6
	-	-	2	2	BRASS	MOUNTING POST	5
	1	1	1	1	PE-606	INSULATOR	4
	1	1	1	1	PBT WHITE	HOUSING	3
	1	1	1	1	ZINC ALLOY	BODY	2
	1	1	1	1	BRASS	CONTACT	1
	6--1	1--1	6--0	1--0	MATERIAL	DESCRIPTION	ITEM
	2	1	2	1			

THIS DRAWING IS A CONTROLLED DOCUMENT.

DWN	RITA ZUO	06 Mar 09	TE Connectivity <b>BNC STRAIGHT INSULATED PCB SOCKET</b> 75 OHM WHITE
CHK	ANSON MA	06 Mar 09	
APVD	BOB ZHAO	06 Mar 09	
PRODUCT SPEC	108-112000		
APPLICATION SPEC			RESTRICTED TO
MATERIAL	SEE TABLE	FINISH	SEE TABLE
WEIGHT	0		
CUSTOMER DRAWING			SCALE NTS SHEET 1 OF 1 REV D1