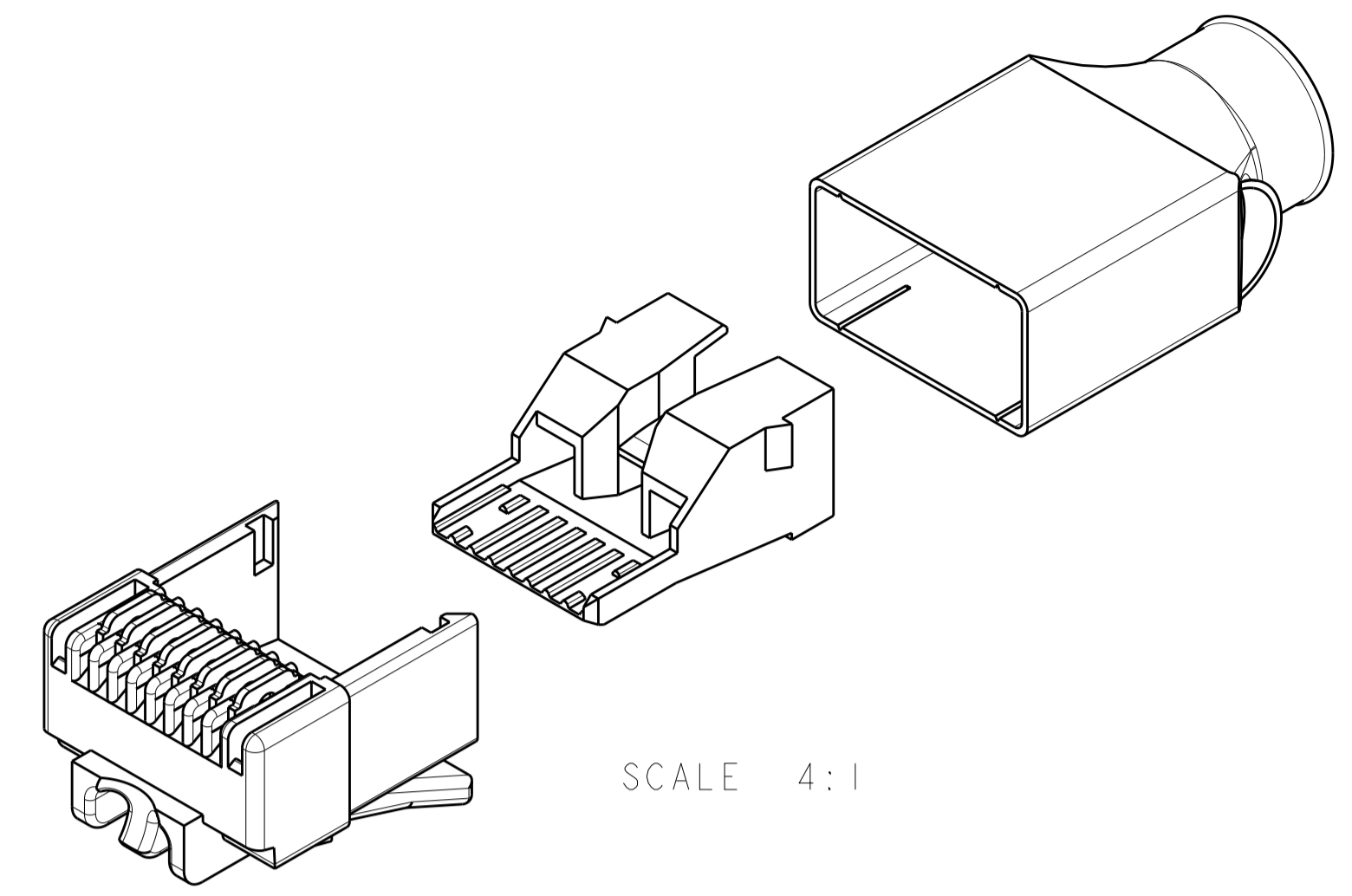
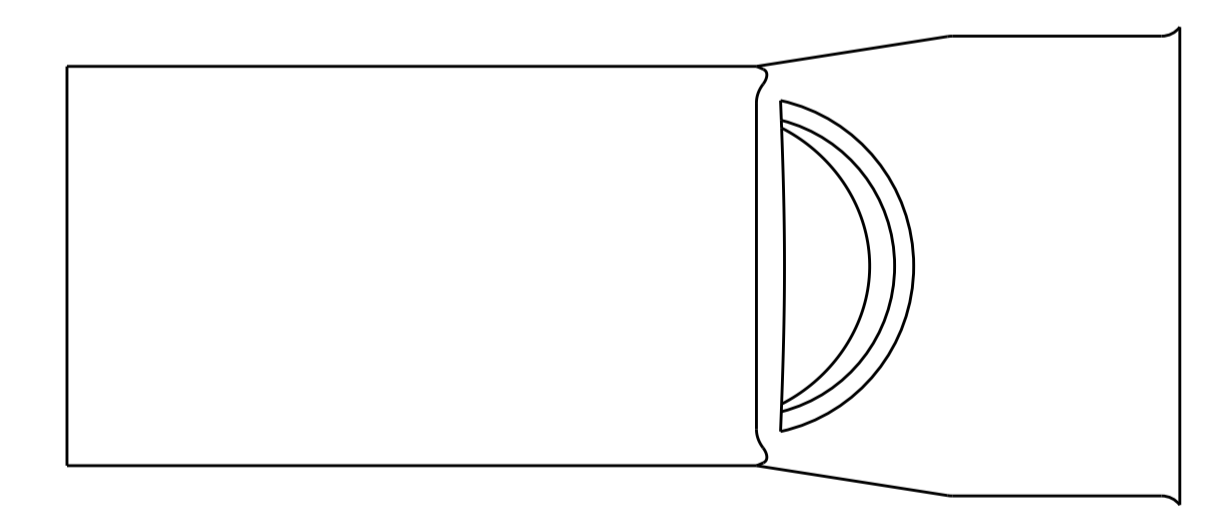
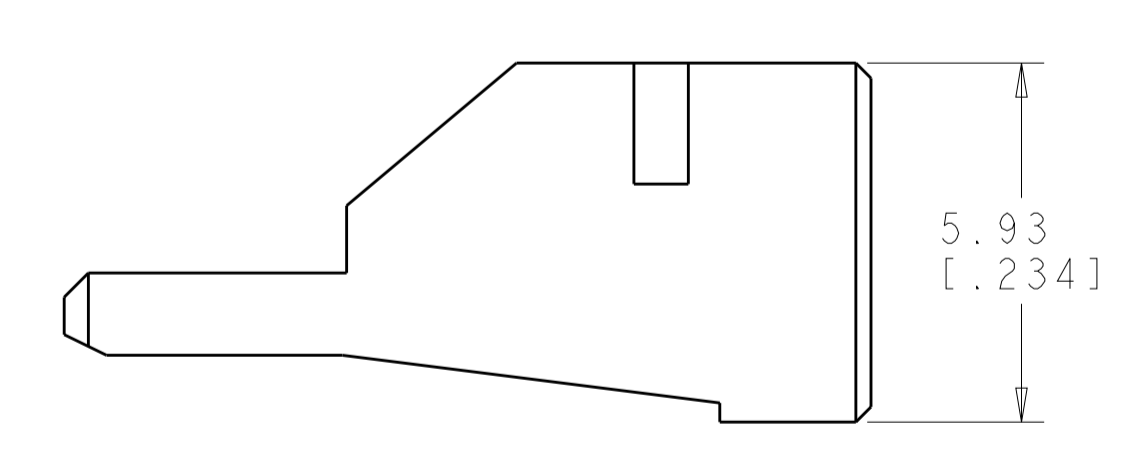
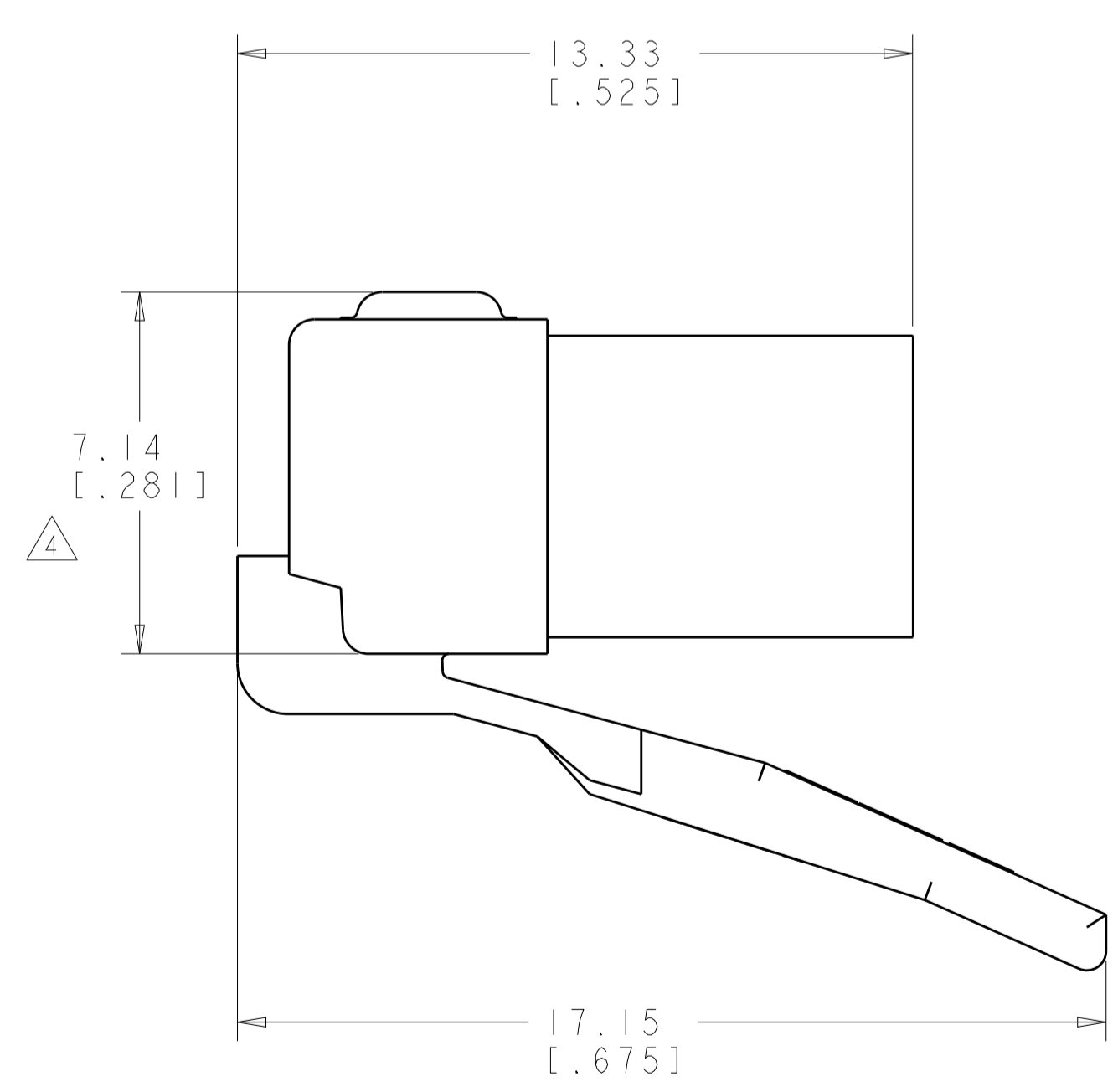
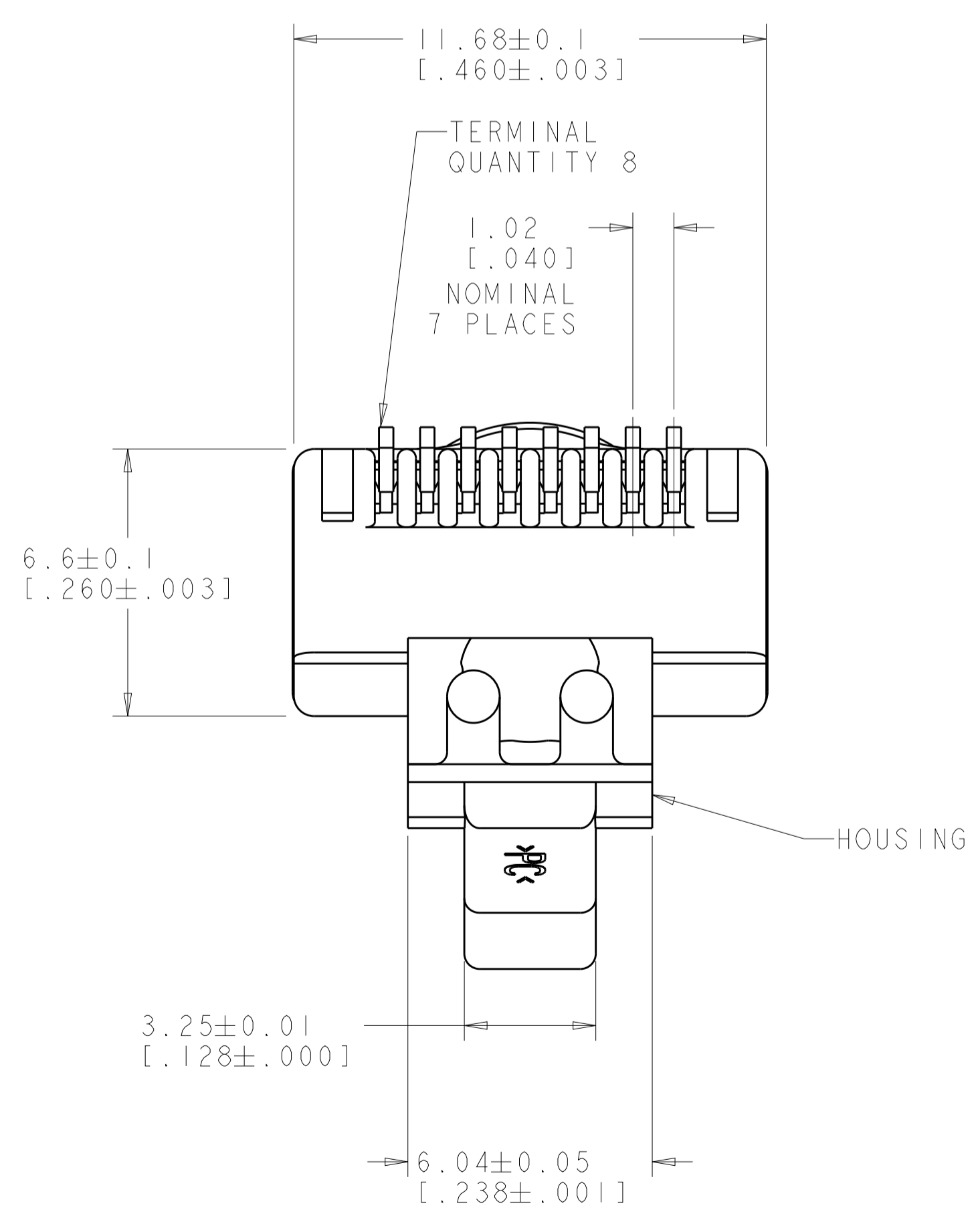
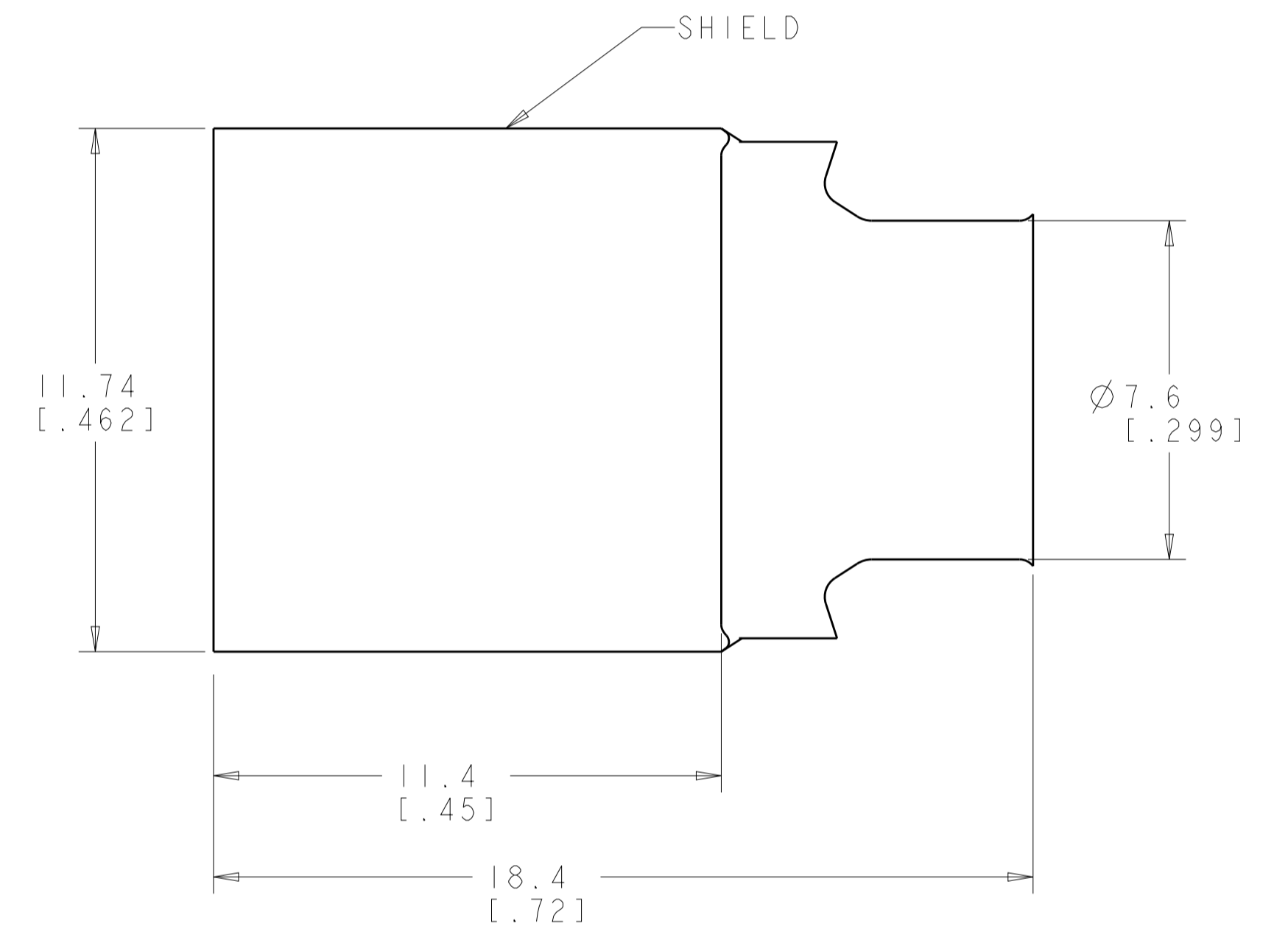
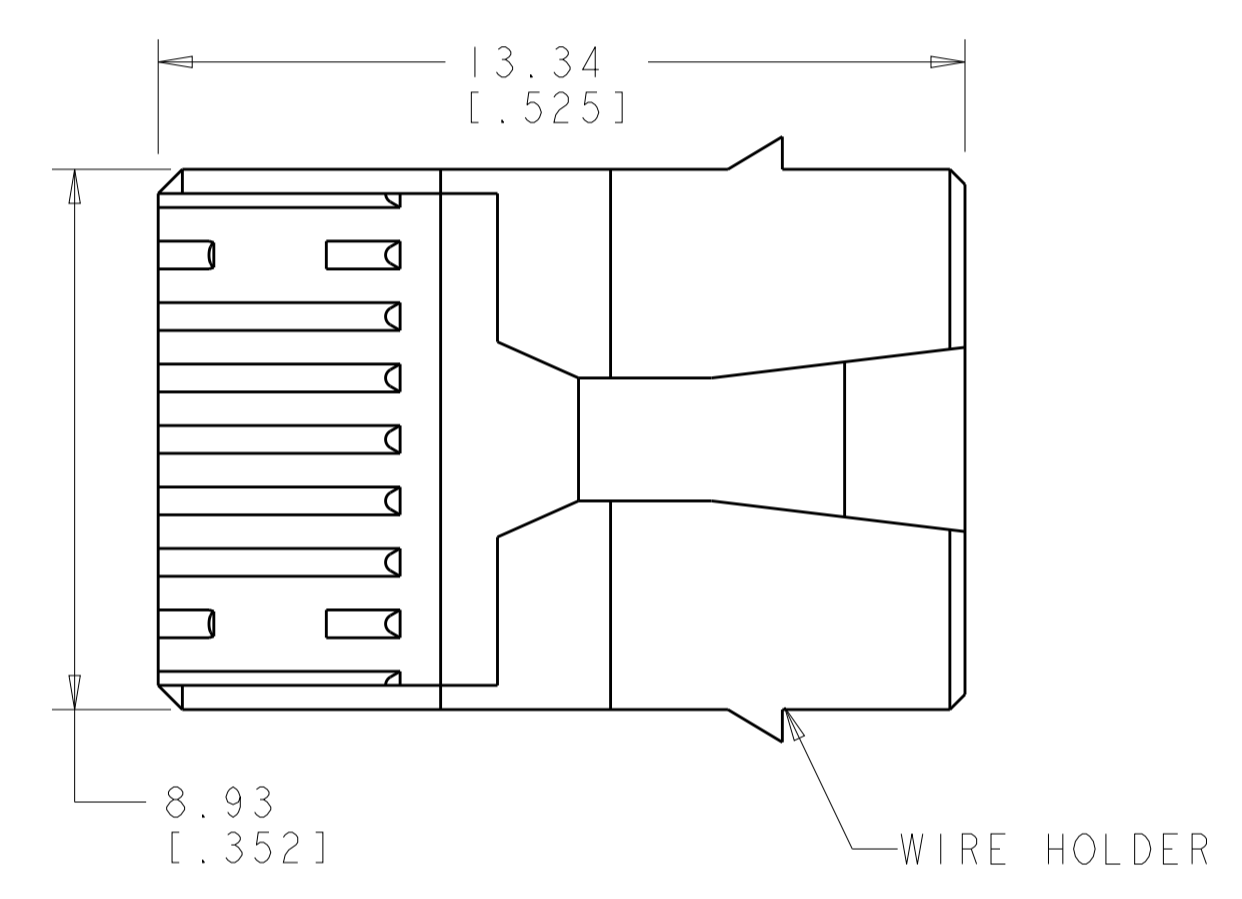
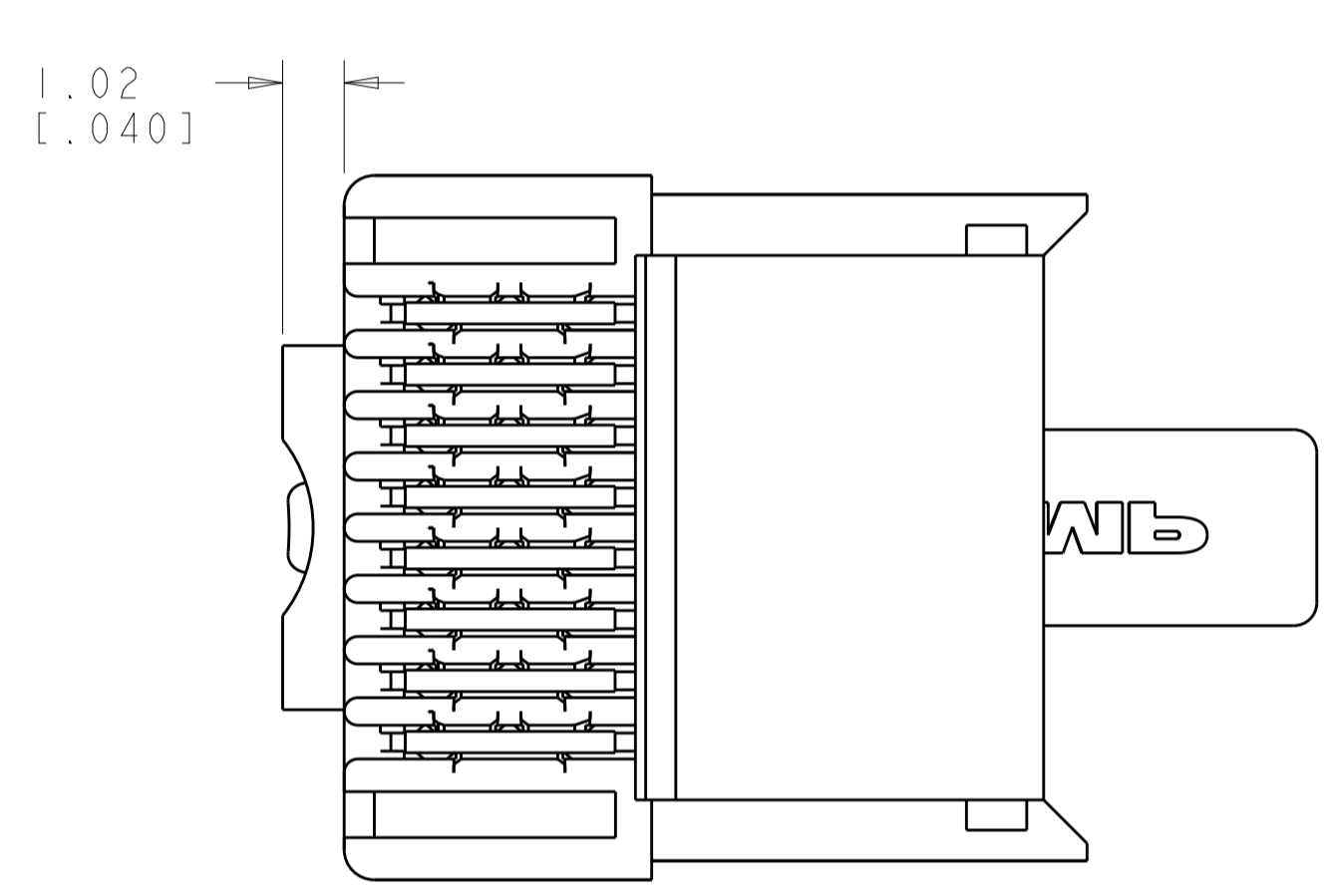


| LOC |     | DIST                      |            | REVISIONS |      |  |  |
|-----|-----|---------------------------|------------|-----------|------|--|--|
| P   | LTN | DESCRIPTION               | DATE       | DMN       | APVD |  |  |
| D   |     | REVISED PER ECO-11-005027 | 14MAR2011  | RK        | HMR  |  |  |
| E   |     | REV: ECO-12-010973        | 14JUN2012  | GG        | JG   |  |  |
| F   |     | REVISED PER ECO-12-012703 | 03JULY2012 | JB        | JG   |  |  |
| G   |     | REVISED PER ECO-13-015339 | 04OCT2013  | JB        | JG   |  |  |



SCALE 4:1

- 1. MATERIAL: HOUSING - 94V-0 RATED POLYCARBONATE CLEAR TERMINAL - 0.36 [0.014] THICK PHOSPHOR BRONZE PLATED WITH 1.27 μm [0.00050] MINIMUM THICK GOLD IN LOCALIZED AREA OVER 2.54 μm [0.00100] MINIMUM THICK NICKEL UNDERPLATE. WIRE HOLDER - POLYCARBONATE MAKROLON CLEAR. SHIELD - BRASS DIN 17660 - CuZn33
- 2. DIMENSIONS ARE NOMINAL UNLESS OTHERWISE SPECIFIED.
- 3. PLUG WILL ACCEPT A 23-24 AWG SOLID CONDUCTOR, PROVIDED THE INSULATION CONDUCTOR DIAMETER IS WITHIN .89 - 1.09 [.035 - .043]; WITH THE SUM OF DIAMETERS FOR ALL EIGHT CONDUCTORS WITHIN THE CABLE MUST NOT EXCEED 7.8MM [.31 IN]. CABLE JACKET DIAMETER OF 6.0 - 7.0 MM [.24 - .28 IN].
- 4. TERMINATED DIMENSION 6.15 [.242] MAXIMUM.
- 5. PACKAGE 1,000 ASSEMBLIES, 1,000 WIRE HOLDERS, AND 1,000 SHIELDS.
- 6. PACKAGE 100 ASSEMBLIES, 100 WIRE HOLDERS, AND 100 SHIELDS.
- 8. PACKAGE 500 ASSEMBLIES, 500 WIRE HOLDERS, AND 500 SHIELDS.
- 9. MODULAR PLUG BOOT PART NUMBER 1711510-X (X-DENOTES VARIOUS COLORS) MAY BE USED WITH KIT ASSEMBLY SHOWN.
- 10. UL RECOGNIZED: FILE NUMBER E81956.



|         |             |
|---------|-------------|
| 6       | 5-1479185-3 |
| 8       | 5-1479185-2 |
| 5       | 5-1479185-1 |
| PACKAGE | PART NO.    |

THIS DRAWING IS A CONTROLLED DOCUMENT.

|                         |  |                         |                          |                           |   |
|-------------------------|--|-------------------------|--------------------------|---------------------------|---|
| DIMENSIONS: MM [INCHES] | TOLERANCES UNLESS OTHERWISE SPECIFIED: | DMN: G. GARRETT 24JAN02 | CHK: M. DELPHIAS 24JAN02 | APVD: M. DELPHIAS 24JAN02 | NAME: KIT, 8 POSITION, MODULAR PLUG, SOLID WIRE, CATEGORY 6 |
| 0 PLC ±                 | 1 PLC ±                                | 2 PLC ±                 | 3 PLC ±                  | 4 PLC ±                   | APPLIC. SPEC: 114-13035                                     |
| ANGLES ±                | FINISH ±                               | WEIGHT                  | SIZE: A1                 | CAGE CODE: 00779          | DRAWING NO: C=1479185                                       |
| MATERIAL: △             | FINISH: △                              | CUSTOMER DRAWING        | SCALE: 8:1               | SHEET: 1 OF 1             | REV: G  |

TE Connectivity