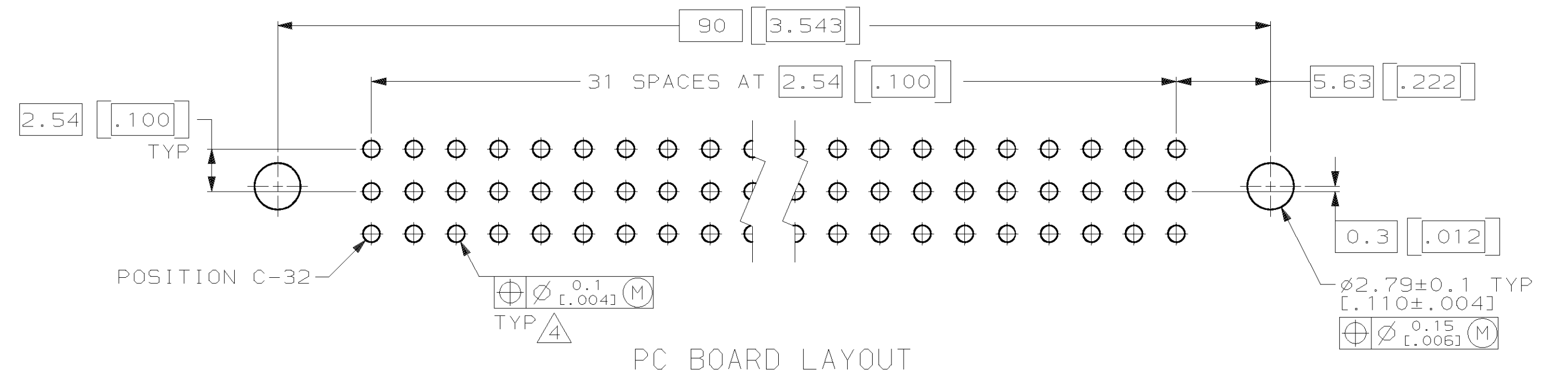
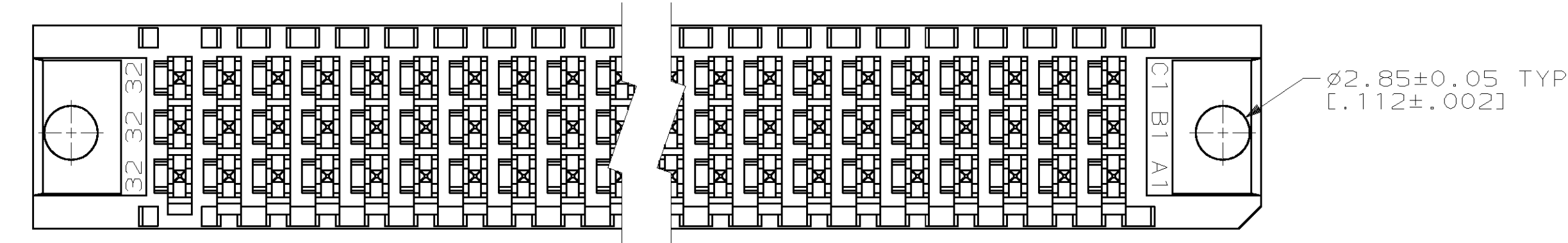
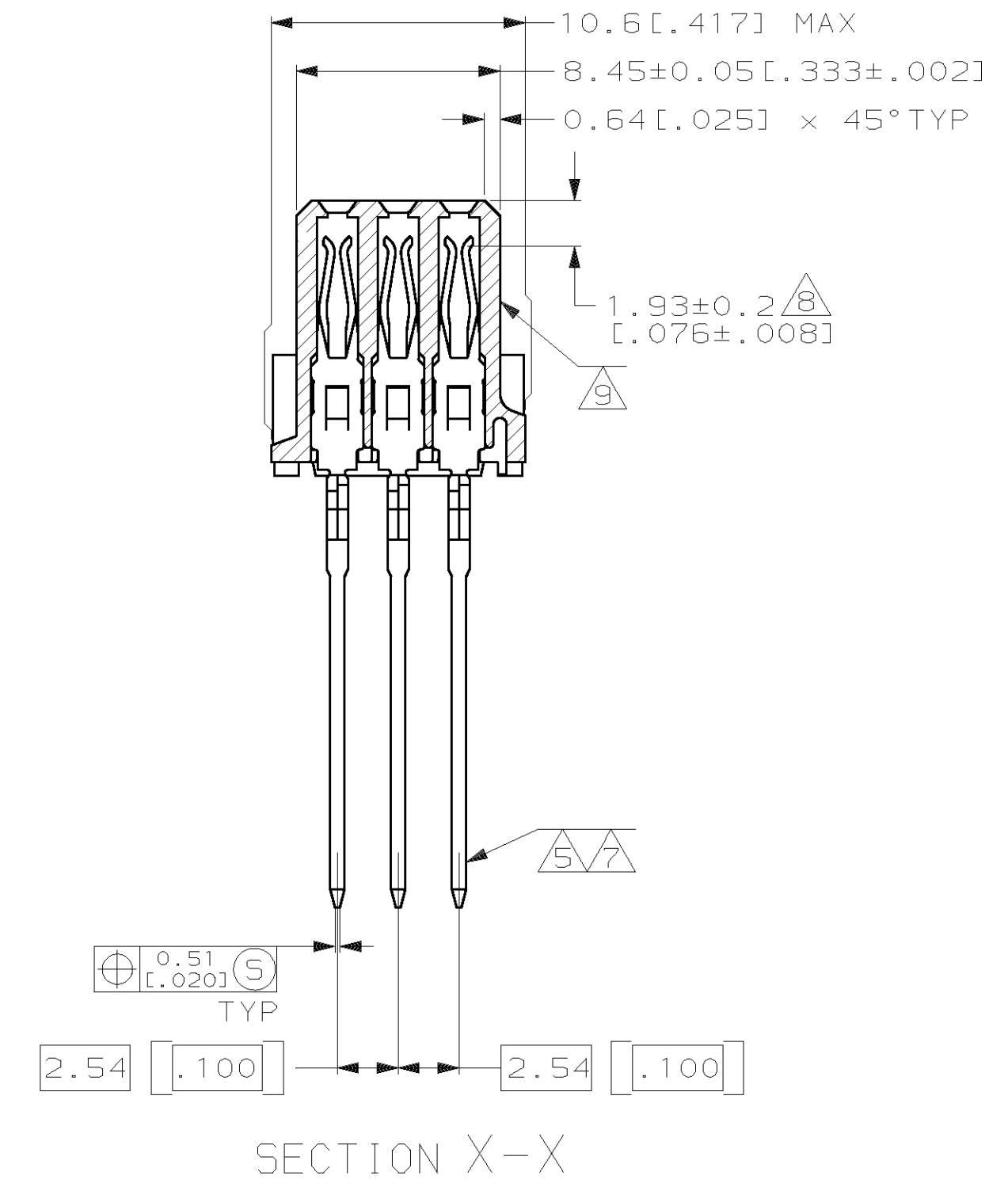
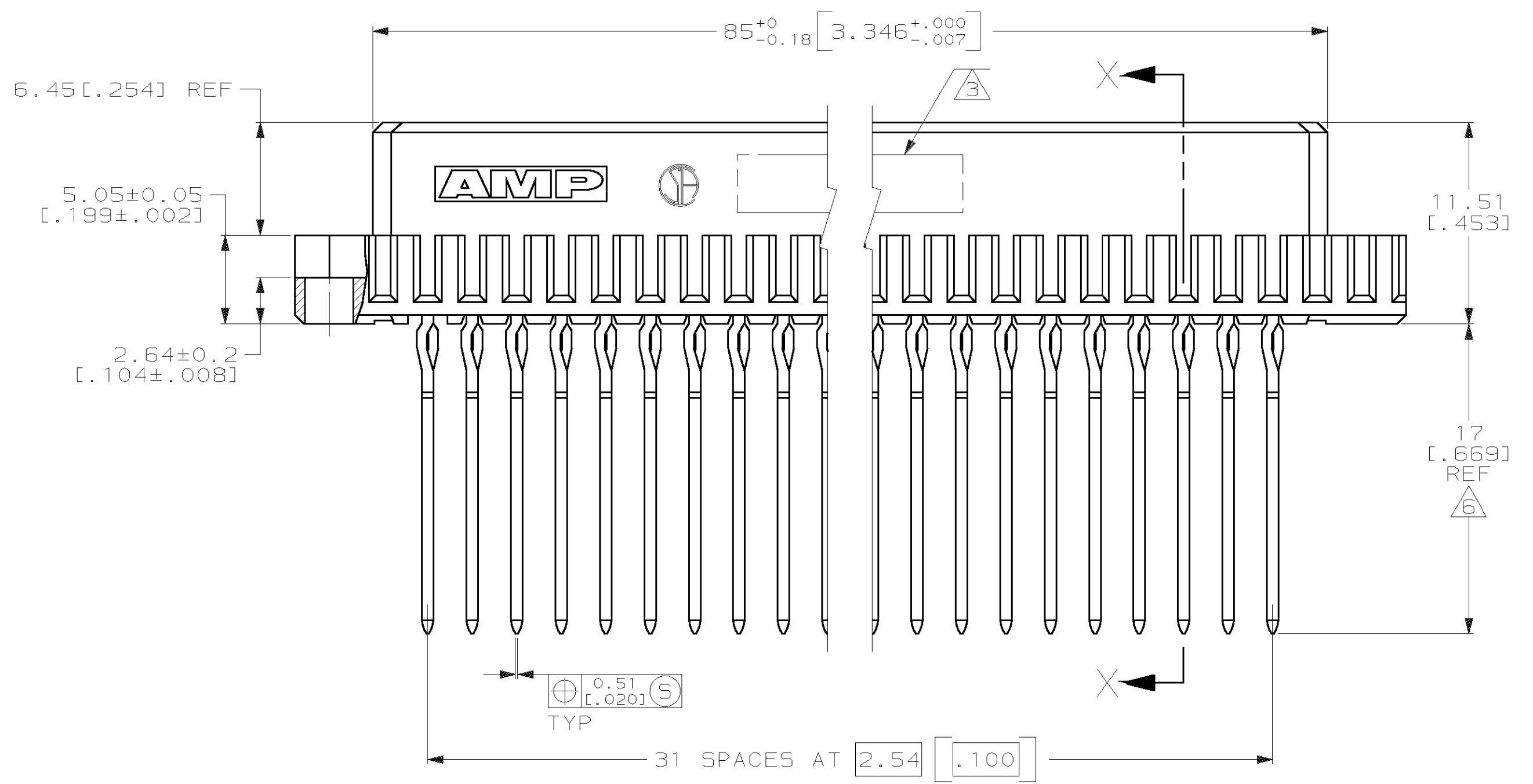
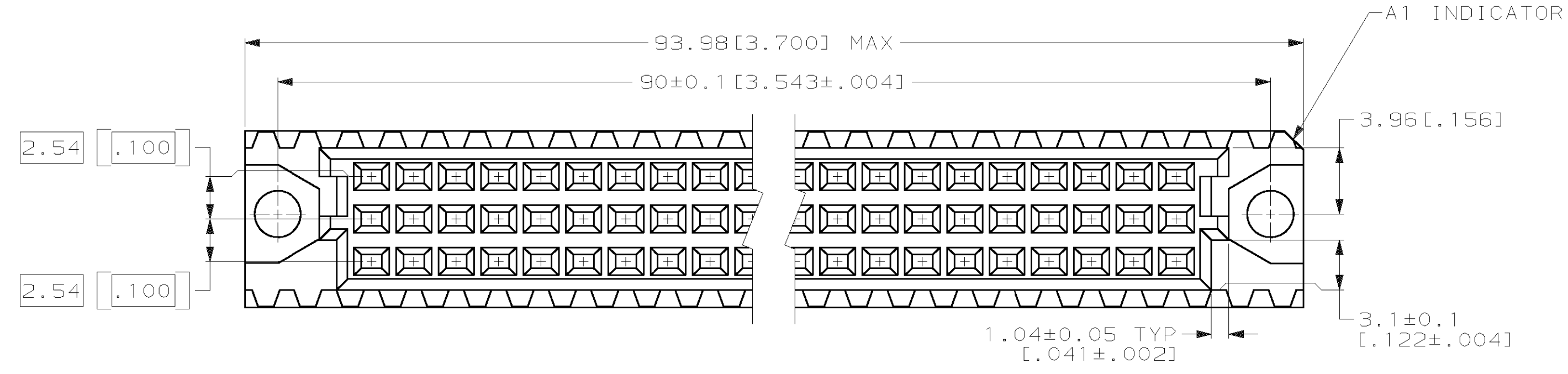


LOC	DIST	P	F	ZONE	LTR	DESCRIPTION	DATE	APPD
AD	25					O DRAWN	-	-
						A EC 0010-1152-95	10/10/95	LSB
						B REVISED PER 0503-0580-97	9-30-97	JG
						C PER EC 0620-0147-98	T.S.	6-4-98
						D REV PER EC 0U1B-0136-99	06 OCT 99	CR



- △ HOUSING MATERIAL: GLASS-FILLED POLYESTER. COLOR: GRAY.
- △ CONTACT MATERIAL: PHOSPHOR BRONZE.
- △ PART NUMBER AND DATE CODE HOT STAMPED IN THIS APPROXIMATE AREA.
- △ ACTION PIN POSTS REQUIRE 1.57[.062] MINIMUM THICK PC BOARD. RECOMMENDED PC BOARD DRILLED HOLES ARE 1.15±0.025[.0453±.0010] DIAMETER WITH 0.02-0.08[.001-.003] COPPER AND 0.008[.0003] MINIMUM TIN-LEAD PLATING. FINISHED HOLE AFTER PLATING IS 1.02±0.08[.040±.002] DIAMETER.
- △ CONTACT FINISH: DIN 41612 CLASS 2 IN CONTACT AREA. TIN-LEAD PLATE ON POSTS.
- △ TAIL LENGTH AFTER SEATING IN PC BOARD.
- △ CONTACT FINISH: DIN 41612 CLASS 2 IN CONTACT AREA AND LAST 5.08[.200] OF POST.
- △ CONTACT POINT AFTER SEATED IN PC BOARD.
- △ HOT STAMPING ON THIS SIDE.

△	1-148059-5
△	148059-5
FINISH	PART NO

DO NOT SCALE PRINT. UNLESS SPECIFIED DIMENSIONS IN mm [INCHES]		DR L. BRINER 7/26/94		AMP AMP Incorporated Harrisburg, PA 17105-3508	
TOLERANCES ON:		CHK R. PATTERSON 8/9/94			
2 PLC DEC ±0.13[.005]		APPD R. PATTERSON 8/9/94			
3 PLC DEC ±- ANGLES ±-		APPD R. PATTERSON 8/9/94			
MATERIAL		PRODUCT SPEC		NAME	
HOUSING: △		-		RECEPTACLE ASSEMBLY, EUROCARD, TYPE "C"	
CONTACTS: △		-			
FINISH		APPLICATION SPEC		SIZE	
CONTACTS: △		-		D 00779	
				CAGE CODE	
				00779	
				DRAWING NO	
				G-148059	
				SCALE	
				4:1	
				SHEET	
				1 OF 1	

THIS DRAWING IS A CONTROLLED DOCUMENT FOR AMP INCORPORATED. IT IS SUBJECT TO CHANGE AND THE CONTROLLING ENGINEERING ORGANIZATION SHOULD BE CONTACTED FOR THE LATEST REVISION.