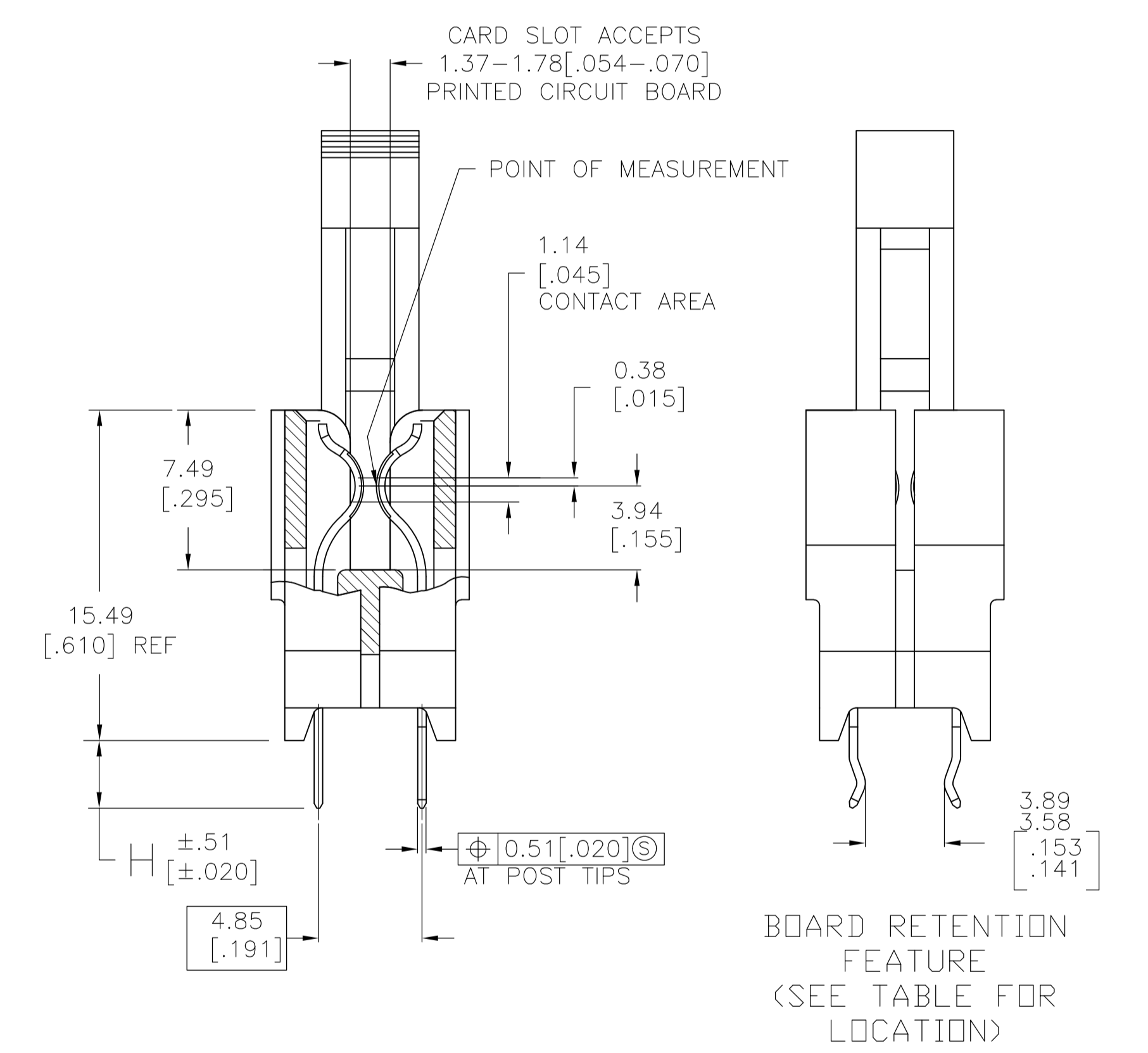


- MATERIAL:
HOUSING: GLASS FILLED POLYESTER; COLOR: BLACK.
CONTACT: HIGH CONDUCTIVITY COPPER ALLOY
LATCH: GLASS FILLED POLYESTER, COLOR: (SEE TABLE)
- FINISH:
0.00038[.000015] GOLD PLATE IN CONTACT AREA,
0.00254[.000100] MIN TIN-LEAD ON SOLDER POSTS, ALL
OVER 0.00127[.000050] MIN NICKEL
- AMP LOGO, TE PART NUMBER, DATE CODE AND CSA LOGO INK STAMPED WHITE (HOT STAMPED OR LAZER PRINTED) IN THE APPROXIMATE AREA SHOWN, EITHER SIDE PERMISSABLE, WHEN HOUSING SIZE PERMITS
- DATUMS AND BASIC DIMENSIONS ESTABLISHED BY CUSTOMER
- CONNECTORS SHOWN ARE USED IN APPLICATIONS WITH VRM MODULES WEIGHING 3 OUNCES OR LESS. ALTERNATE CONNECTOR AND LATCH METHOD IS AVAILABLE FOR VRM MODULES WEIGHING UP TO 6 OUNCES.
- CAUTION:** LATCHES ARE INTENDED FOR RETENTION OF PC BOARD TO CONNECTOR. DO NOT ATTEMPT TO FULLY EJECT PC BOARD FROM CONNECTOR WHILE DISENGAGING LATCHES. DAMAGE TO LATCHES AND OR CONNECTOR MAY OCCUR
- OBsolete PARTS: OBSOLETE CIS STREAMLINING PER D.RENAUD/D.SINISI



(N2) PART IN SHEET 2

(OBSOLETE)

| | | | | | | | | | | | |
|-------------|-------------|---------------|--------------|--------------|--------------|--------------------------|--------------------------|-------------|-----------|-----------------|-------------|
| WHITE | 4.70 [.185] | - | - | - | - | 2,3, 29,30, 33,34, 60,61 | NONE | NONE | - | 31 | 1489930-7 |
| WHITE | 4.75 [.187] | - | - | - | - | 2,3, 29,30, 33,34, 60,61 | NONE | NONE | - | 31 | 1489930-6 |
| WHITE | 3.18 [.125] | 26.49 [1.043] | 24.13 [.950] | - | - | 2,3, 29,30, 33,34, 60,61 | 10,11 | 57 | 10.0 +12v | 31 | 1489930-5 |
| WHITE | 3.18 [.125] | - | - | - | - | 2,3, 29,30, 33,34, 60,61 | NONE | NONE | - | 31 | 1489930-4 |
| WHITE | 3.18 [.125] | 23.95 [.943] | 21.59 [.850] | 8.71 [.343] | 6.35 [.250] | 2,3, 29,30, 33,34, 60,61 | 3,4 & 9,10 | 57 | - | 31 | 1489930-3 |
| BLACK | 3.18 [.125] | 26.49 [1.043] | 24.13 [.950] | - | - | 2,3, 29,30, 33,34, 60,61 | 10,11 | 57 | 10.0 +12v | 31 | 1489930-2 |
| BLACK | 3.18 [.125] | 26.49 [1.043] | 24.13 [.950] | 13.79 [.543] | 11.43 [.450] | 2,3, 29,30, 33,34, 60,61 | 5,6 & 10,11 | 57 | 10.1 +12v | 31 | 1489930-1 |
| LATCH COLOR | H | E | D | B | A | RETENTION LOCATION | MOLDED-IN KEYING FEATURE | OMITTED PIN | VRM TYPE | NO OF DUAL POSN | PART NUMBER |

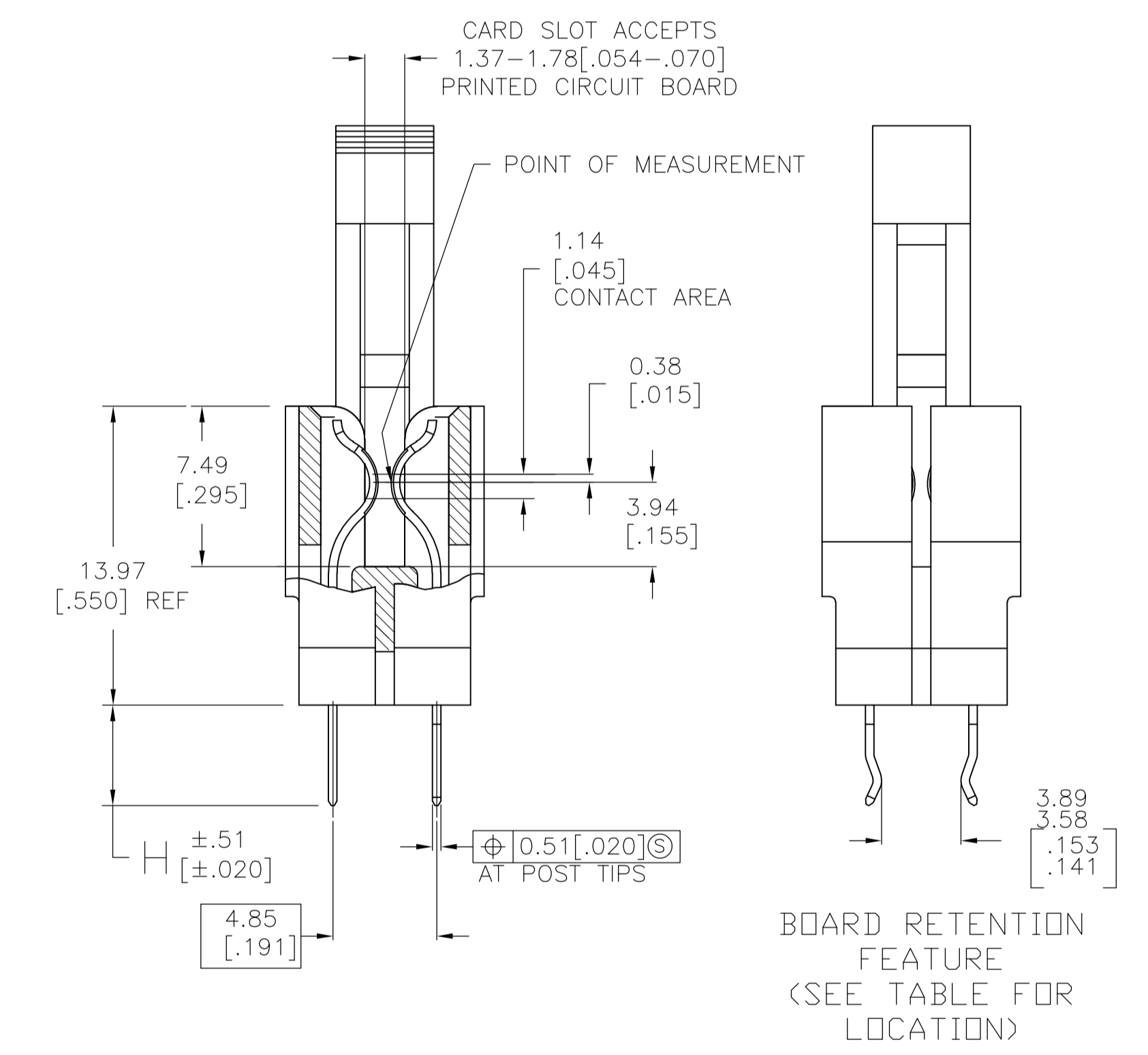
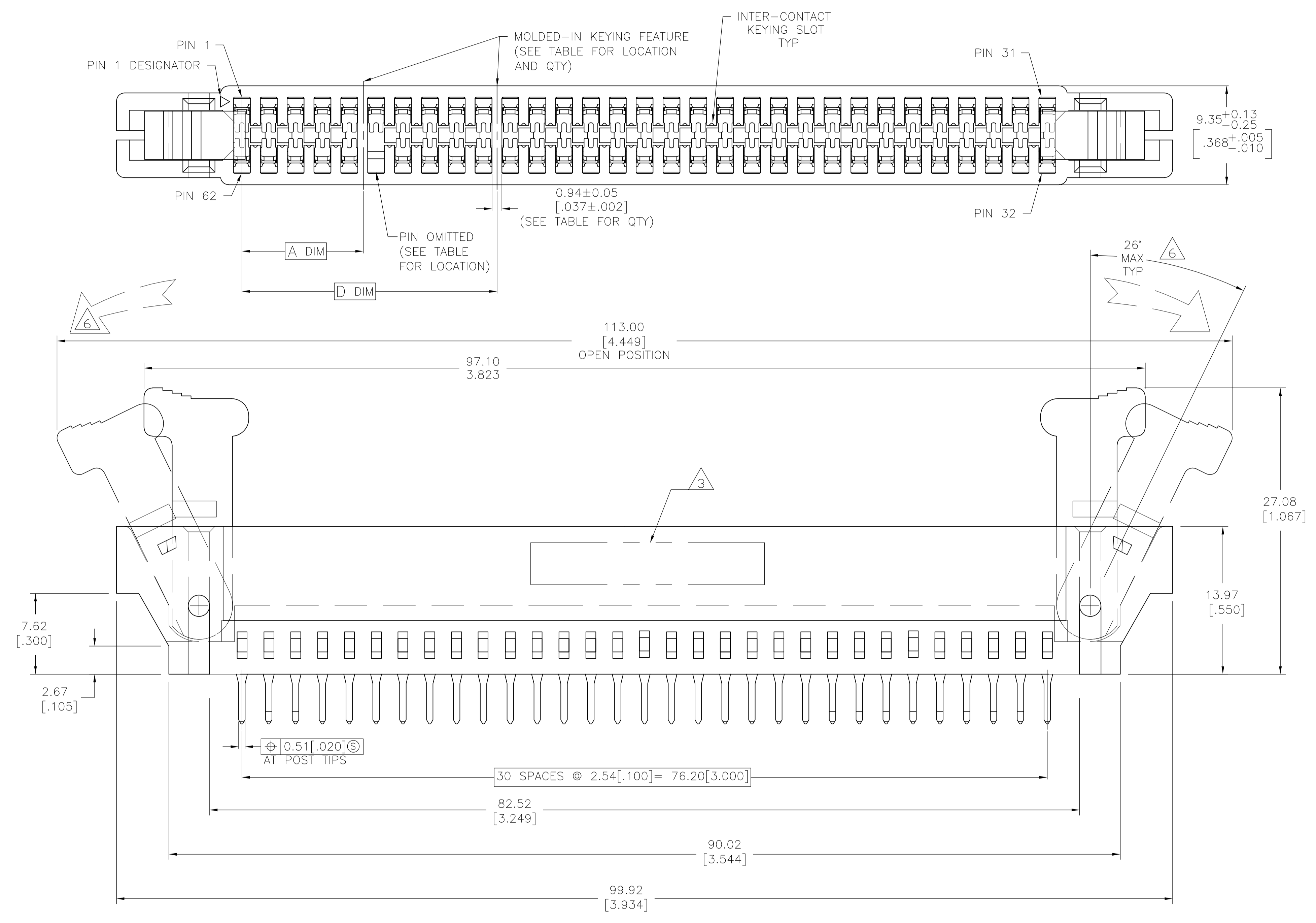
THIS DRAWING IS A CONTROLLED DOCUMENT. DIMENSIONS: mm [INCHES]. TOLERANCES UNLESS OTHERWISE SPECIFIED: 0 PLC ±, 1 PLC ±, 2 PLC ±, 3 PLC ±.13 [.005], 4 PLC ±, ANGLES ±.

AWF/L.A.MAYER 01APR2008, A.W.FRANTUM 01APR2008, S.FLICKINGER 01APR2008

TE Connectivity
 CONNECTOR ASSEMBLY
 HIGH CURRENT CARD EDGE
 DUAL POSITION, 2.54 [1.100] CENTERLINE

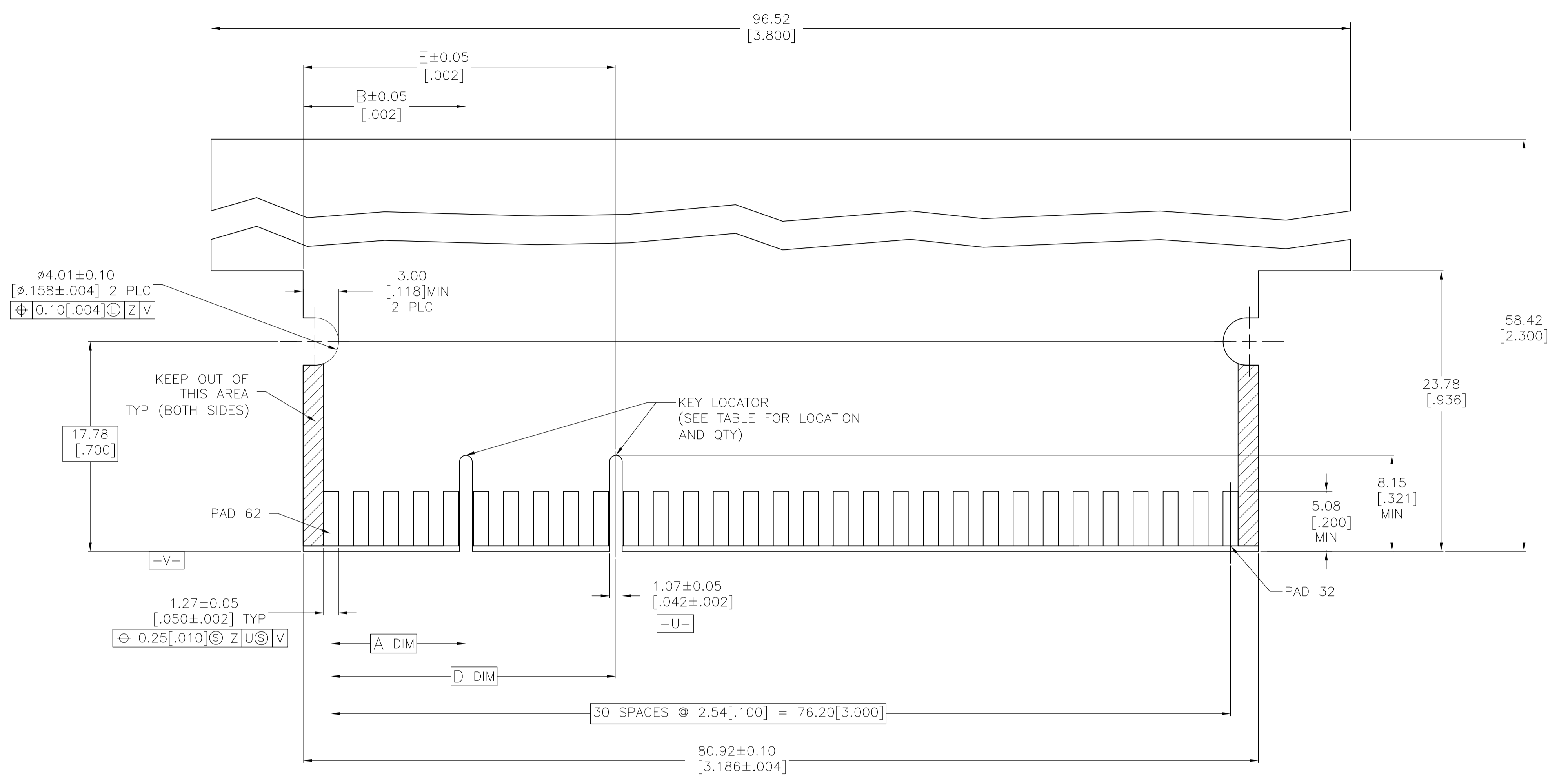
SIZE: A1, CAGE CODE: 00779, DRAWING NO: 108-2148, APPLICATION SPEC: 114-13018, WEIGHT: -, CUSTOMER DRAWING: 1489930

SCALE: 5:1, SHEET: 1 OF 3, REV: N2

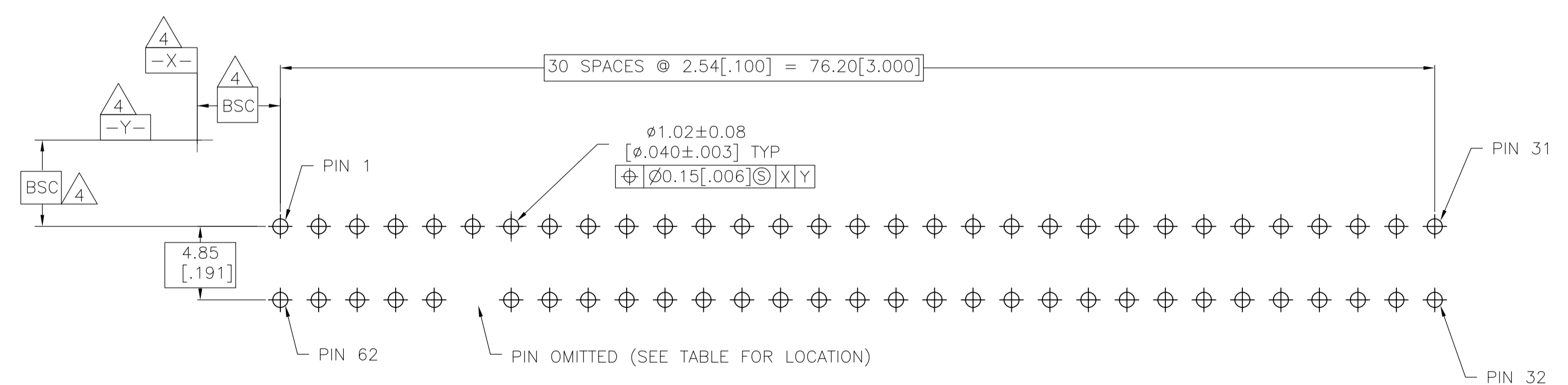


PART 1489930-7

| | | | | | |
|--|--|---|--|--|--|
| THIS DRAWING IS A CONTROLLED DOCUMENT. | | DIN AWF/L.A.MAYER 01APR2008 | | TE Connectivity | |
| DIMENSIONS: mm [INCHES] | | TOLERANCES UNLESS OTHERWISE SPECIFIED: | | | |
| 0 PLC ± - 1 PLC ± - 2 PLC ± - 3 PLC ± .13 [.005] 4 PLC ± - ANGLES ± - | | AWF/FRANTUM 01APR2008 S.FLICKINGER 01APR2008 | | NAME: CONNECTOR ASSEMBLY HIGH CURRENT CARD EDGE 108-2148 APPLICATION SPEC: DUAL POSITION, 2.54 [.100] CENTERLINE SIZE: 114-13018 CAGE CODE: 1489930 | |
| MATERIAL: SEE NOTE 1 | | FINISH: SEE NOTE 2 | | WEIGHT: - CUSTOMER DRAWING: 00779 SCALE: 5:1 SHEET 2 OF 3 REV N2 | |



RECOMMENDED MATING BORAD EDGE CONFIGURATION



RECOMMENDED PC BOARD HOLE LAYOUT

| | | | | | |
|--|--|------------------------------|--|---------------------------------------|--|
| THIS DRAWING IS A CONTROLLED DOCUMENT. | | DWN: AWF/L.A.MAYER 01APR2008 | | TE Connectivity | |
| DIMENSIONS: mm [INCHES] | | Dk: A.W.FRANTUM 01APR2008 | | NAME: S.FLICKINGER 01APR2008 | |
| TOLERANCES UNLESS OTHERWISE SPECIFIED: | | PRODUCT SPEC | | CONNECTION ASSEMBLY | |
| 0 PLC ± - | | APPLICATION SPEC | | HIGH CURRENT CARD EDGE | |
| 1 PLC ± - | | MATERIAL | | DUAL POSITION, 2.54 [.100] CENTERLINE | |
| 2 PLC ± - | | FINISH | | SIZE: A1 00779 C=1489930 | |
| 3 PLC ± .13 [.005] | | WEIGHT | | RESTRICTED TO | |
| 4 PLC ± - | | CUSTOMER DRAWING | | SCALE: 5:1 SHEET 3 OF 3 REV: N2 | |
| ANGLES ± - | | | | | |