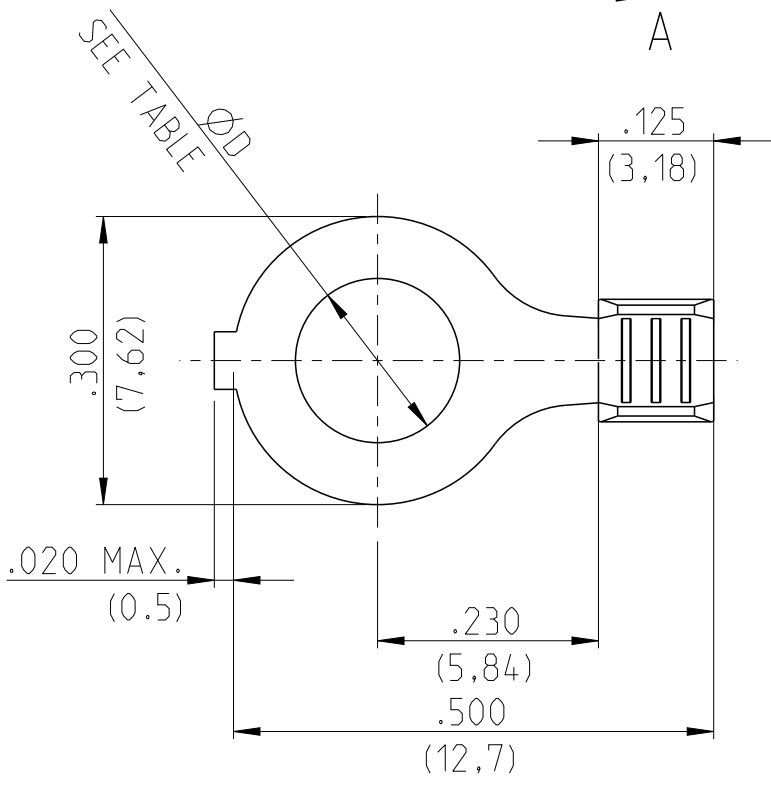
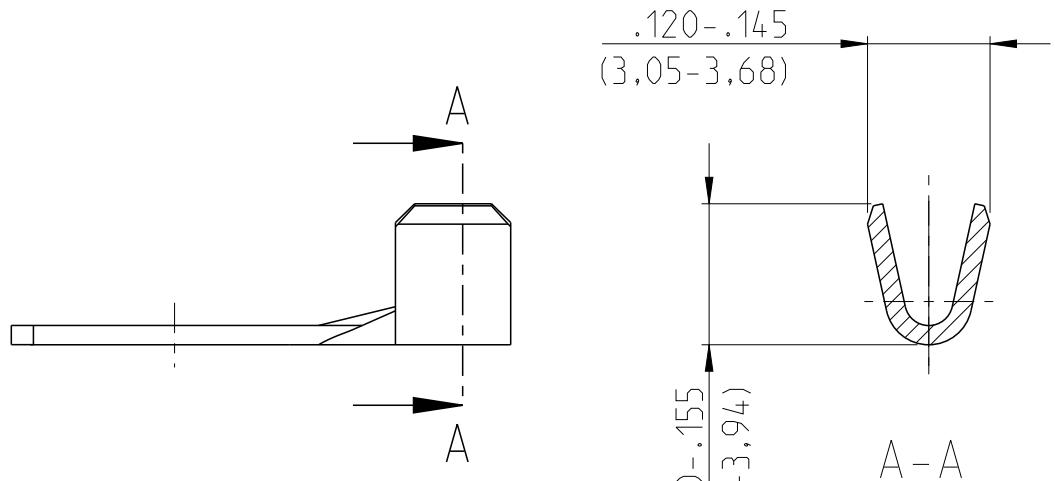


LOC	DIST	REVISIONS					
IR	-	P	LTR	DESCRIPTION	DATE	DWN	APVD
			N3	OBSOLETE	12SEP2012	PKS	RRP
	N4	RE-ACTIVATED	26FEB2013	PKS	RRP		



TIN PLATED	#8	.171 (4,34)	BRASS	150070-5
NONE	#8	.171 (4,34)	BRASS	150070-2
FINISH	STUD	D ±.003 (±0.08)	MATERIAL	PART NO

RELEASED FOR PUBLICATION
 ALL RIGHTS RESERVED.
 COPYRIGHT

DIMENSIONS: INCH		DWN SENTHIL 26FEB2012	MATERIAL SEE TABLE	FINISH SEE TABLE
TOLERANCES UNLESS OTHERWISE SPECIFIED:		CHK SENTHIL 26FEB2012	TE Connectivity	
0 PLC ± 1 PLC ±.02 2 PLC ±.02 3 PLC ±.02 4 PLC ± ANGLES ±		APVD RAJENDRA 26FEB2012		
		PRODUCT SPEC	NAME RING TONGUE TERMINAL	
		APPLICATION SPEC	SIZE A 4	CAGE CODE 00779
		WEIGHT	DRAWING NO C-150070	RESTRICTED TO -
Customer Drawing		SCALE 5:1	SHEET 1	OF 1
				REV N4