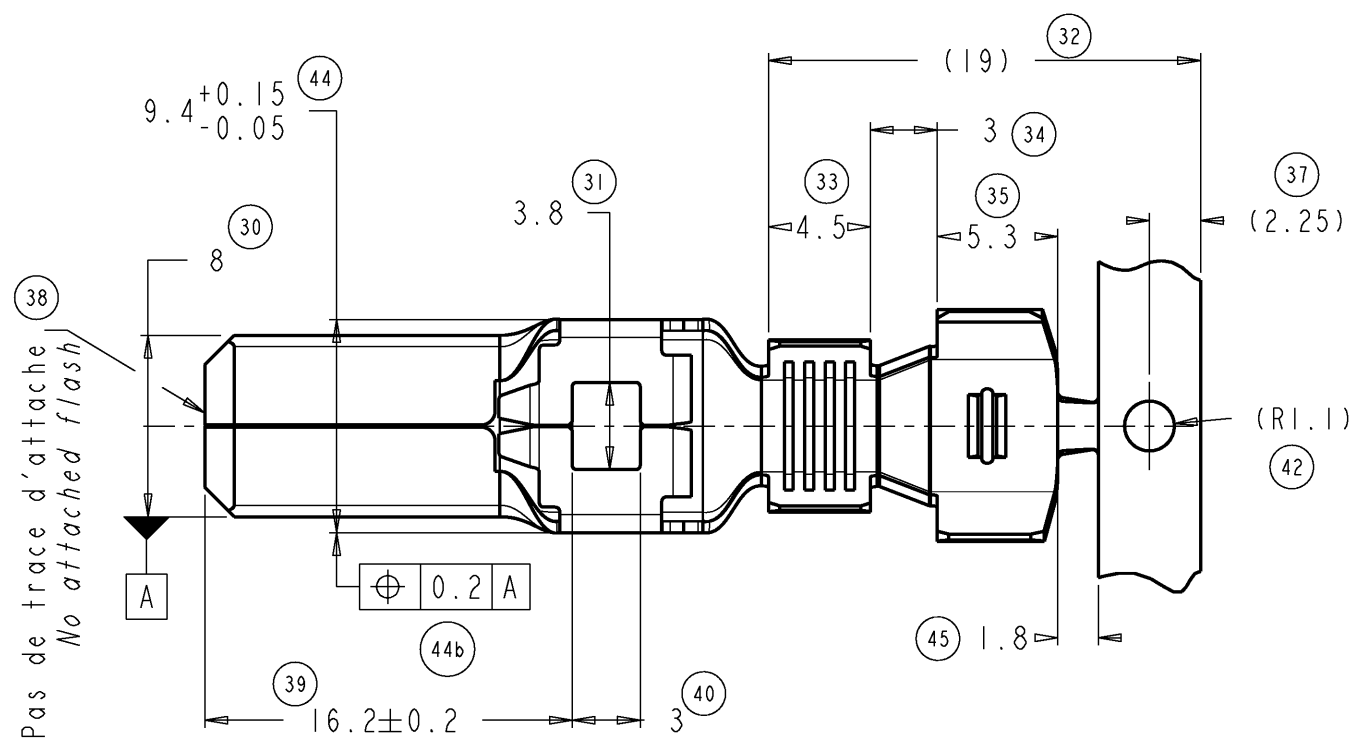
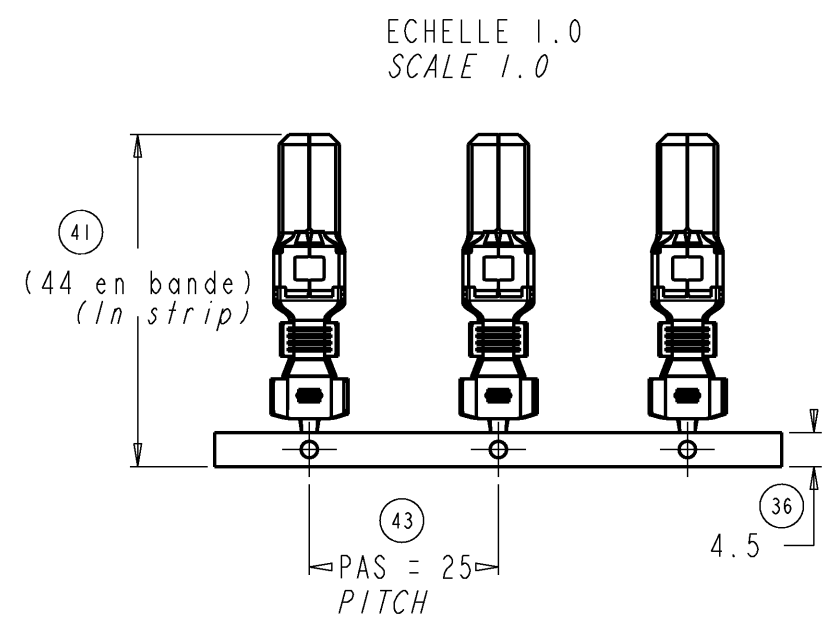
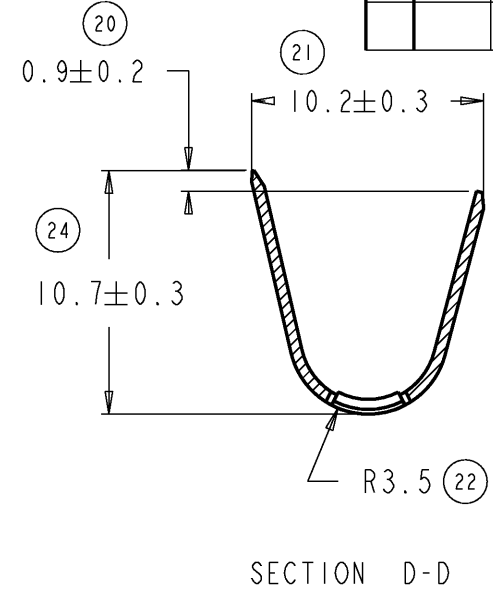
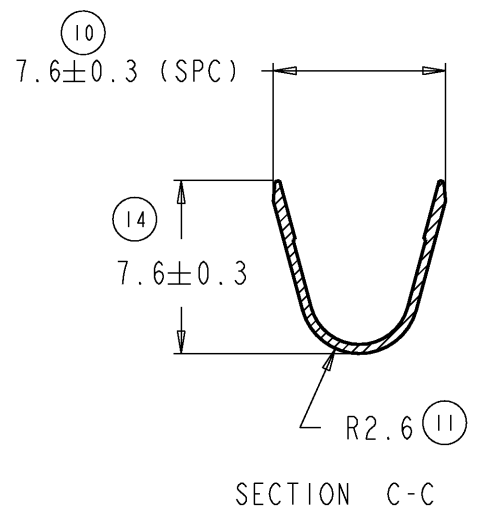
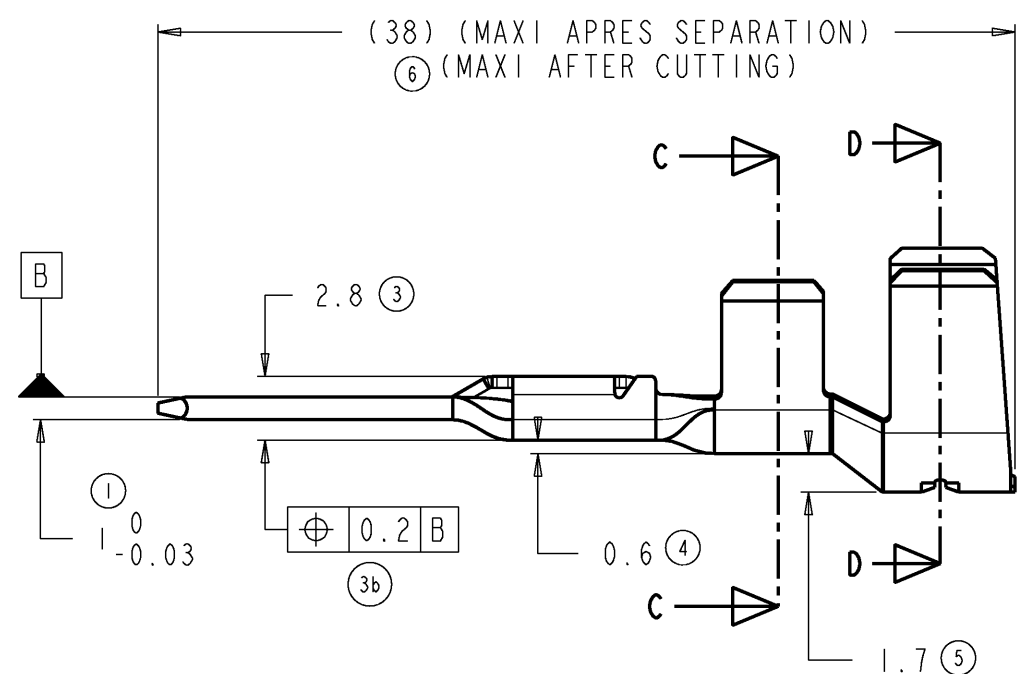


P	LTR REV	DESCRIPTION MODIFICATIONS	DATE	DWN DESS.	APVD APP.
C		PACKAGING MODIFICATION, SET UP TRANSITION	31MAR2008	PFs	JDr
-		BETWEEN TAB AND CAGE, TYCO TITLE BLOCK.			
-		CRIMPING SPECIFICATION REPLACED BY No			



() COTE DONNEE A TITRE INDICATIF
() DIMENSION ONLY FOR INFORMATION

JOINT UNIFILAIRE ASSOCIE - ASSOCIATE WIRE SEAL		
DESIGNATION DEFINITION	PN TE TE PN	PN CLIENT CUSTOMER PN
JOINT UNIFILAIRE A SERTIR 7 A 10 mm ² DIAMETRE FIL 4.3 A 6 mm SINGLE SEAL 7 TO 10 mm ² WIRE DIAMETER FROM 4.3 TO 6mm	1544316-2	

PN CLIENT CUSTOMER PN	PN TE TE PN	MATIERE MATERIAL	PROTECTION FINISH
	1544333-1	LAITON / BRASS SPEC SM 125	Sn : 0.8 A 1.2µ SPEC 112-16-4

CONDITIONNEMENT - PACKAGING

- CONDITIONNEMENT SELON SPECIFICATIONS: 107-15603
- NOMBRE DE PIECES PAR GALETTE = 850
- NOMBRE DE GALLETES PAR CARTON = 2
- PACKAGING ACCORDING TO SPECIFICATIONS No: 107-15603
- NUMBER PARTS BY WHEEL = 850
- NUMBER OF WHEELS BY BOX = 2

THIS DRAWING IS A CONTROLLED DOCUMENT FOR TYCO ELECTRONICS CORPORATION IT IS SUBJECT TO CHANGE AND THE CONTROLLING ENGINEERING ORGANIZATION SHOULD BE CONTACTED FOR THE LATEST REVISION. CE PLAN EST UN DOCUMENT CONTROLE PAR AMP INCORPORATED. IL EST SUSCEPTIBLE D'ETRE REVISE. CONTACTER LE SERVICE TECHNIQUE D'AMP DE FRANCE POUR OBTENIR LA DERNIERE REVISION.		DWN/DESSINE 31MAR08 P. FLORES CHK/VERIFIE 31MAR08 L. CORONELLI APVD/APPROUVE 31MAR08 J. DAHER	Tyco Electronics Tyco Electronics France SAS RN 90, 38530 Chapareillan
DIMENSIONS: mm	TOLERANCES UNLESS OTHERWISE SPECIFIED: TOLERANCES NON SPECIFIEES (SUIV NB DE DECIMALES): 1 PLC/DEC: ± 2 PLC/DEC: ±0.1 3 PLC/DEC: ± 4 PLC/DEC: ± ANGLES ±2°	PRODUCT SPEC SPEC. PRODUIT 108-15346 APPLICATION SPEC SPEC. APPLICATION 114-15112	NAME TITRE LANGUETTE 8NG1 - GAMME 7 A 10 mm ² 8NG1 TAB - RANGE 7 TO 10mm ²
MATERIALE MATIERE SEE TABLE	FINISH FINITION SEE TABLE	WEIGHT MASSE APPROX. 0.003kg CUSTOMER DRAWING /PLAN CLIENT	SIZE FORMAT A3 CAGE CODE 00779 DRAWING NO No PLAN C=1544333 RESTRICTED TO RESERVE A -

DWN/DESSINE 31MAR08 P. FLORES CHK/VERIFIE 31MAR08 L. CORONELLI APVD/APPROUVE 31MAR08 J. DAHER	Tyco Electronics Tyco Electronics France SAS RN 90, 38530 Chapareillan	NAME TITRE LANGUETTE 8NG1 - GAMME 7 A 10 mm ² 8NG1 TAB - RANGE 7 TO 10mm ²	SIZE FORMAT A3 CAGE CODE 00779 DRAWING NO No PLAN C=1544333 RESTRICTED TO RESERVE A -
CUSTOMER DRAWING /PLAN CLIENT	UNTOUEMENT POUR REFERENCE	SCALE ECHELLE 3	SHEET FEUILLE 1 OF DE 1 REV C