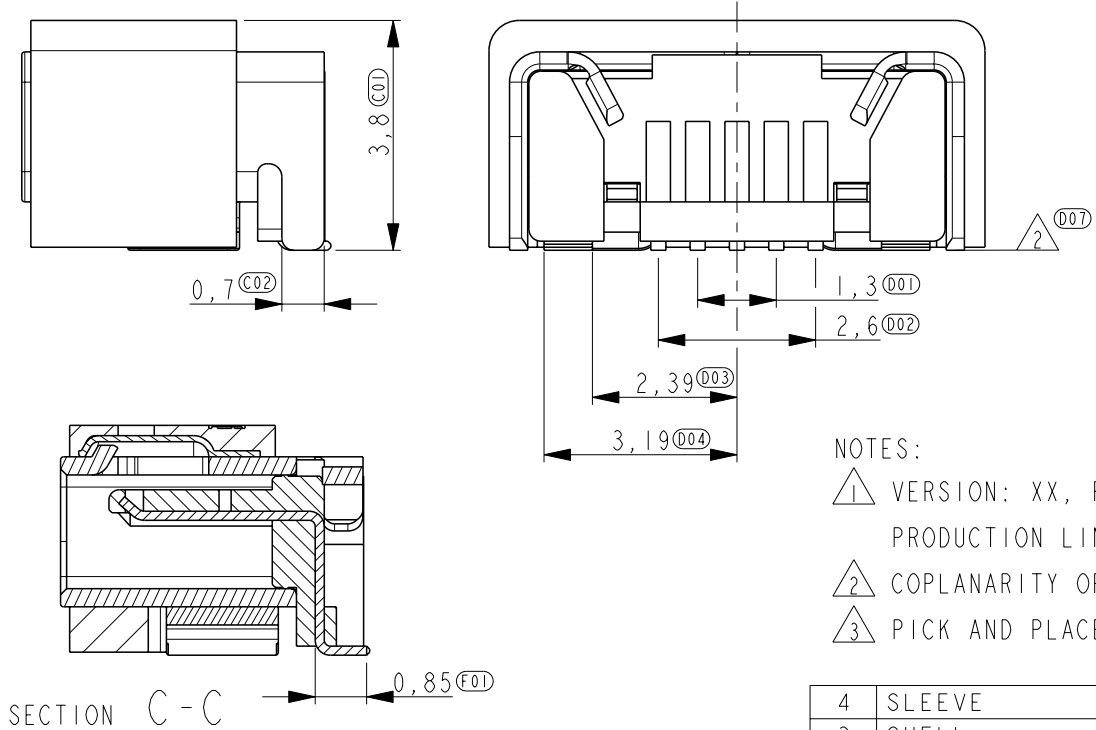
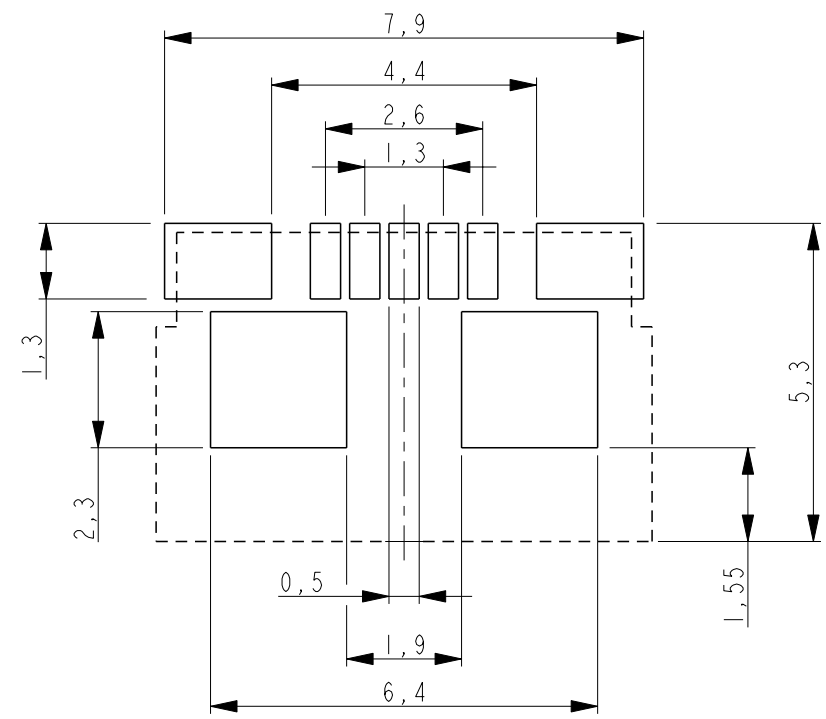
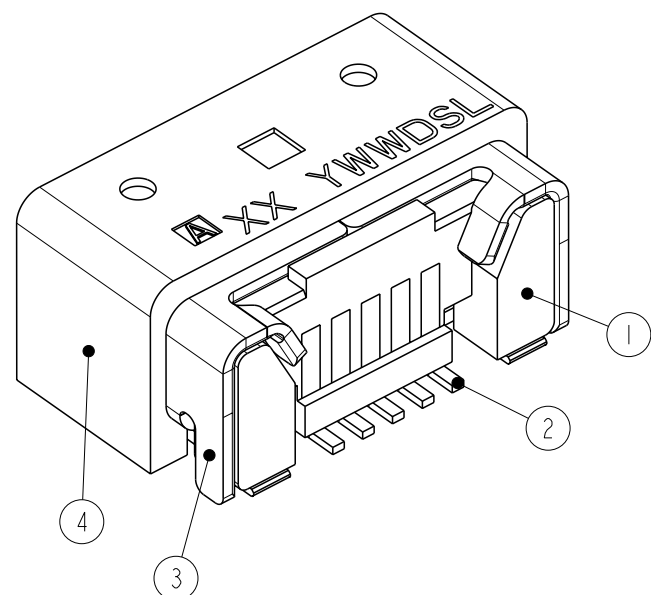
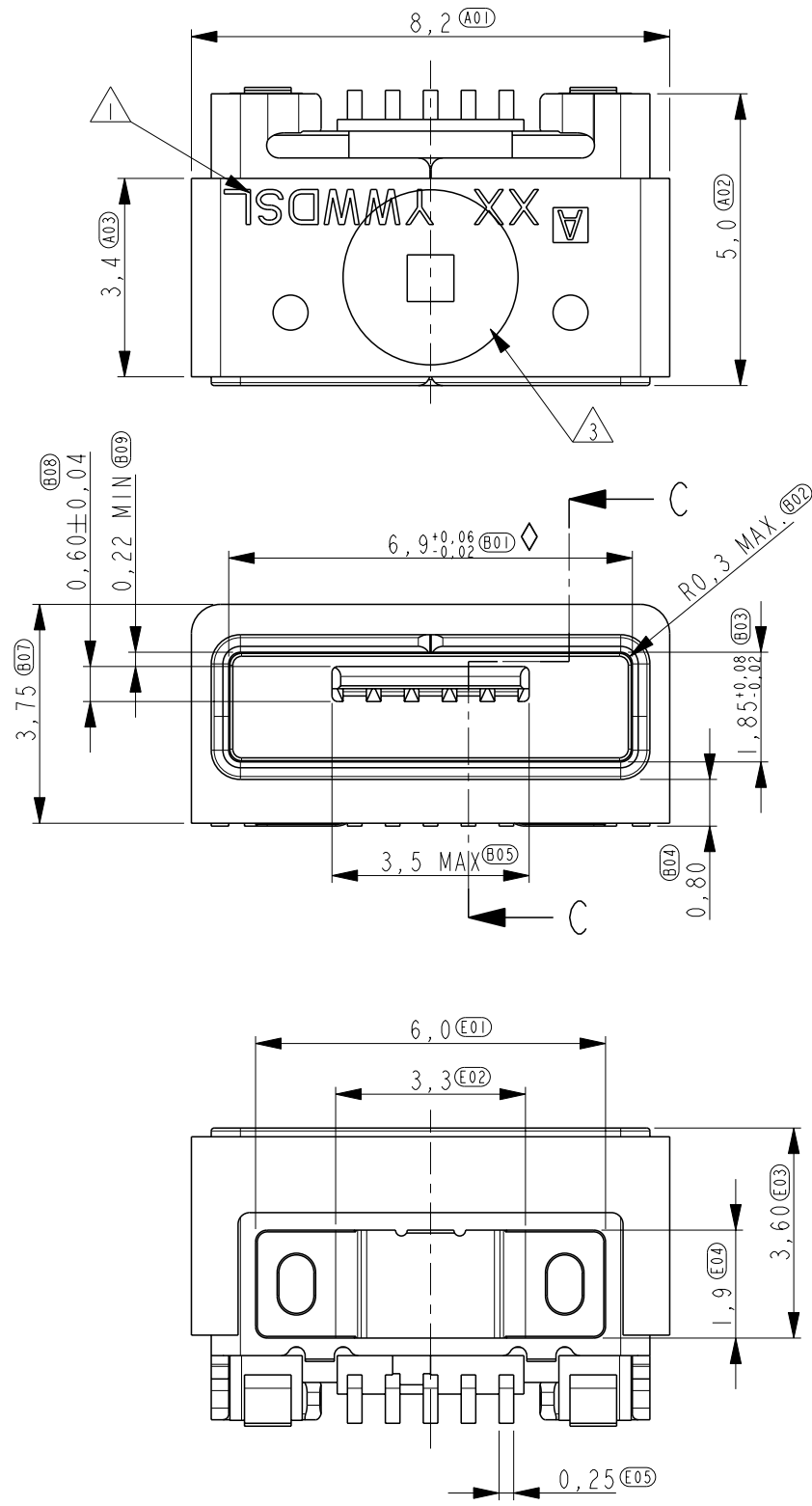


THIS DRAWING IS UNPUBLISHED. RELEASED FOR PUBLICATION 20
 © COPYRIGHT 20 BY - ALL RIGHTS RESERVED.

LOC		DIST		REVISIONS			
P	LTR	DESCRIPTION	DATE	DWN	APVD		
-	-	-	-	-	-		
	A	ECR-12-012496	11JUL2012	JvH	DH		
	B	ECR-12-014942	22AUG2012	WJ	DH		
	B1	ECR-12-015266	28AUG2012	WJ	DH		
	B2	ECR-13-013765	30AUG2013	JvH	DH		



NOTES:
 △ VERSION: XX, PRODUCTION DATE: YYWW, SHIFT CODE: S, PRODUCTION LINE NO: L.
 ② COPLANARITY OF 11 SOLDER SURFACES 0,08 MAX.
 ③ PICK AND PLACE AREA Ø3

TE PN: 1551629-2
 TE PN FOR LOW MOQ: 1551629-3

THIS DRAWING IS A CONTROLLED DOCUMENT.

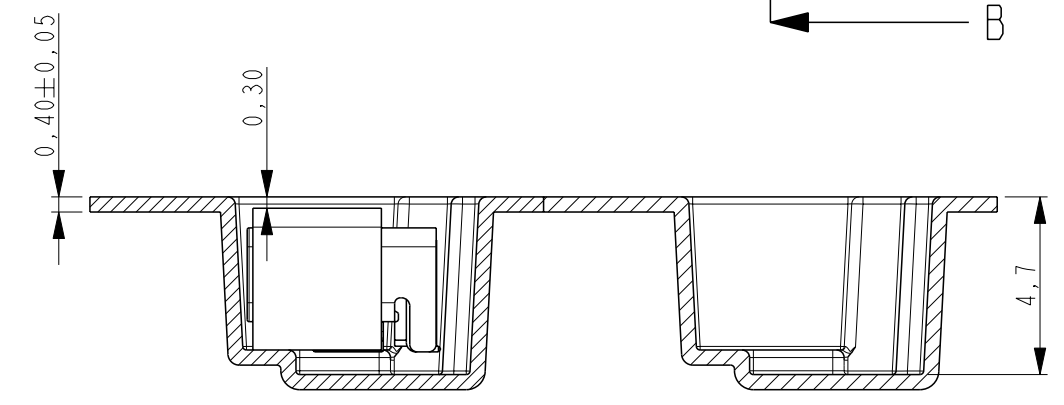
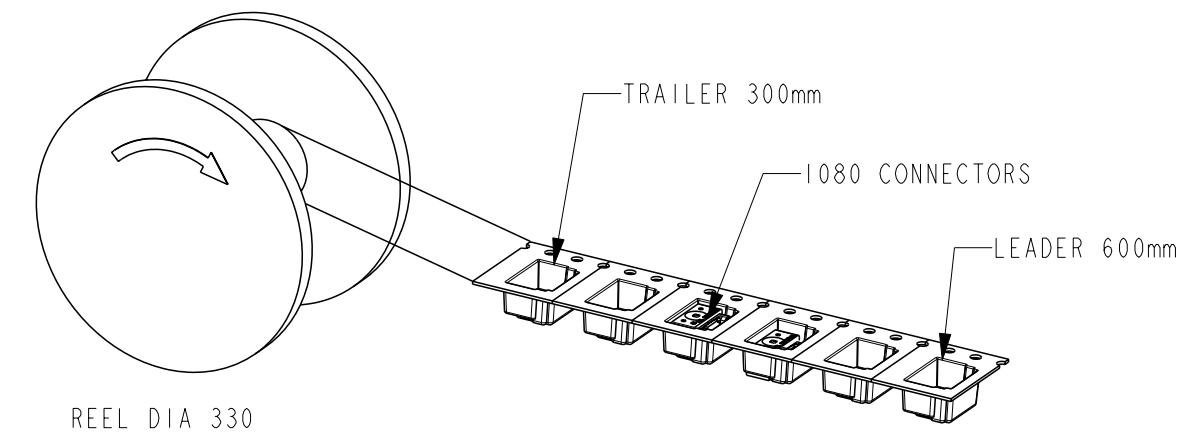
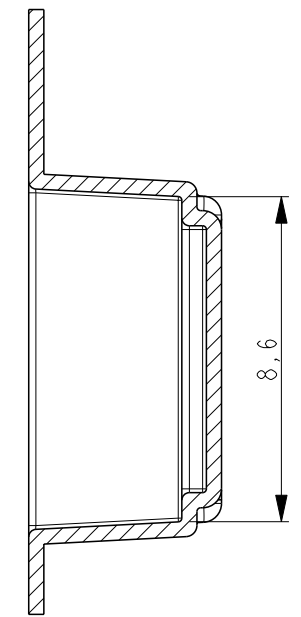
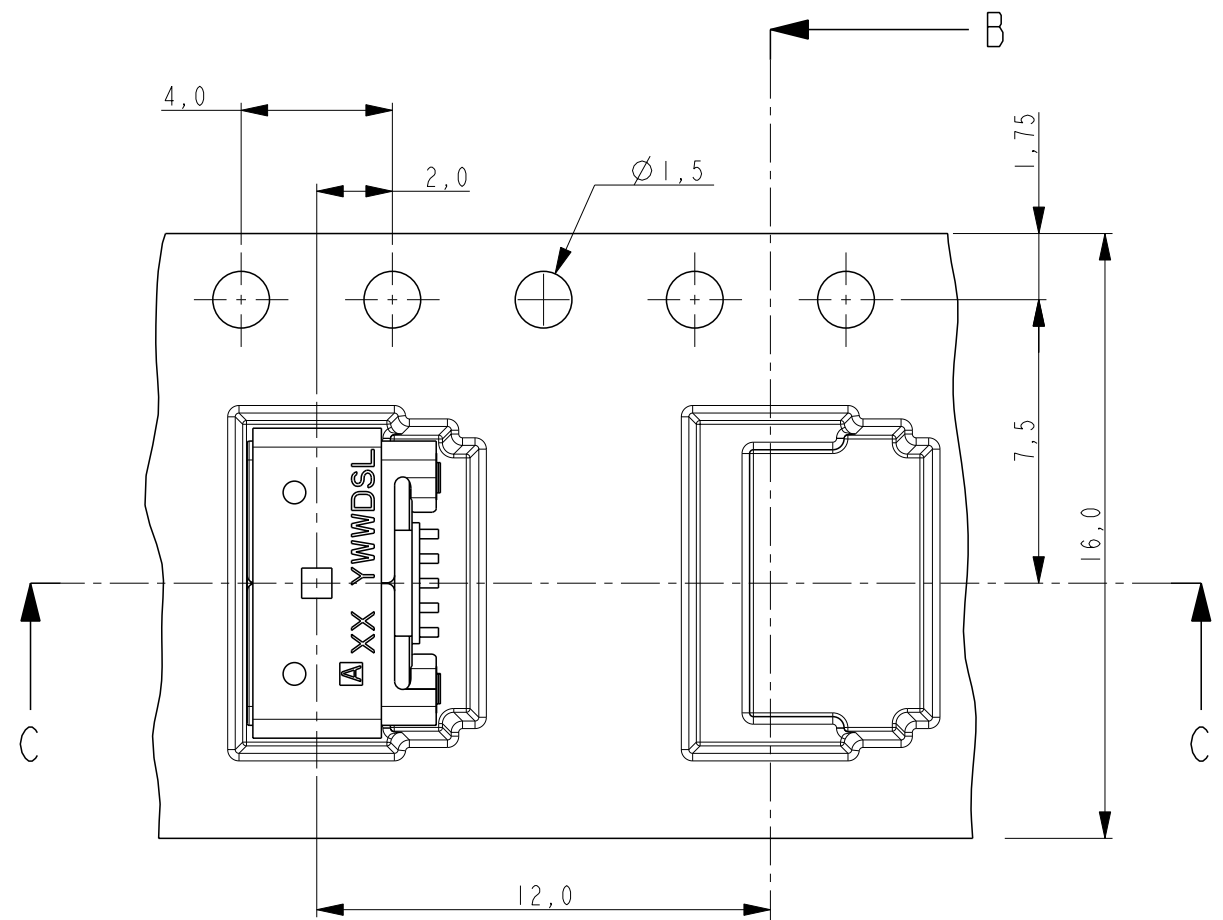
DIMENSIONS:		TOLERANCES UNLESS OTHERWISE SPECIFIED:	
mm			
0 PLC	±0,2		
1 PLC	±0,1		
2 PLC	±0,1		
3 PLC	±0,025		
4 PLC	±0,001		
ANGLES	±2°		
MATERIAL		FINISH	

ITEM NO.	DESCRIPTION	MATERIAL	FINISH
4	SLEEVE	LCP	
3	SHELL	STAINLESS STEEL	Tin over Nickel plating
2	CONTACT	COPPER ALLOY	Gold over Nickel plating
1	HOUSING	LCP	


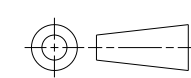
ITEM NO.	DESCRIPTION	MATERIAL	FINISH
DWN	04APR2010		
W. Jansen			
CHK	04APR2010		
W. Jansen			
APVD	04APR2010		
D. Halberstadt			
PRODUCT SPEC			
APPLICATION SPEC			
WEIGHT	0,33 gr		

TE Connectivity		NAME	
		SPLASH-PROOF MICRO USB	
		AB-TYPE	
		0,8 mm OFFSET	
SIZE	CAGE CODE	DRAWING NO	RESTRICTED TO
A3	00779	C=1551629	-
Customer Drawing		SCALE	SHEET
		8:1	1 OF 3
		REV B2	

LOC	DIST	REVISIONS				
P	LTR	DESCRIPTION	DATE	DWN	APVD	
-	-	SEE SHEET 1	-	-	-	

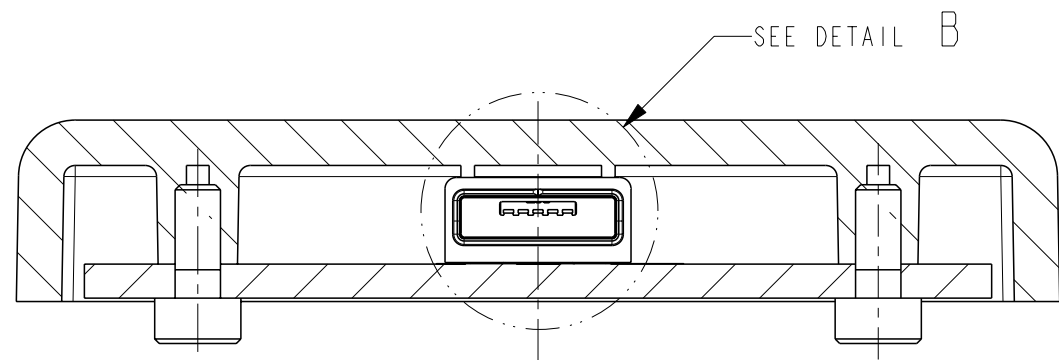


NOTES:
COVER, EMOSS TAPE AND REEL ACCODING EIA STANDARD 481-D

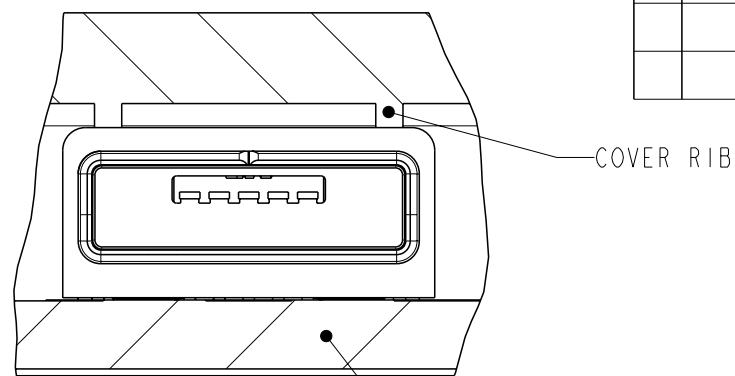
THIS DRAWING IS A CONTROLLED DOCUMENT.		DWN W. Jansen	04APR2010	 TE Connectivity			
DIMENSIONS: mm		CHK W. Jansen	04APR2010				
		APVD D. Halberstadt	04APR2010				
TOLERANCES UNLESS OTHERWISE SPECIFIED:		PRODUCT SPEC	-				
0 PLC ±0,2 1 PLC ±0,1 2 PLC ±0,1 3 PLC ±0,025 4 PLC ±0,001 ANGLES ±2°		APPLICATION SPEC	-	NAME SPLASH-PROOF MICRO USB AB-TYPE 0,8 mm OFFSET			
MATERIAL -		FINISH -	WEIGHT 0,33 gr	SIZE A3	CAGE CODE 00779	DRAWING NO C=1551629	RESTRICTED TO -
Customer Drawing				SCALE 8:1	SHEET 2 OF 3	REV B2	

LOC	DIST
-	-

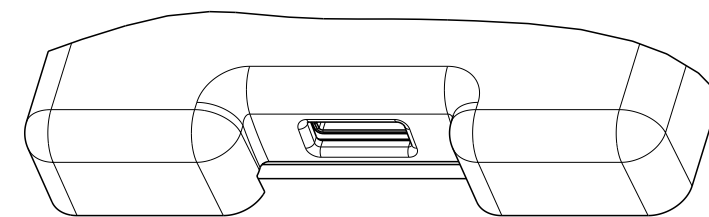
REVISIONS					
P	LTR	DESCRIPTION	DATE	DWN	APVD
-	-	SEE SHEET 1	-	-	-



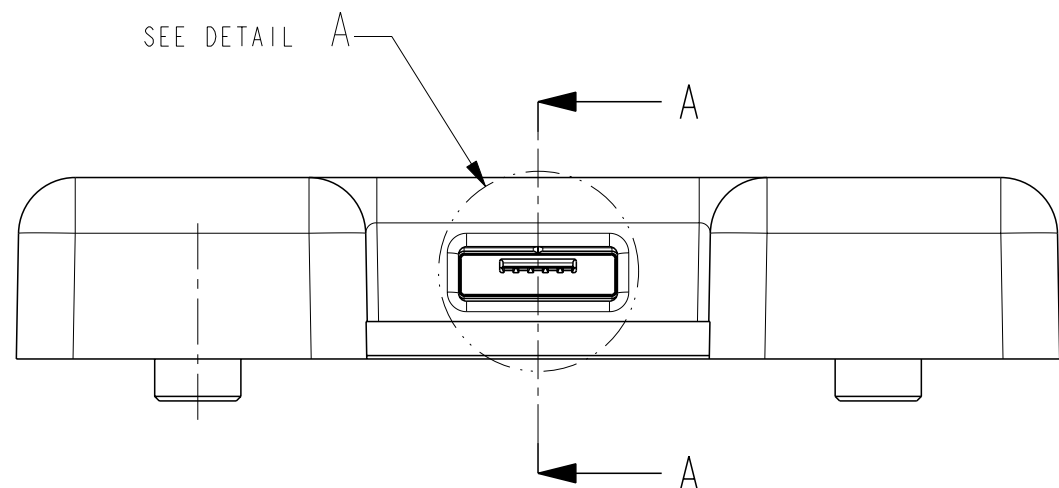
SECTION D-D



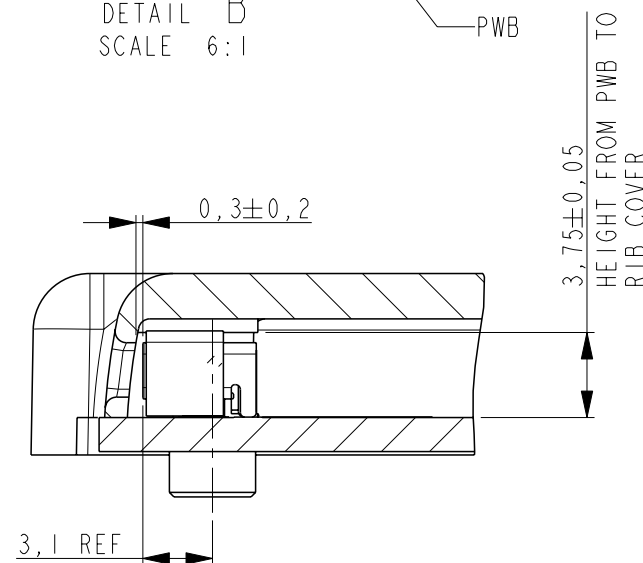
DETAIL B
SCALE 6:1



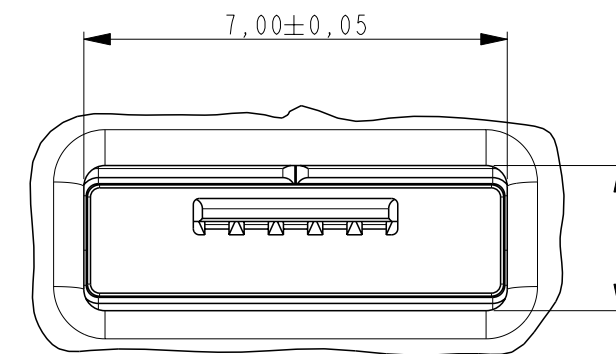
SCALE 2:1



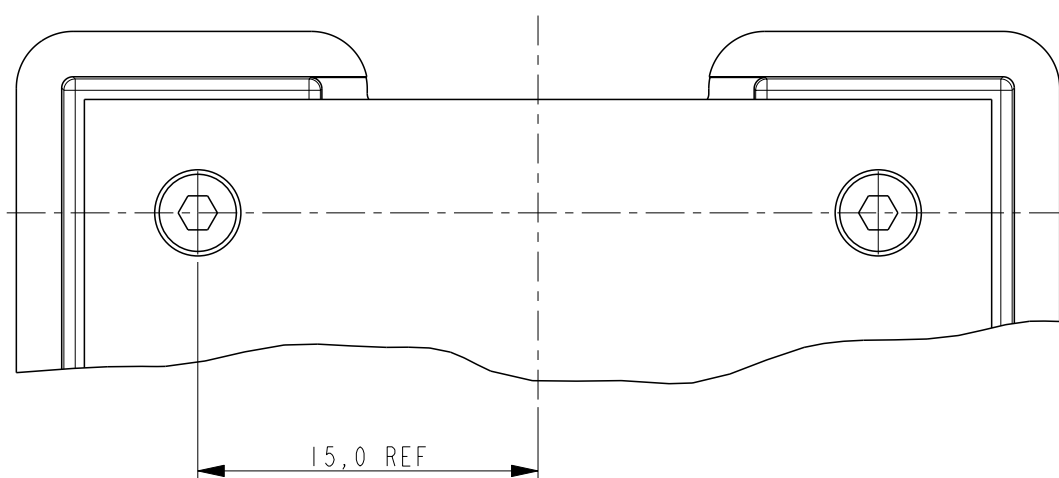
SEE DETAIL A



SECTION A-A



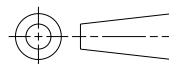
RECOMMENDED COVER HOLE SHAPE
DETAIL A
SCALE 8:1



RECOMMENDED PWB AND COVER ASSEMBLY

THIS DRAWING IS A CONTROLLED DOCUMENT.

DIMENSIONS:
mm



TOLERANCES UNLESS OTHERWISE SPECIFIED:	
0 PLC	±0,2
1 PLC	±0,1
2 PLC	±0,1
3 PLC	±0,025
4 PLC	±0,001
ANGLES	±2°
FINISH	-

MATERIAL

-

DWN 04APR2010

W. Jansen

CHK 04APR2010

W. Jansen

APVD 04APR2010

D. Halberstadt

PRODUCT SPEC

-

APPLICATION SPEC

-

WEIGHT

0,33 gr

Customer Drawing

NAME

SPLASH-PROOF MICRO USB
AB-TYPE
0,8 mm OFFSET

SIZE

A3

CAGE CODE

00779

DRAWING NO

C=1551629

RESTRICTED TO

-

Customer Drawing

SCALE 8:1

SHEET 3 OF 3

REV B2

