

4

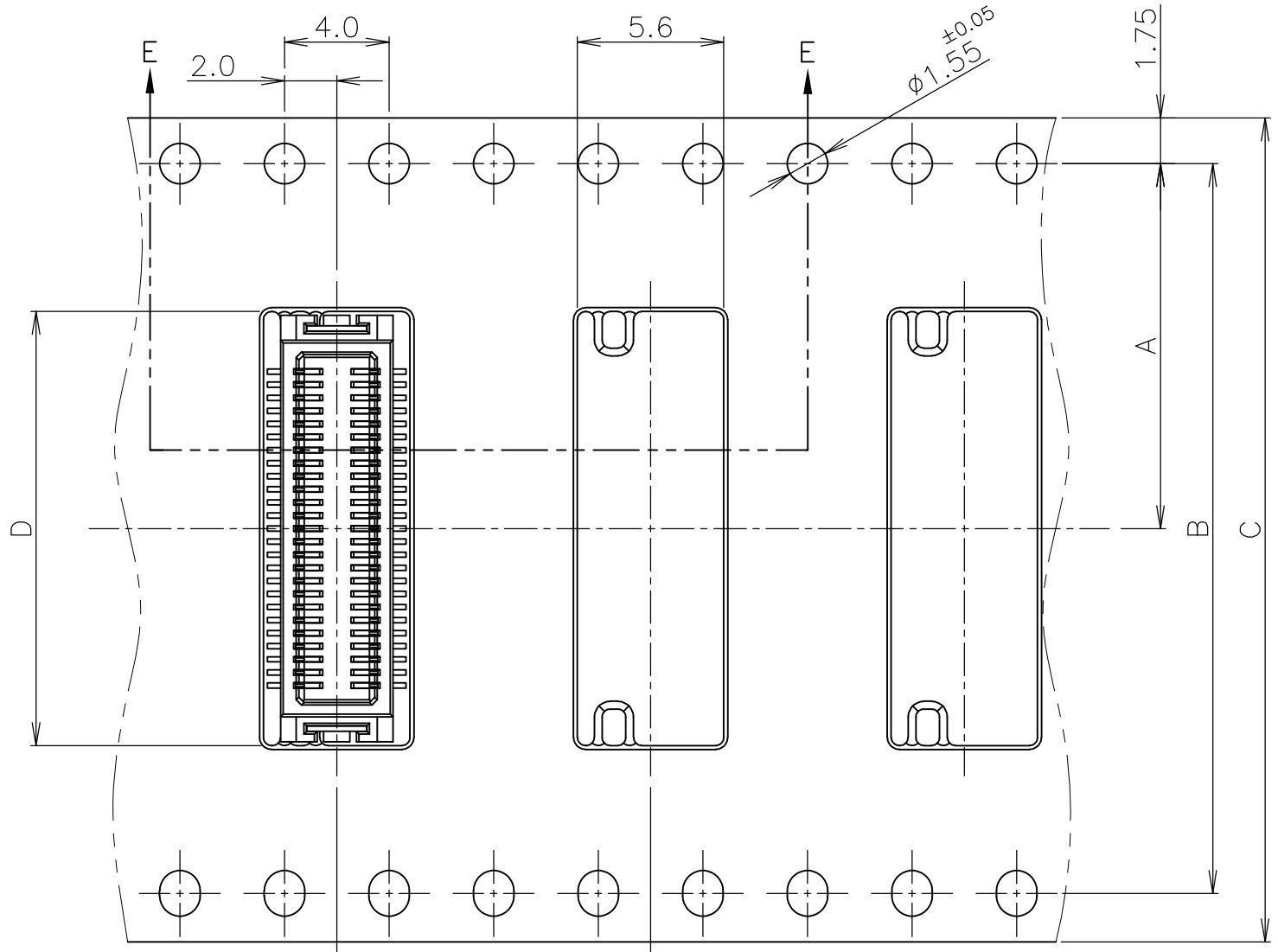
3

2

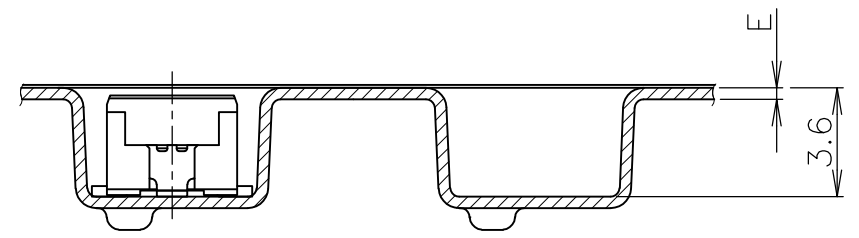
1

THIS DRAWING IS UNPUBLISHED. RELEASED FOR PUBLICATION APR. 2004.  
 © COPYRIGHT 2004 By - ALL RIGHTS RESERVED.

LOC ES	DIST 00	REVISIONS 変更		
P	LTR	DESCRIPTION	DATE	DWN APVD
	A2	RELEASED PER ECR-12-001064	09DEC11	J.J Y.S

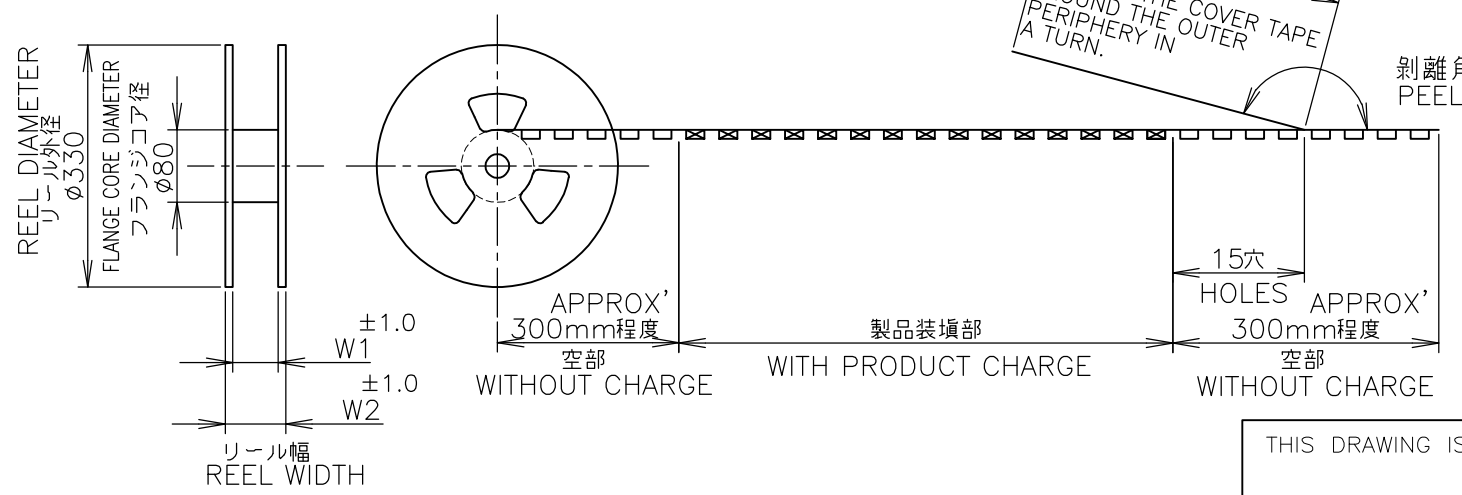


テープ幅  
TAPE WIDTH



E-E

引出し方向  
TOP OF REEL  
→



カバーテープ  
リーダー部  
外周一巻  
WEEDING THE COVER TAPE  
AROUND THE OUTER  
PERIPHERY IN  
A TURN.

剥離角度、165°~180°  
PEELING ANGLE.

FOR P/N \*-1,-3,-5,-9,  
5-\*-3,

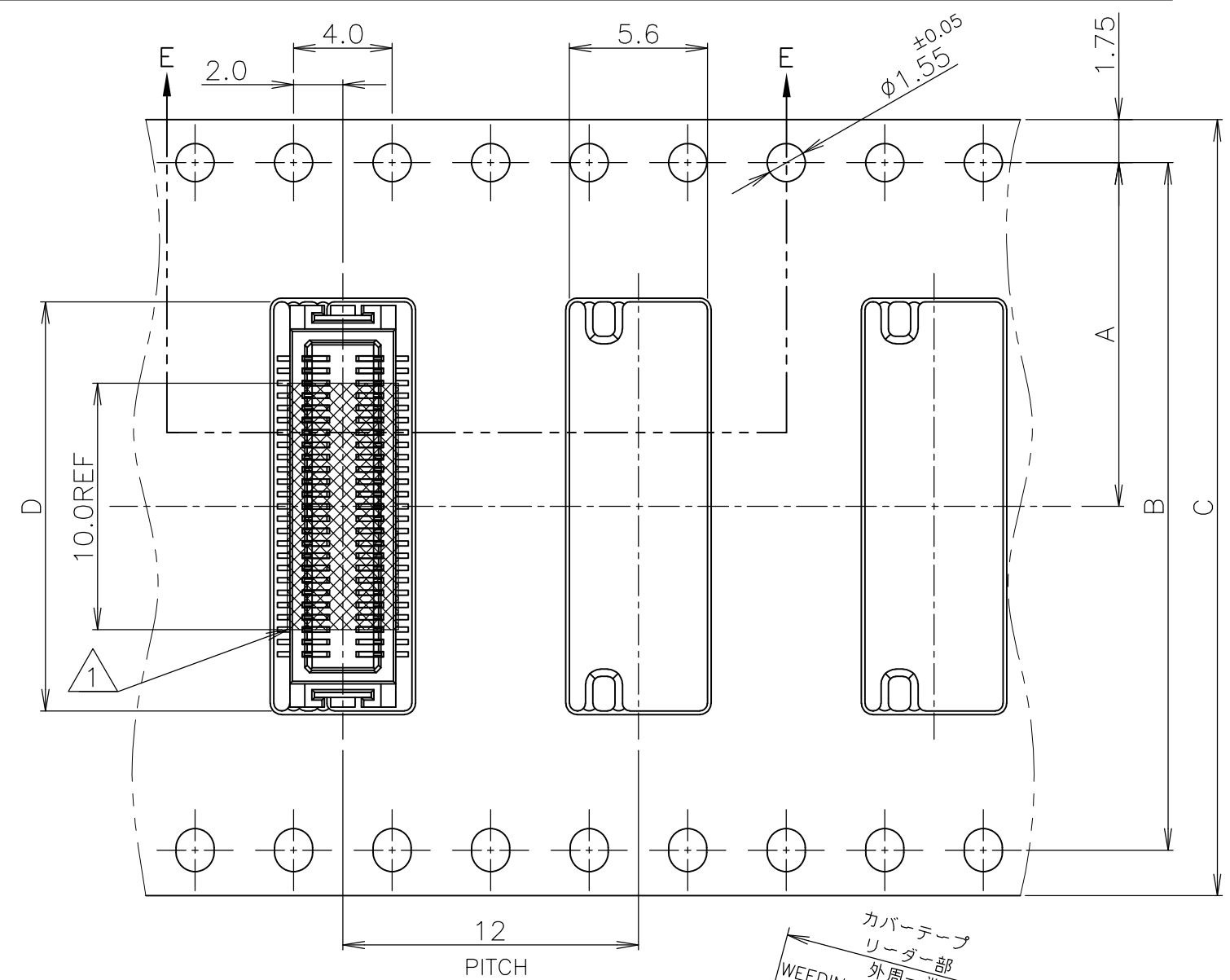
THIS DRAWING IS A CONTROLLED DOCUMENT.

DIMENSIONS: 単位: 耗 MM	TOLERANCES UNLESS OTHERWISE SPECIFIED: 一般公差
	0 PLC ± 0.3
	1 PLC ± 0.3
	2 PLC ± 0.3
	3 PLC ± 0.3
	4 PLC ± 0.3
	ANGLES ± 3'
MATERIAL 材料	FINISH 仕上

INSTRUCTION SHEET 取扱説明書 411-5808	WIRE RANGE 抱合電線断面積	INSULATION DIA 被覆外径
DWN Y.NAKAZAWA 23APR04	TE Connectivity	
CHK T.KUSUHARA 23APR04		
APVD H.MURAMATSU 23APR04	NAME 名称	
PRODUCT SPEC 製品規格 108-5496	ON TAPING (EMBOSS) 0.5mm PITCH FINE MATE CONN. TAB ASSEMBLY (V-TYPE) (H=4.5)	
APPLICATION SPEC 取付適用規格	SIZE A3	CAGE CODE 00779
WEIGHT	DRAWING NO 番号 C-1565359	RESTRICTED TO
CUSTOMER DRAWING	SCALE 尺度 4:1	SHEET 1 OF 3
		REV A2

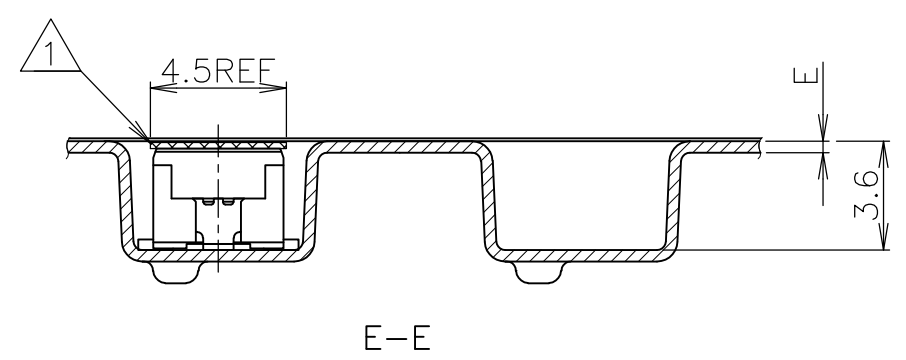
THIS DRAWING IS UNPUBLISHED. RELEASED FOR PUBLICATION APR. 2004.  
 © COPYRIGHT 2004 By - ALL RIGHTS RESERVED.

LOC ES	DIST 00	REVISIONS 変更		
P	LTR	DESCRIPTION	DATE	DWN
	-	SEE SHEET 1		APVD



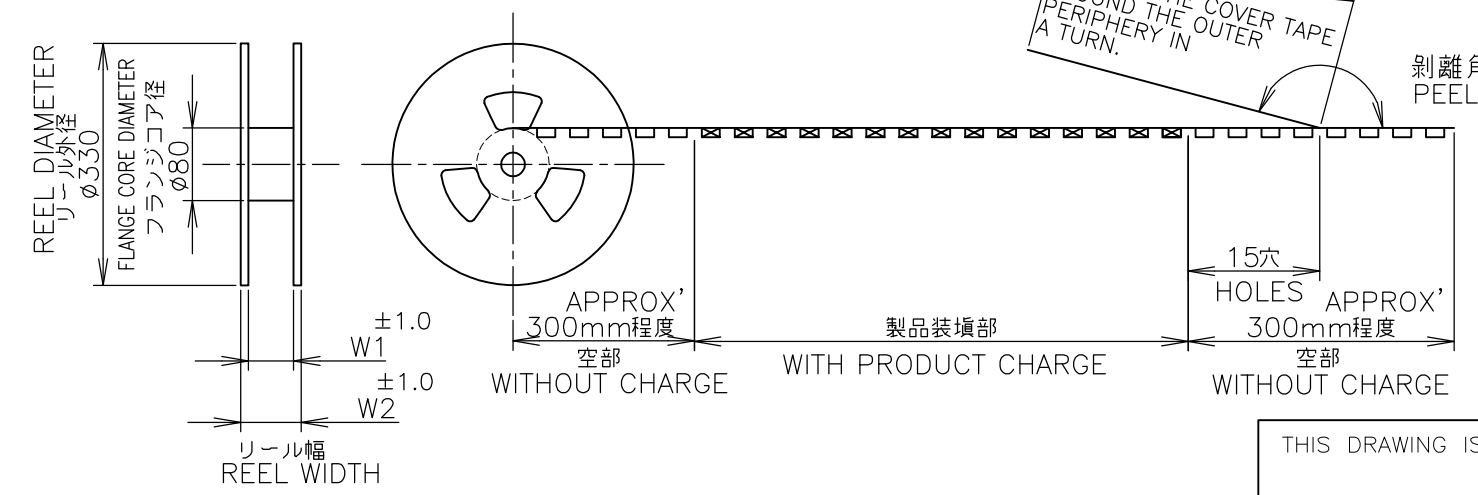
テープ幅  
TAPE WIDTH

引出し方向  
TOP OF REEL  
➔



カバーテープ  
リーダー部  
外周一巻  
WEEDING THE COVER TAPE  
AROUND THE OUTER  
PERIPHERY IN  
A TURN.  
剝離角度、165°~180°  
PEELING ANGLE.

NOTES:  
 1 POLYIMIDE TAPE FOR PICK AND PLACE.



FOR P/N 1-\*-\*1

THIS DRAWING IS A CONTROLLED DOCUMENT.

DIMENSIONS: 単位: 耗 MM	TOLERANCES UNLESS OTHERWISE SPECIFIED: 一般公差
0 PLC	± 0.3
1 PLC	± 0.3
2 PLC	± 0.3
3 PLC	± 0.3
4 PLC	± 0.3
ANGLES	± 3'
MATERIAL 材料	FINISH 仕上

INSTRUCTION SHEET 取扱説明書	WIRE RANGE 抱合電線断面積	INSULATION DIA 被覆外径
DWN	TE Connectivity	
CHK		
APVD	NAME 名称	
PRODUCT SPEC 製品規格	ON TAPING (EMBOSS) 0.5mm PITCH FINE MATE CONN. TAB ASSEMBLY (V-TYPE) (H=4.5)	
APPLICATION SPEC 取付適用規格	SIZE	CAGE CODE
WEIGHT	A3	00779
CUSTOMER DRAWING	DRAWING NO 番号	RESTRICTED TO
	C-1565359	
	SCALE 尺度 4:1	SHEET 2 OF 3
		REV A2

