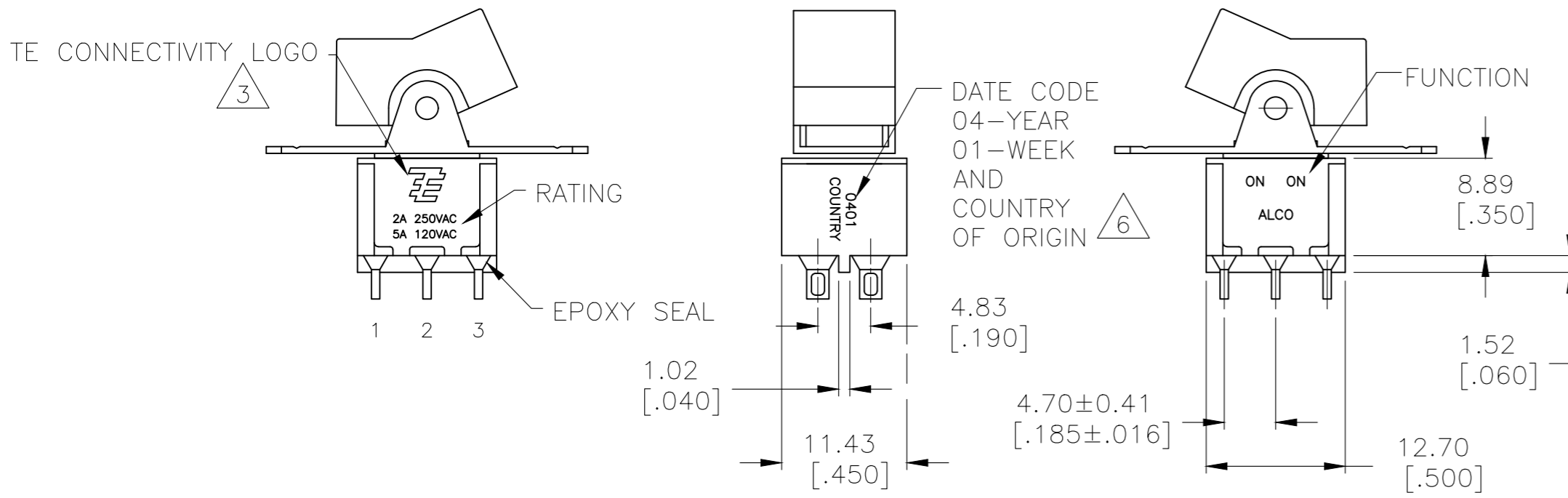


THIS DRAWING IS UNPUBLISHED. RELEASED FOR PUBLICATION
 © COPYRIGHT - By - ALL RIGHTS RESERVED.

| REVISIONS | | | | |
|-----------|-----|---------------------------|-----------|-------|
| P | LTR | DESCRIPTION | DATE | APVD |
| | A8 | REVISED PER ECO-17-001761 | 10MAY2017 | RK AS |



- ALL MATERIALS AND FINISHES SHALL COMPLY WITH EU DIRECTIVE 2002/95/EC OF 27JAN2003 (ROHS).
- G CONTACT OPTION CAN BE USED FOR SIGNAL OR POWER LEVEL SWITCHING. IF SWITCH IS USED AT LEVELS EXCEEDING .4VA @ 20V AC/DC, SWITCH IS RENDERED FOR POWER SWITCHING ONLY DUE TO ARC REMOVAL OF GOLD PLATING. RATING MARKED ON THE SWITCH IS 2A 250VAC, 5A 120VAC.
- TE CONNECTIVITY LOGO PER PER TEC-202-36.
- SP3T FUNCTION ACHIEVED WITH FUNCTIONS 11, 13, & 15 BY CUSTOMER APPLIED JUMPER BETWEEN TERMINALS 3 & 5.
- DATE CODE AND COUNTRY OF ORIGIN MAY APPEAR ON EITHER SIDE OF SWITCH.
- PANEL MOUNT BRACKET SUPPLIED WITH TERMINALS W, Z AND Z3 ONLY.
- ALL LOGO, RATING, DATE CODE, AND FUNCTION MARKINGS TO BE LASER MARKED.

FUNCTION CHART

| FUNCTION | | | |
|--|-------------|-------------|-------------|
| 01 | ON | NONE | ON |
| 03 | ON | OFF | ON |
| 05 | (ON) | OFF | (ON) |
| 07 | ON | OFF | (ON) |
| 08 | ON | NONE | (ON) |
| TERMINALS CONNECTED | 2-3, 5-6 | --- | 1-2, 4-5 |
| 11 | ON | ON | ON |
| 13 | ON | ON | (ON) |
| 15 | (ON) | ON | (ON) |
| TERMINALS CONNECTED | 2-3, 5-6 | 2-3, 4-5 | 1-2, 4-5 |
| SP3T SCHEMATIC (11, 13 & 15 ONLY) NOTE 5 | | | |
| | IN 2, OUT 6 | IN 2, OUT 4 | IN 2, OUT 1 |

NONE: NO MECHANICAL POSITION
 OFF: MECHANICAL POSITION WITH NO ELECTRICAL CONNECTION
 (ON): MOMENTARY ACTION

SPECIFICATIONS

| | |
|---------------------------------|--|
| RATING, B CONTACTS | .4VA MAX @20V MAX. AC OR DC |
| RATING, G CONTACTS-SEE NOTE 2 | .4VA MAX @20V MAX. AC OR DC OR 5A @120 VAC OR 28 VDC (RESISTIVE) |
| | 2A @250 VAC (RESISTIVE) |
| RATING, Q CONTACTS | 5A @120 VAC OR 28 VDC (RESISTIVE) |
| | 2A @250 VAC (RESISTIVE) |
| ELECTRICAL LIFE | 6,000 CYCLES AT RATED LOAD |
| CONTACT RESISTANCE | 10 MILLIOHMS MAX INITIAL @ 2-4VDC, 100MA |
| INSULATION RESISTANCE | 1,000 MEGOHMS MIN |
| DIELECTRIC WITHSTANDING VOLTAGE | 1,000 V RMS AT SEA LEVEL |
| OPERATING TEMPRATURE | -30C TO 85C |

PART NUMBER SEQUENCE

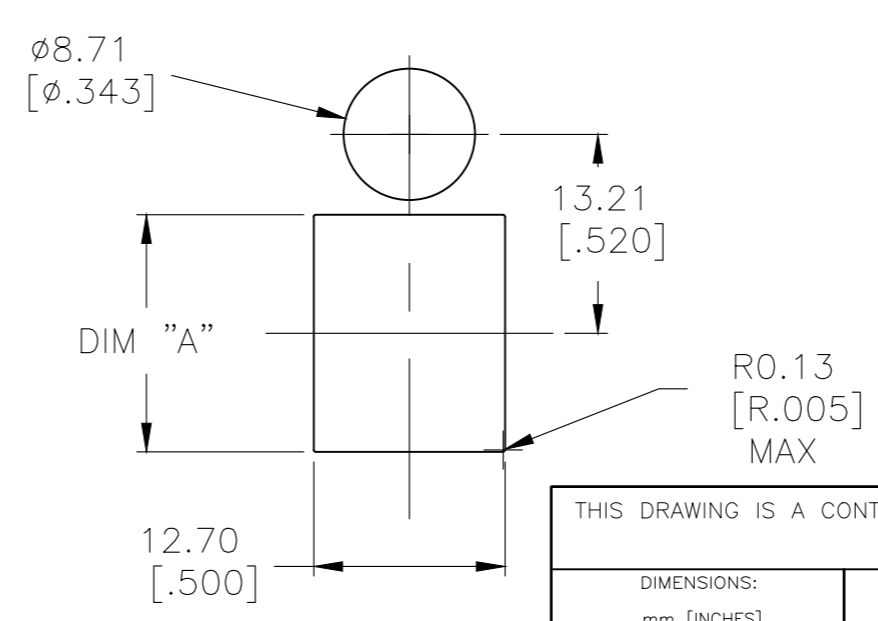
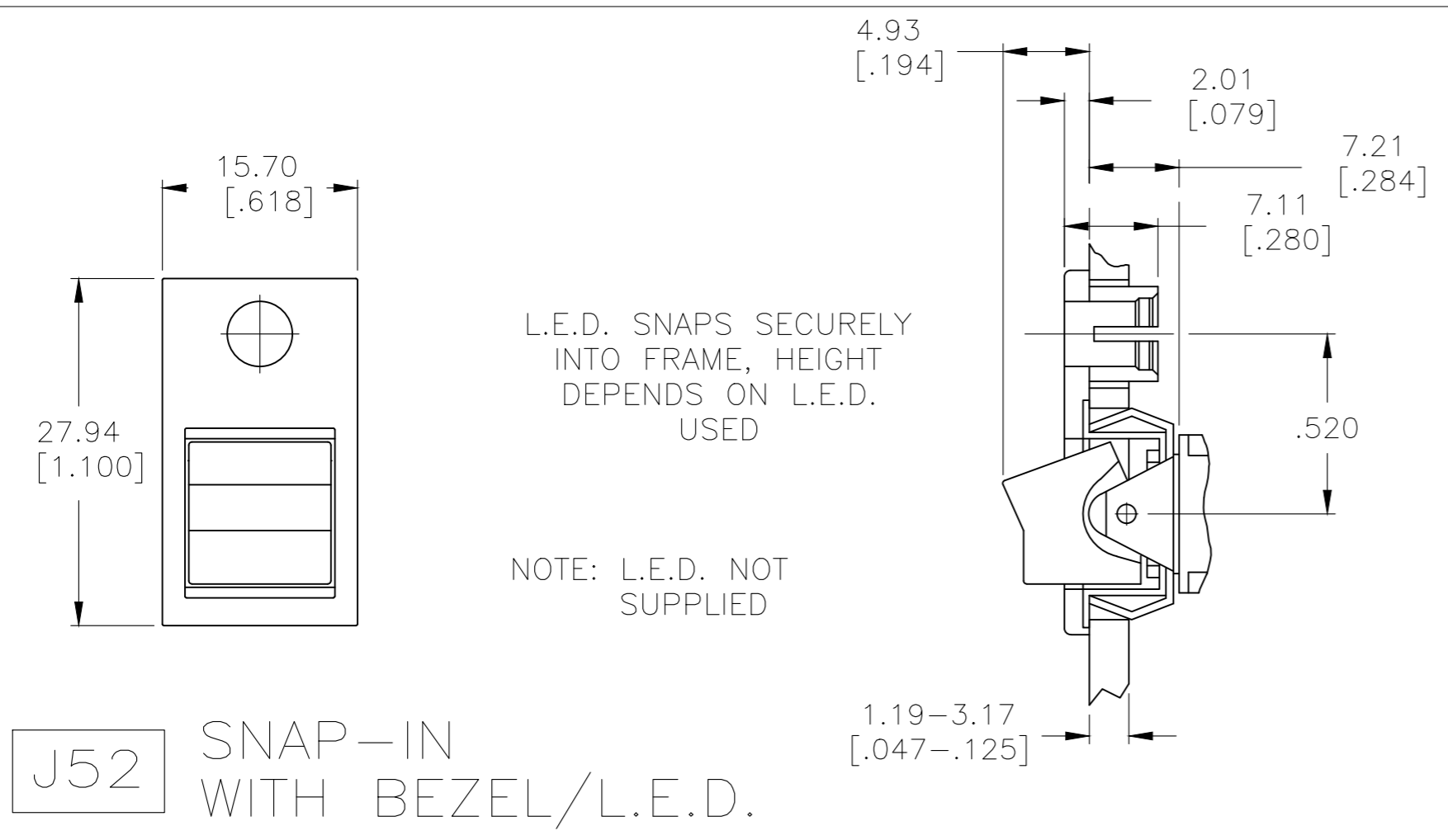
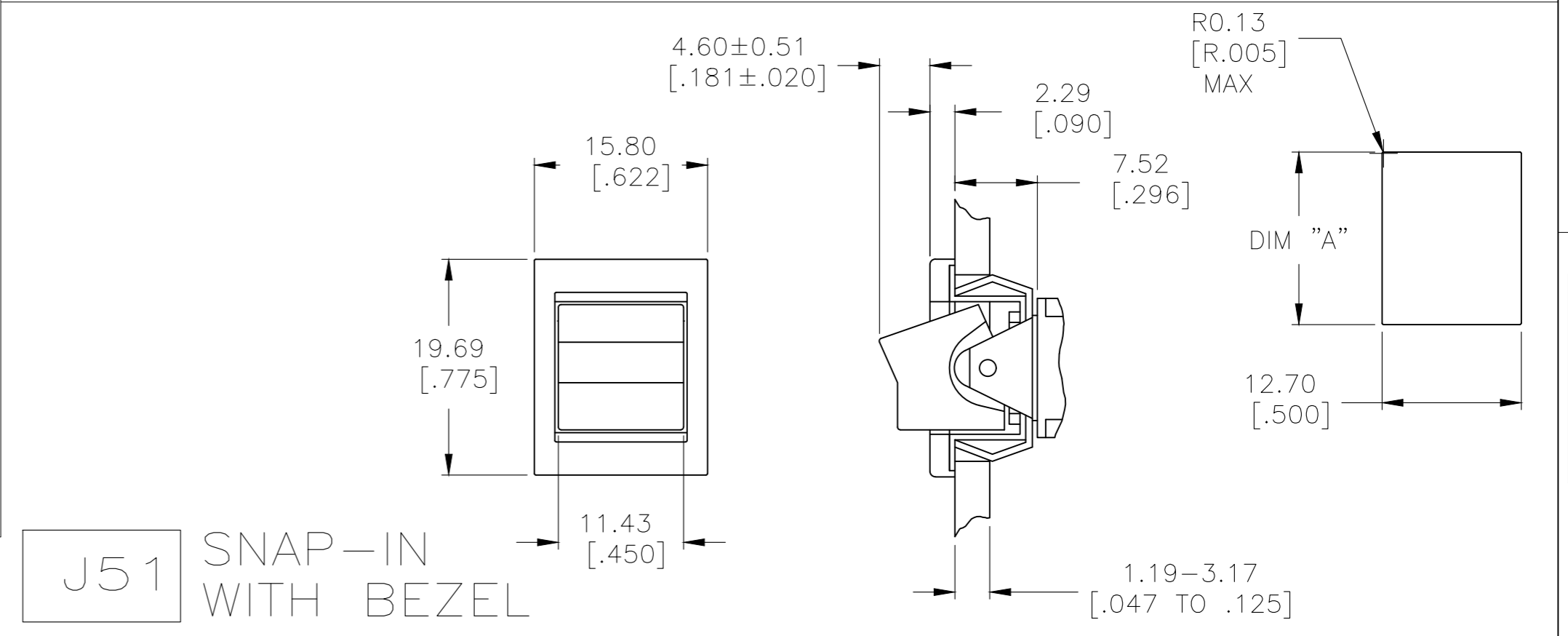
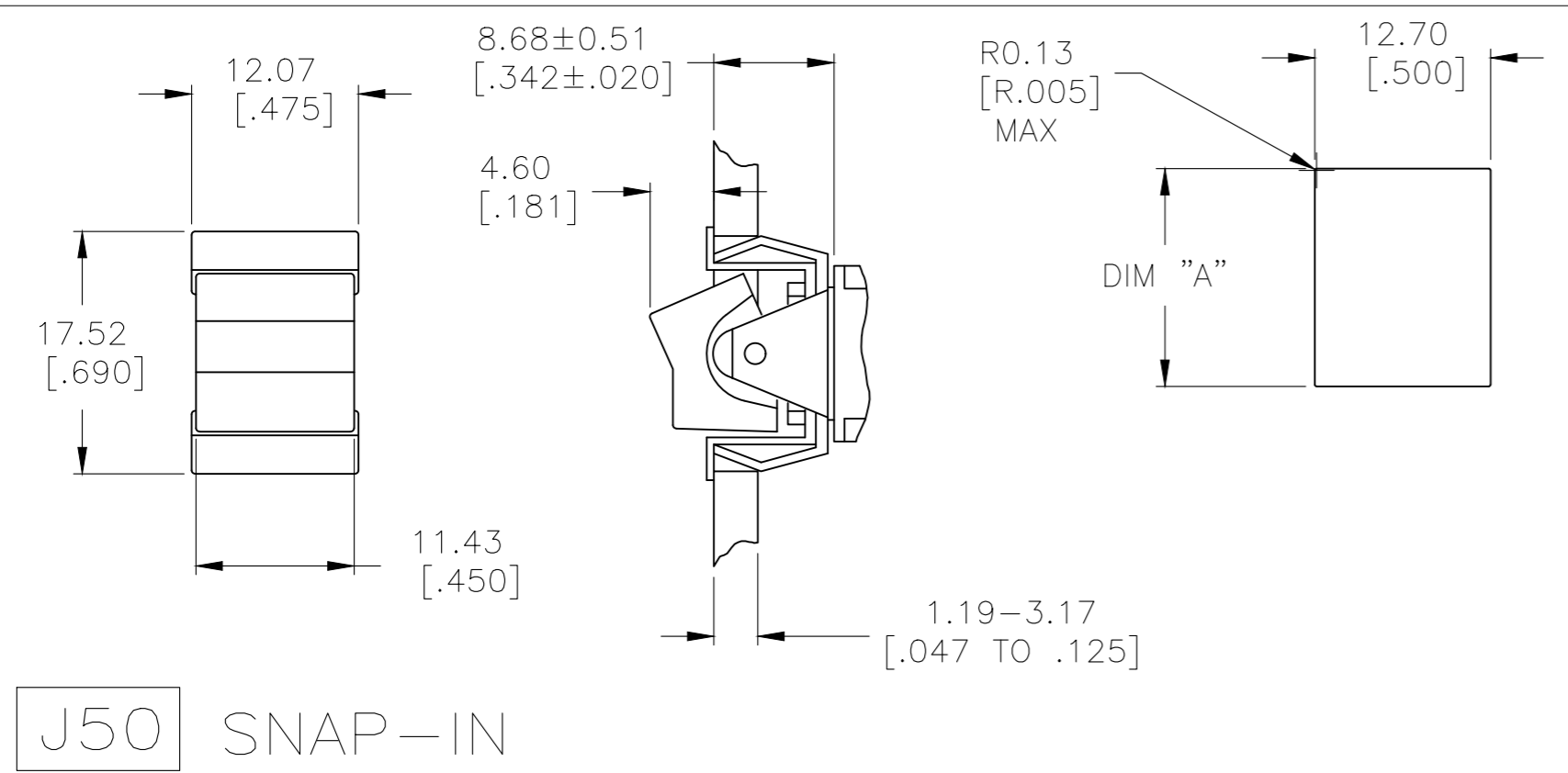
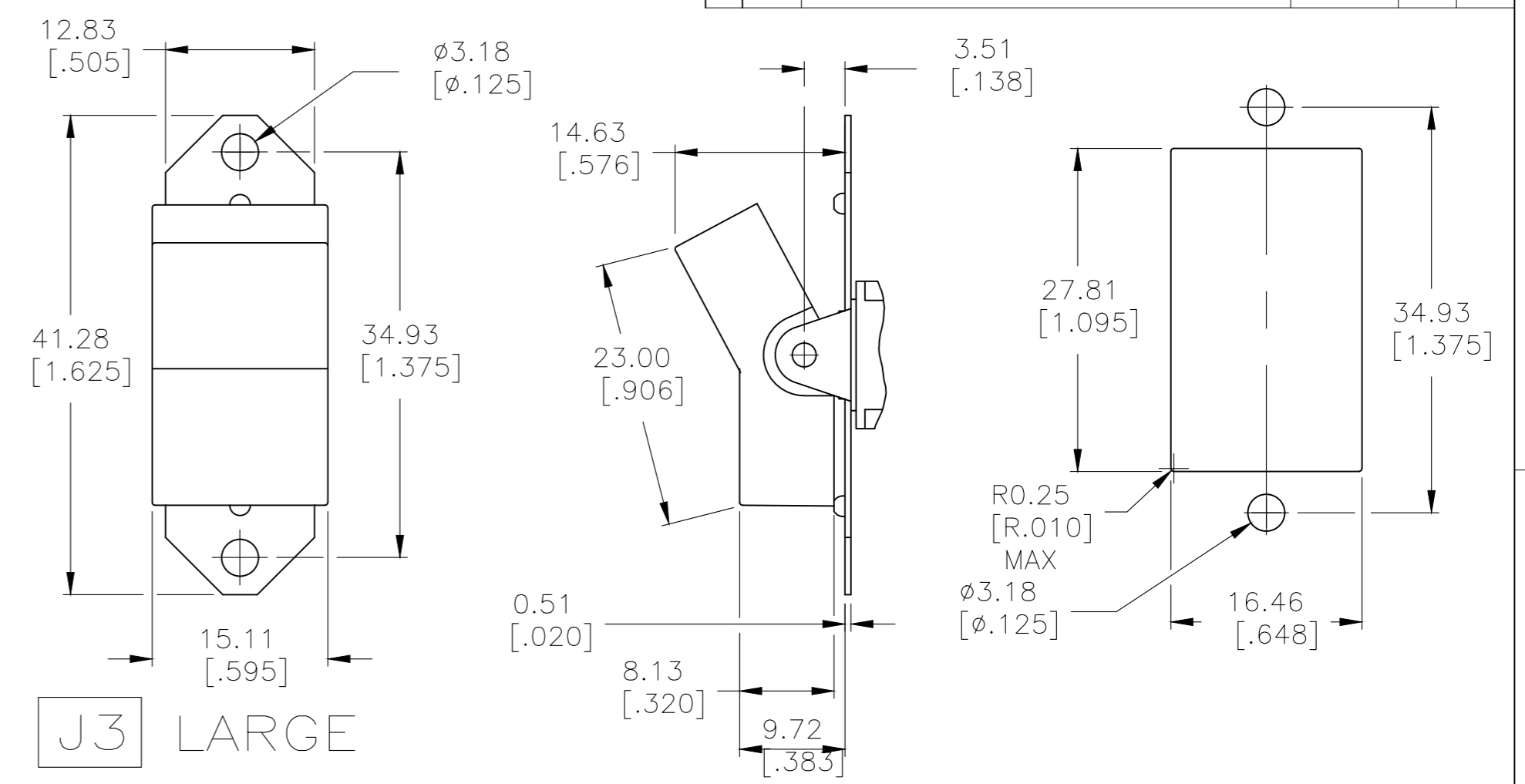
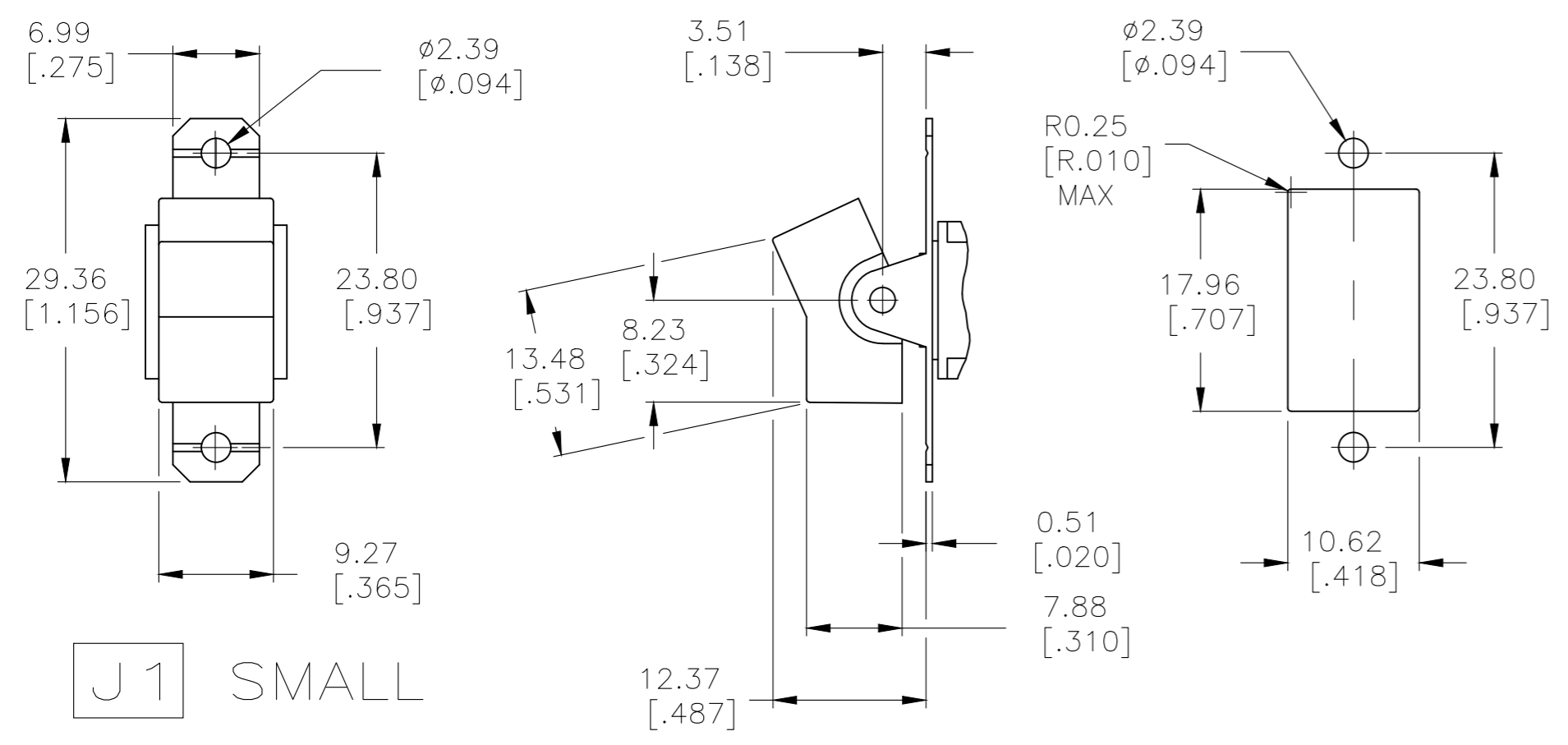
| MODEL | FUNCTION | ACTUATOR | TERMINAL | CONTACT | ACTUATOR COLOR | FRAME COLOR | ROHS |
|-------|----------|----------|----------|---------|----------------|---------------|------|
| A2 | | | | | | | 04 |
| | 01 | J1 | A | B | 0 BLACK (STD) | 0 BLACK (STD) | |
| | 03 | J3 | AV2 | G | 1 BROWN | 1 BROWN | |
| | 05 | J50 | C | Q | 2 RED | 2 RED | |
| | 07 | J51 | V3 | | 3 ORANGE | 3 ORANGE | |
| | 08 | J52 | V4 | | 4 YELLOW | 4 YELLOW | |
| | 11 | J2 | V7 | | 5 GREEN | 5 GREEN | |
| | 13 | J4 | W | | 6 BLUE | 6 BLUE | |
| | 15 | J60 | W4 | | 8 GRAY | 8 GRAY | |
| | | J61 | Z | | 9 WHITE | 9 WHITE | |
| | | J62 | Z3 | | | | |

THIS DRAWING IS A CONTROLLED DOCUMENT.

| | | | |
|-------------------------|--|----------------------|--|
| DIMENSIONS: mm [INCHES] | TOLERANCES UNLESS OTHERWISE SPECIFIED: | DWN M.BINNER 06JAN05 | TE Connectivity NAME GEMINI A SERIES ROCKER SWITCH DOUBLE POLE SIZE A2 CAGE CODE 00779 DRAWING NO C-1571987 RESTRICTED TO SCALE 2:1 SHEET 1 of 5 REV A8 |
| | 0 PLC ± - | CHK M.ZITTO 06JAN05 | |
| | 1 PLC ± - | APVD M.ZITTO 06JAN05 | |
| | 2 PLC ± - | PRODUCT SPEC | |
| | 3 PLC ± .010 | APPLICATION SPEC | |
| | 4 PLC ± - | | |
| | ANGLES ± 4° | | |
| MATERIAL | FINISH | WEIGHT | |
| | | CUSTOMER DRAWING | |

THIS DRAWING IS UNPUBLISHED. RELEASED FOR PUBLICATION
 © COPYRIGHT - By - ALL RIGHTS RESERVED.

| REVISIONS | | | | |
|-----------|-----|-------------|------|------|
| P | LTR | DESCRIPTION | DATE | APVD |
| - | - | SEE SHEET 1 | - | - |

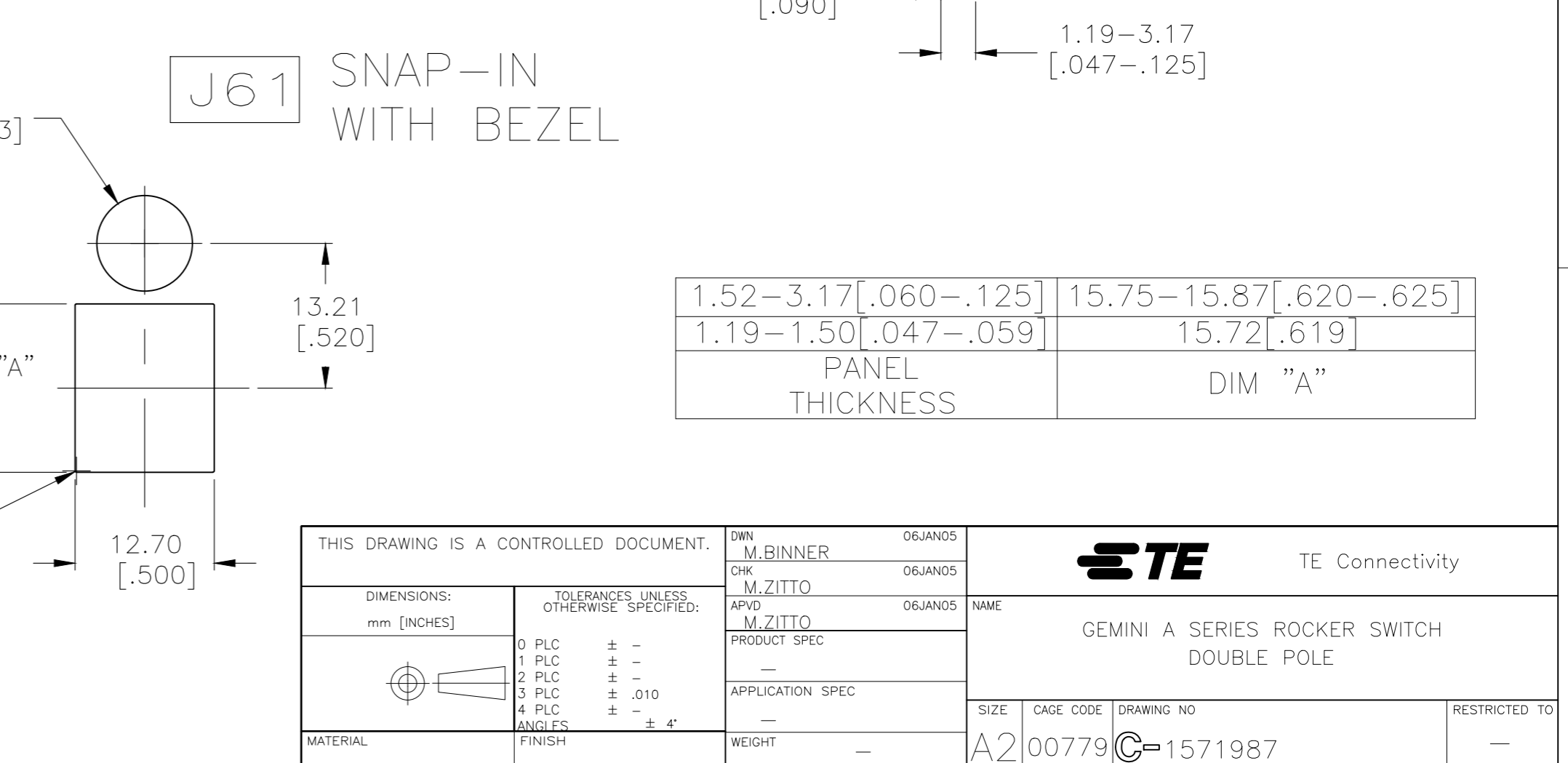
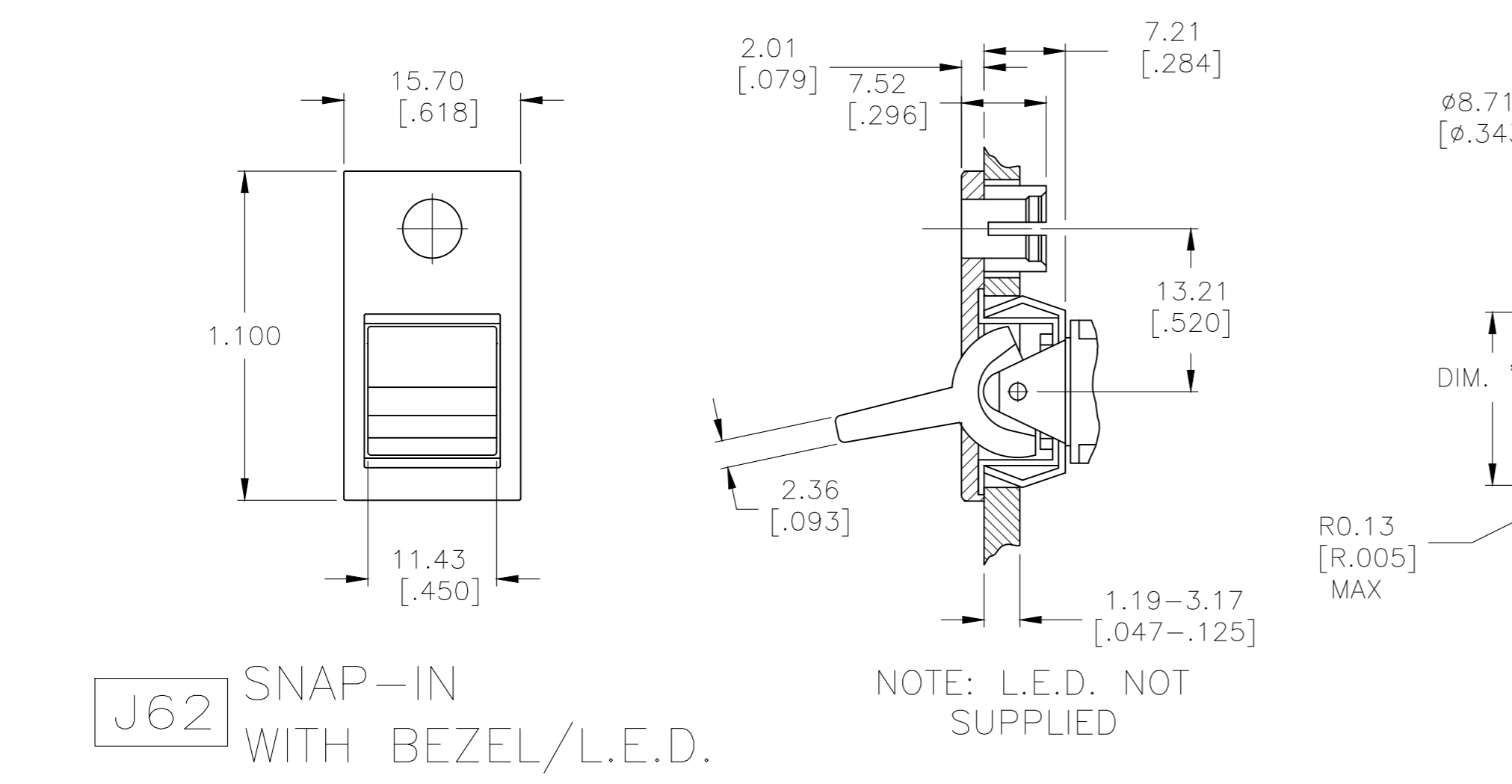
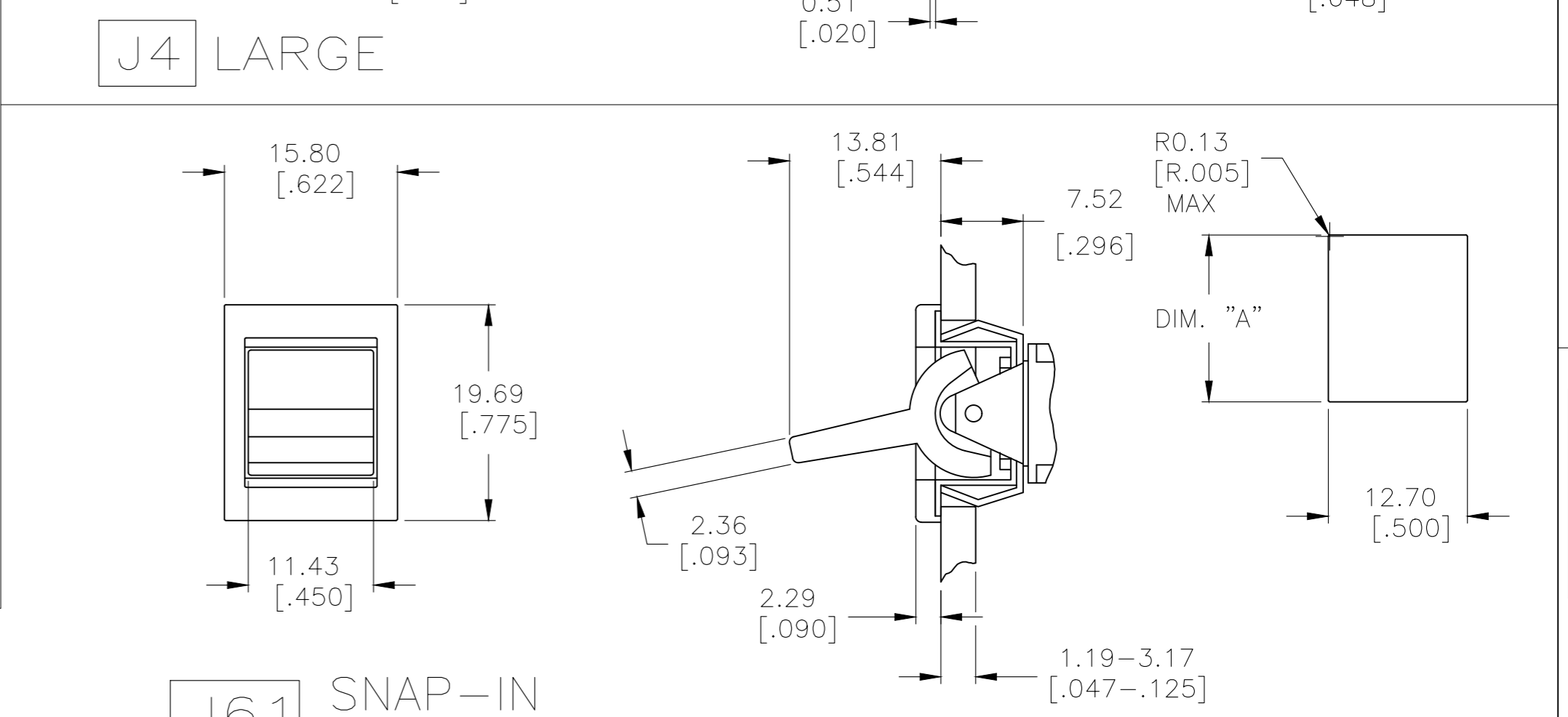
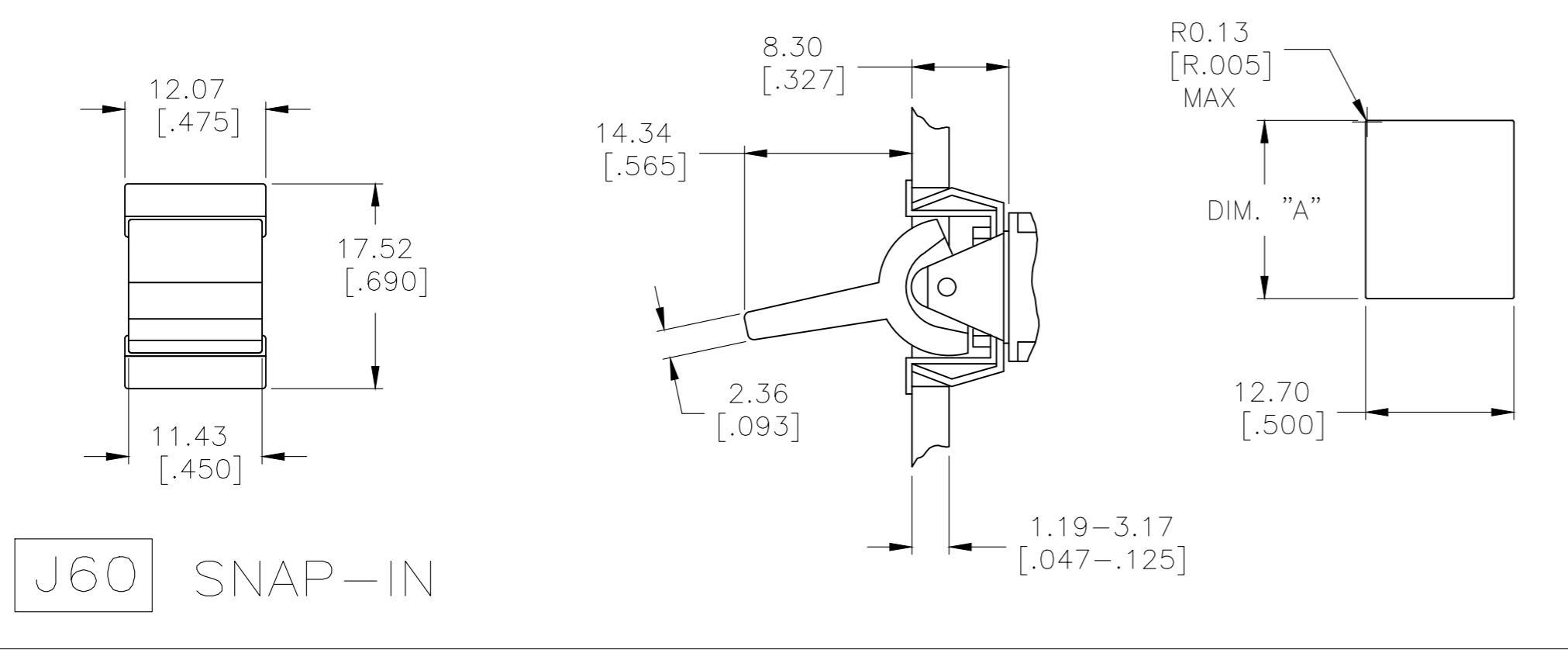
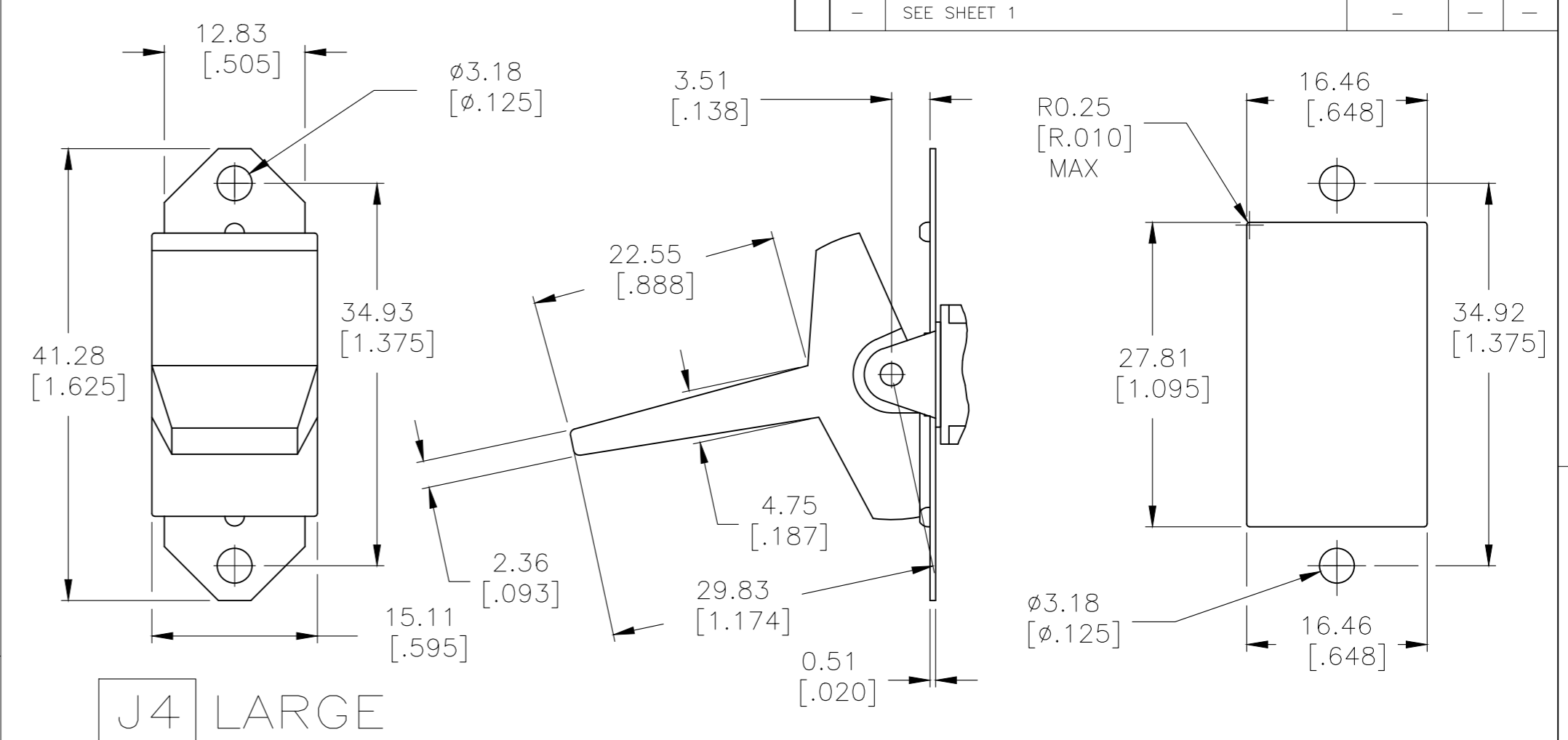
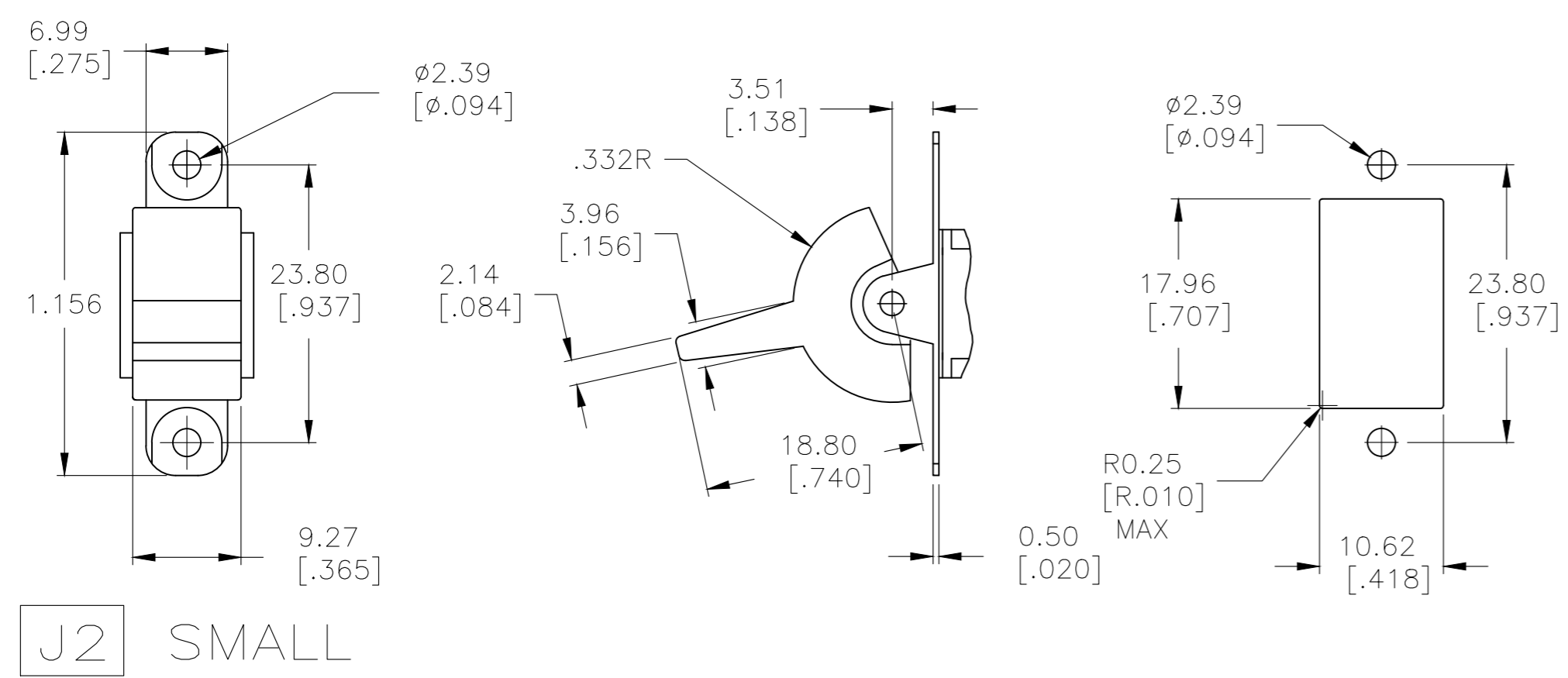


| | |
|-----------------------|-------------------------|
| 1.52-3.17 [.060-.125] | 15.75-15.87 [.620-.625] |
| 1.19-1.50 [.047-.059] | 15.72 [.619] |
| PANEL THICKNESS | DIM "A" |

| | | | |
|--|--|----------------------|--|
| THIS DRAWING IS A CONTROLLED DOCUMENT. | | DWN M.BINNER 06JAN05 | STE TE Connectivity |
| DIMENSIONS: mm [INCHES] | | CHK M.ZITTO 06JAN05 | |
| TOLERANCES UNLESS OTHERWISE SPECIFIED: | | APVD M.ZITTO 06JAN05 | NAME GEMINI A SERIES ROCKER SWITCH DOUBLE POLE |
| 0 PLC ± - | | PRODUCT SPEC - | |
| 1 PLC ± - | | APPLICATION SPEC - | SIZE A2 |
| 2 PLC ± - | | WEIGHT - | CAGE CODE 00779 |
| 3 PLC ± .010 | | CUSTOMER DRAWING | DRAWING NO C-1571987 |
| 4 PLC ± - | | SCALE 2:1 | SHEET 2 of 5 |
| ANGLES ± 4° | | REV A8 | RESTRICTED TO - |
| FINISH - | | | |

THIS DRAWING IS UNPUBLISHED. RELEASED FOR PUBLICATION
 © COPYRIGHT - By - ALL RIGHTS RESERVED.

| REVISIONS | | | | |
|-----------|-----|-------------|------|------|
| P | LTR | DESCRIPTION | DATE | APVD |
| - | - | SEE SHEET 1 | - | - |

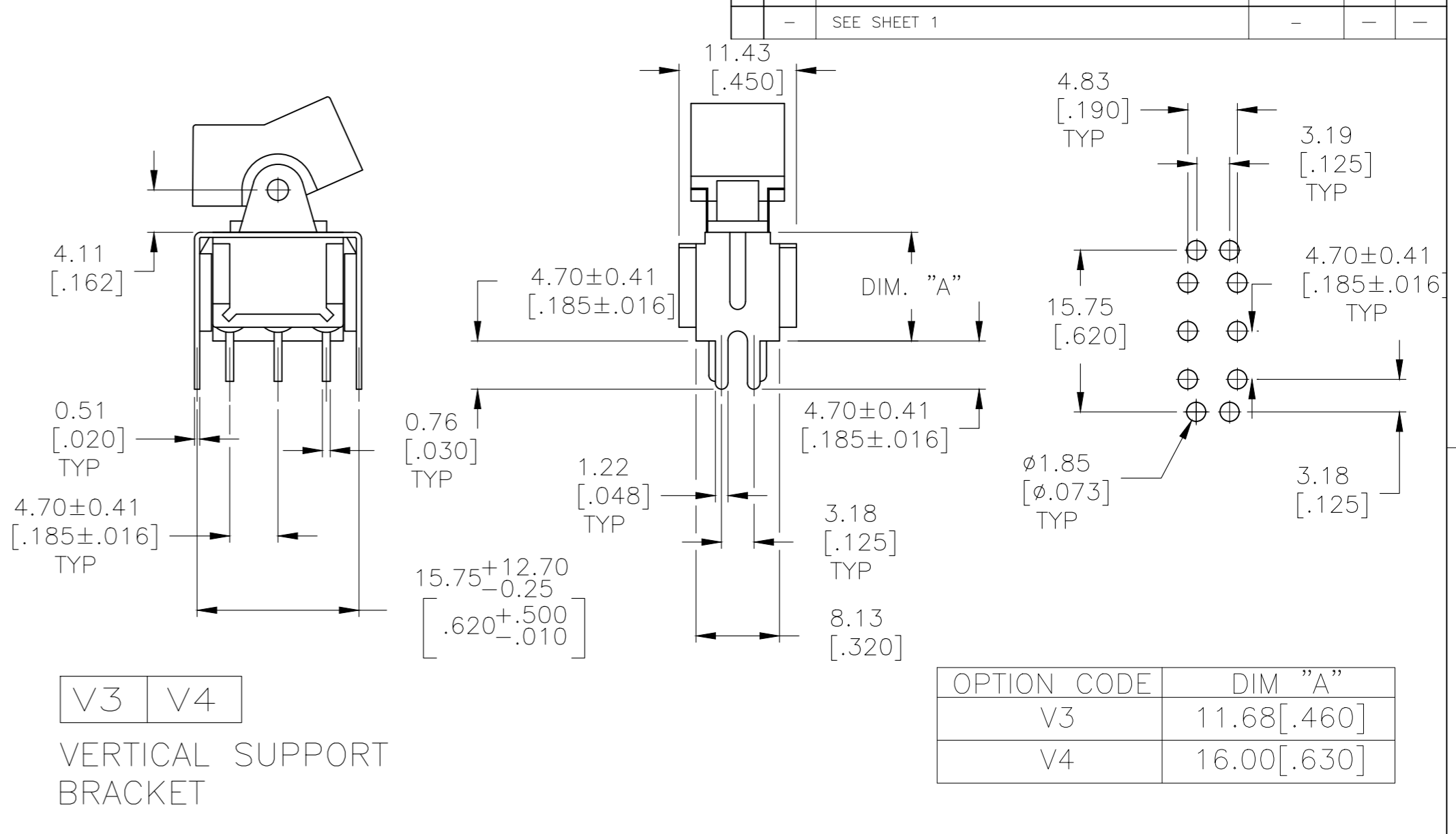
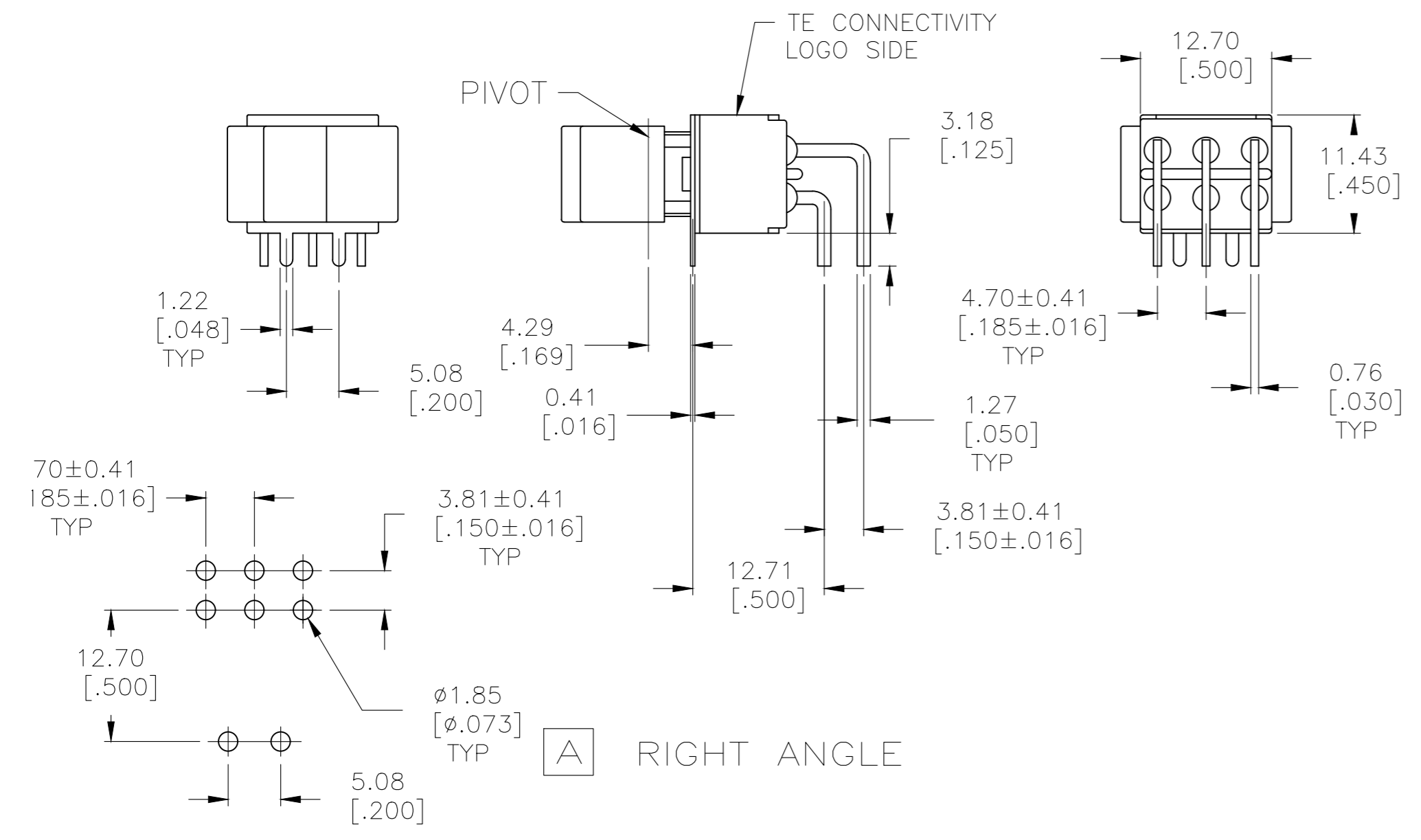


| | |
|-----------------------|-------------------------|
| 1.52-3.17 [.060-.125] | 15.75-15.87 [.620-.625] |
| 1.19-1.50 [.047-.059] | 15.72 [.619] |
| PANEL THICKNESS | DIM "A" |

| | | | | |
|--|--------------|----------------------|--|--|
| THIS DRAWING IS A CONTROLLED DOCUMENT. | | DWN M.BINNER 06JAN05 | STE TE Connectivity | |
| DIMENSIONS: mm [INCHES] | | CHK M.ZITTO 06JAN05 | | |
| TOLERANCES UNLESS OTHERWISE SPECIFIED: | | APVD M.ZITTO 06JAN05 | NAME GEMINI A SERIES ROCKER SWITCH DOUBLE POLE | |
| 0 PLC ± - | 1 PLC ± - | PRODUCT SPEC | SIZE CAGE CODE DRAWING NO RESTRICTED TO | |
| 2 PLC ± - | 3 PLC ± .010 | APPLICATION SPEC | A2 00779 C-1571987 | |
| 4 PLC ± - | ANGLES ± 4° | WEIGHT - | SCALE 2:1 SHEET 3 OF 5 REV A8 | |
| MATERIAL - | FINISH - | CUSTOMER DRAWING | | |

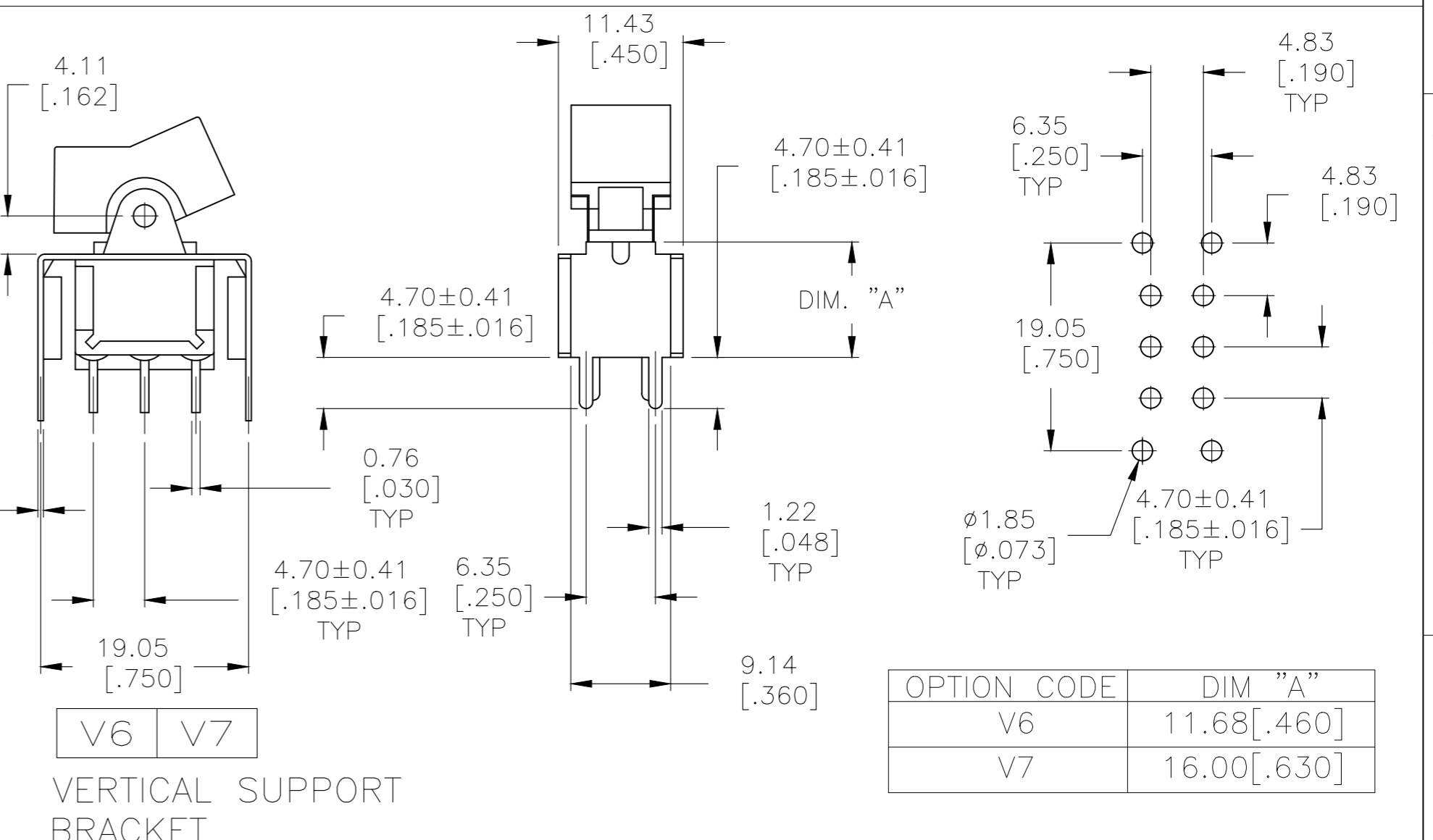
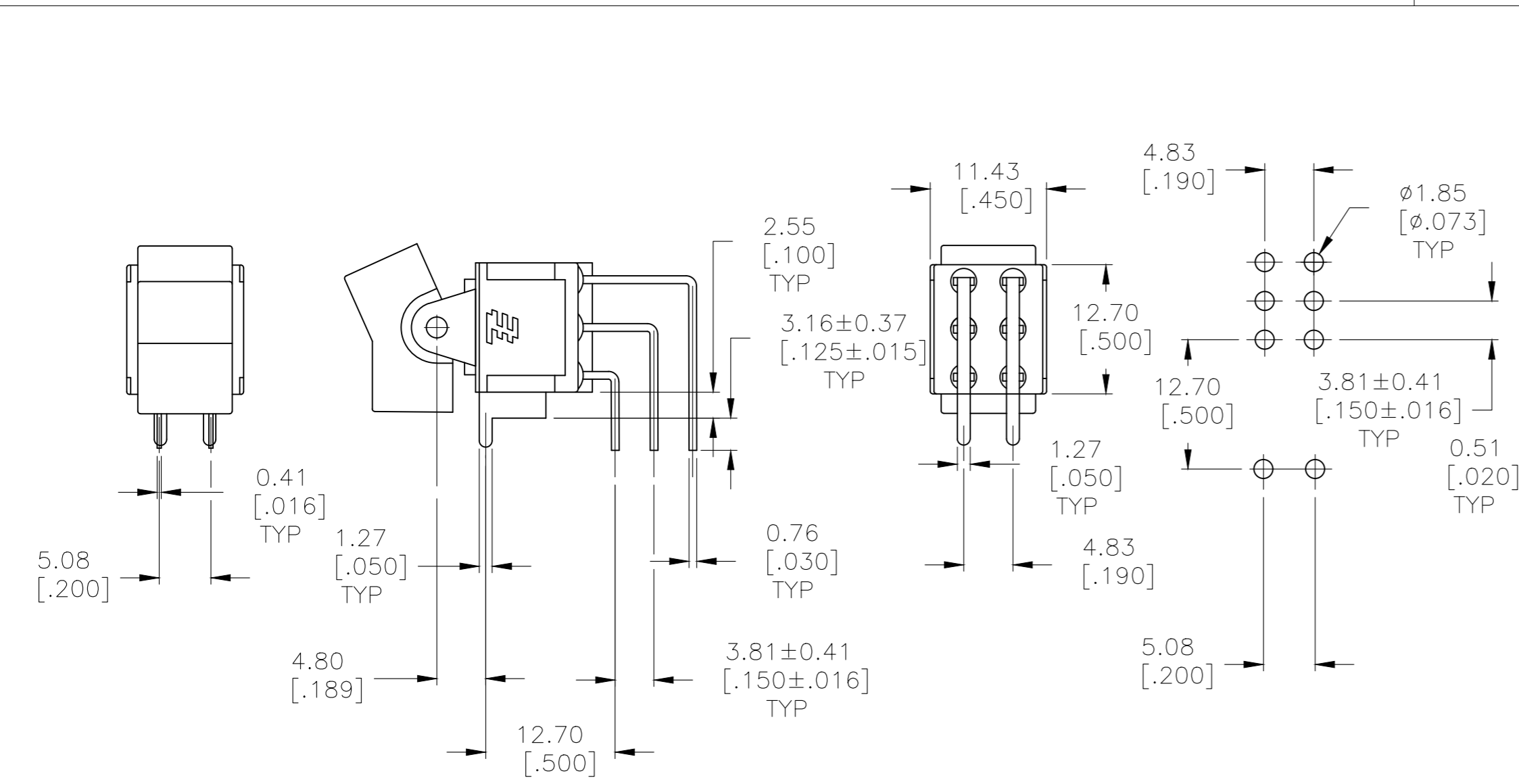
THIS DRAWING IS UNPUBLISHED. RELEASED FOR PUBLICATION
 © COPYRIGHT - By - ALL RIGHTS RESERVED.

| REVISIONS | | | | | |
|-----------|-----|-------------|------|-----|------|
| P | LTR | DESCRIPTION | DATE | DWN | APVD |
| - | - | SEE SHEET 1 | - | - | - |



V3 V4
 VERTICAL SUPPORT BRACKET

| OPTION CODE | DIM "A" |
|-------------|--------------|
| V3 | 11.68 [.460] |
| V4 | 16.00 [.630] |



V6 V7
 VERTICAL SUPPORT BRACKET

| OPTION CODE | DIM "A" |
|-------------|--------------|
| V6 | 11.68 [.460] |
| V7 | 16.00 [.630] |

AV2 VERTICAL RIGHT ANGLE

THIS DRAWING IS A CONTROLLED DOCUMENT.

| | | |
|------------------|----------|---------|
| DWN | M.BINNER | 06JAN05 |
| CHK | M.ZITTO | 06JAN05 |
| APVD | M.ZITTO | 06JAN05 |
| PRODUCT SPEC | | |
| APPLICATION SPEC | | |
| WEIGHT | - | |

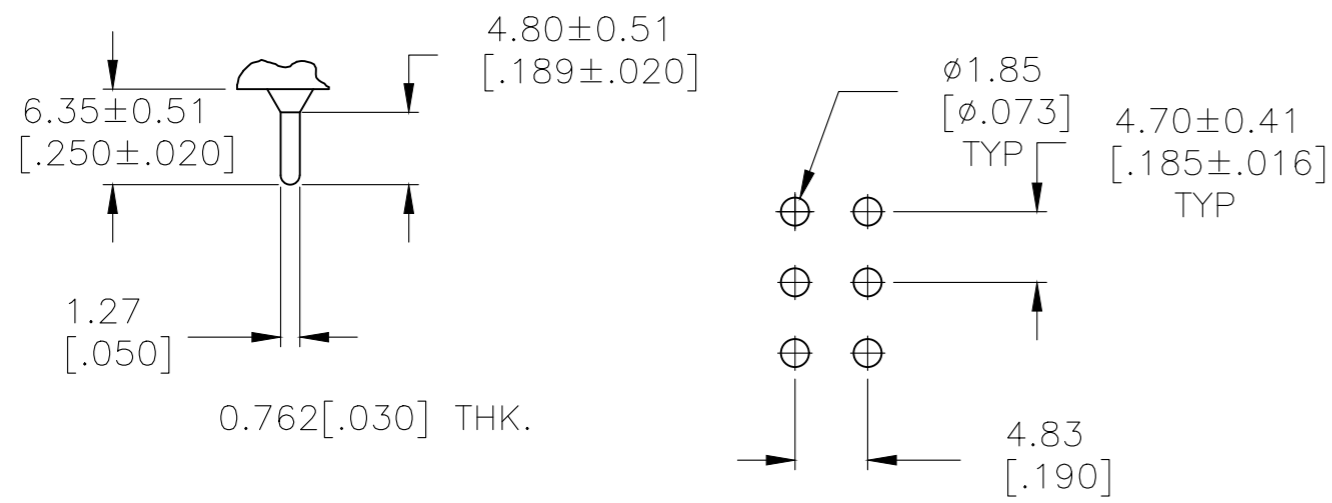
TE Connectivity

GEMINI A SERIES ROCKER SWITCH
 DOUBLE POLE

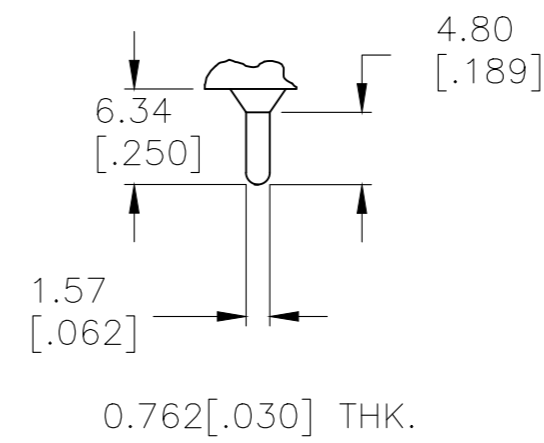
| | | | | | | | | |
|------------------|----|-----------|-------|------------|---------|---------------|-----|----|
| SIZE | A2 | CAGE CODE | 00779 | DRAWING NO | 1571987 | RESTRICTED TO | - | |
| CUSTOMER DRAWING | | | SCALE | 2:1 | SHEET | 4 of 5 | REV | A8 |

THIS DRAWING IS UNPUBLISHED. RELEASED FOR PUBLICATION
 © COPYRIGHT - By - ALL RIGHTS RESERVED.

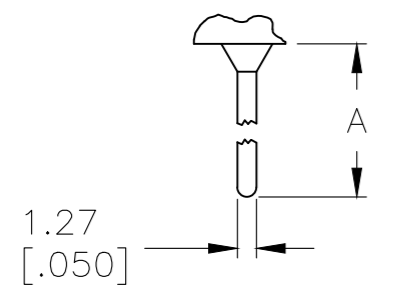
| REVISIONS | | | | |
|-----------|-----|-------------|------|------|
| P | LTR | DESCRIPTION | DATE | APVD |
| - | - | SEE SHEET 1 | - | - |



C PRINTED CIRCUIT



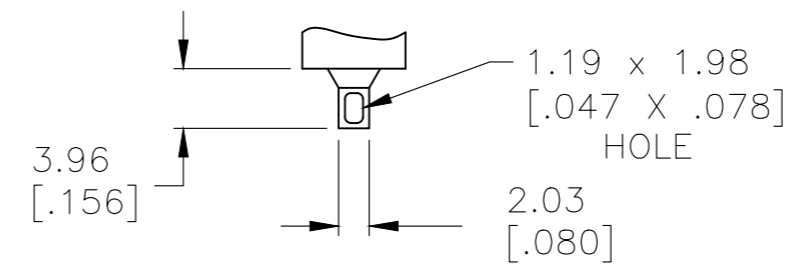
Z3 QUICK CONNECT



| OPTION | DIM A |
|--------|--------------|
| W | 18.69[.736] |
| W4 | 26.97[1.062] |

0.762[.030] THK.

W **W4** WIRE WRAP



0.762[.030] THK.

Z WIRE LUG

MATERIALS CHART

| COMPONENT NAME | BASE MATERIAL | FINISH |
|--------------------------|---------------------------|------------------|
| CASE | DAP, RED, UL94 V-0 | |
| FRAME | STAINLESS STEEL | |
| B TERMINALS & CONTACTS | COPPER | GOLD OVER NICKEL |
| G TERMINALS & CONTACTS | COPPER | GOLD OVER SILVER |
| Q TERMINALS & CONTACTS | COPPER | SILVER |
| ACTUATOR | PHENOLIC, BLACK, UL94 V-1 | |
| ROCKER CAP | NYLON, BLACK, UL94 V-1 | |
| BUSHING & ACTUATOR LEVER | ZINC ALLOY | NICKEL |
| SPRING | MUSIC WIRE | |
| SUPPORT BRACKET | BRASS | TIN |
| PIVOT PIN | STEEL | NICKEL |
| TERMINAL SEAL | EPOXY, UL94 V-1 | |

| | | |
|----------|-----------------|-------------|
| OBSOLETE | A213J61ZQ0004 | 4-1571987-4 |
| | A211J51ZQ0004 | 4-1571987-3 |
| | A208J61ZQ0004 | 4-1571987-2 |
| OBSOLETE | A208J51ZQ0004 | 4-1571987-1 |
| OBSOLETE | A208J1V3Q0004 | 4-1571987-0 |
| OBSOLETE | NOT ASSIGNED | 3-1571987-9 |
| | A207J61ZQ0004 | 3-1571987-8 |
| | A207J51ZQ0004 | 3-1571987-7 |
| OBSOLETE | A207J3ZQ0004 | 3-1571987-6 |
| OBSOLETE | A207J1ZQ0004 | 3-1571987-5 |
| | A205J61ZQ0004 | 3-1571987-4 |
| | A205J51ZQ0004 | 3-1571987-3 |
| OBSOLETE | A205J2ZQ0004 | 3-1571987-2 |
| | A205J2CQ0004 | 3-1571987-1 |
| | A205J1ZQ0004 | 3-1571987-0 |
| | A205J1AV2Q0004 | 2-1571987-9 |
| OBSOLETE | NOT ASSIGNED | 2-1571987-8 |
| | A203J61ZQ0004 | 2-1571987-7 |
| | A203J51ZQ0004 | 2-1571987-6 |
| OBSOLETE | NOT ASSIGNED | 2-1571987-5 |
| OBSOLETE | A203J1ZQ0004 | 2-1571987-4 |
| OBSOLETE | NOT ASSIGNED | 2-1571987-3 |
| | A203J1CQ204 | 2-1571987-2 |
| OBSOLETE | A203J1AV2Q0004 | 2-1571987-1 |
| | A203J1AQ0004 | 2-1571987-0 |
| | A201J61ZQ0004 | 1-1571987-9 |
| OBSOLETE | A201J61Z3Q0004 | 1-1571987-8 |
| OBSOLETE | A201J51ZQ9904 | 1-1571987-7 |
| OBSOLETE | NOT ASSIGNED | 1-1571987-6 |
| | A201J51ZQ0004 | 1-1571987-5 |
| OBSOLETE | A201J50ZQ0004 | 1-1571987-4 |
| OBSOLETE | A201J50AV2Q804 | 1-1571987-3 |
| OBSOLETE | A201J50AV2Q0004 | 1-1571987-2 |
| | A201J3ZQ0004 | 1-1571987-1 |
| | A201J3ZB0004 | 1-1571987-0 |
| OBSOLETE | A201J2ZQ0004 | 1571987-9 |
| | A201J2CQ0004 | 1571987-8 |
| | A201J1ZQ0004 | 1571987-7 |
| OBSOLETE | A201J1V3Q0004 | 1571987-6 |
| | A201J1CQ0004 | 1571987-5 |
| | A201J1AV2Q0004 | 1571987-4 |
| | A201J1AQ204 | 1571987-3 |
| | A201J1AQ0004 | 1571987-2 |
| OBSOLETE | A211J61Z3Q0004 | 1571987-1 |
| | ALCO P/N | P/N |

THIS DRAWING IS A CONTROLLED DOCUMENT.

| | | |
|------|----------|---------|
| DWN | M.BINNER | 06JAN05 |
| CHK | M.ZITTO | 06JAN05 |
| APVD | M.ZITTO | 06JAN05 |

TE Connectivity

GEMINI A SERIES ROCKER SWITCH
DOUBLE POLE

| | | | |
|------|-----------|------------|---------------|
| SIZE | CAGE CODE | DRAWING NO | RESTRICTED TO |
| A2 | 00779 | 1571987 | - |

CUSTOMER DRAWING SCALE 2:1 SHEET 5 OF 5 REV A8