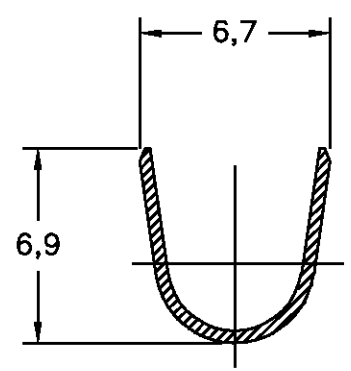
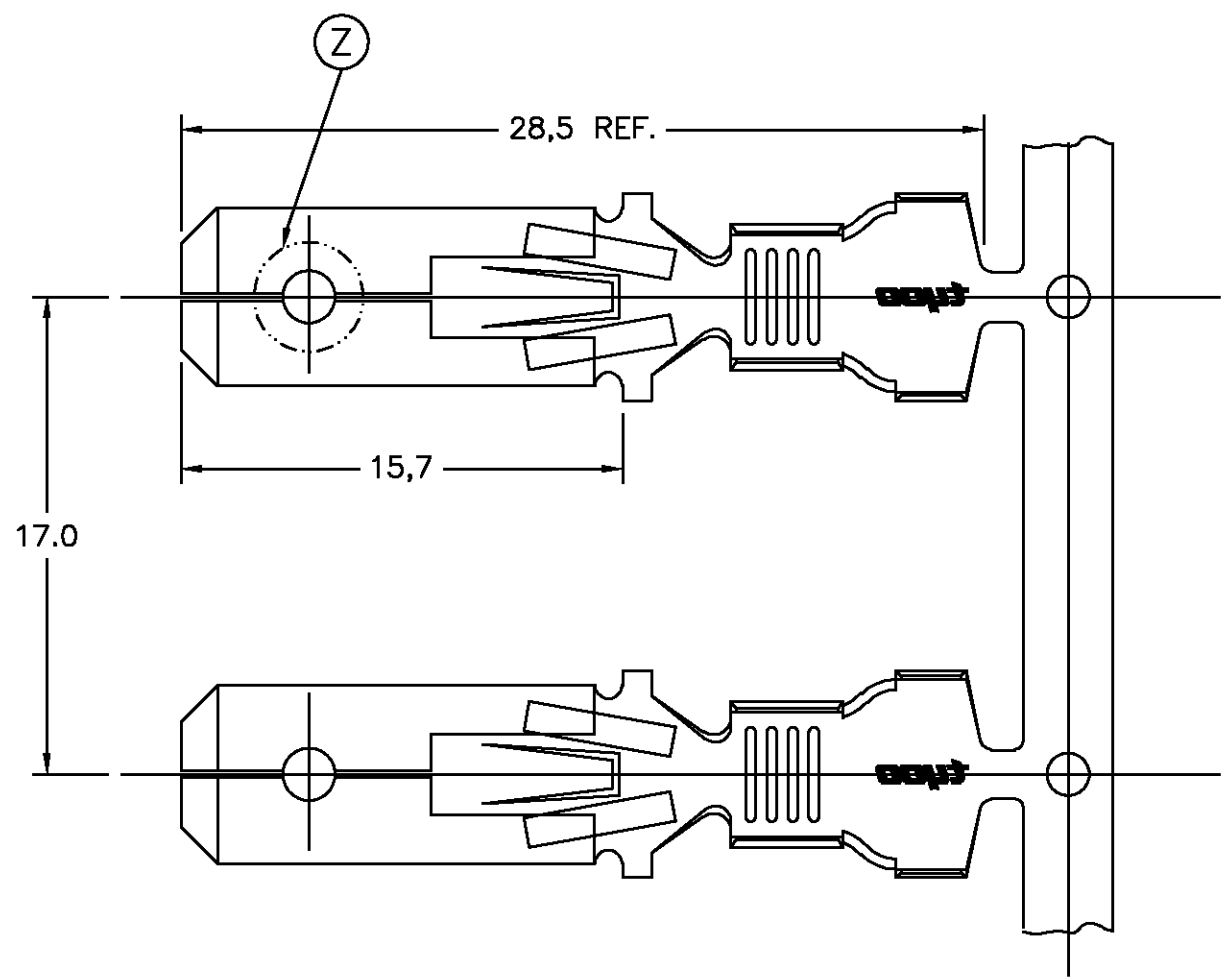
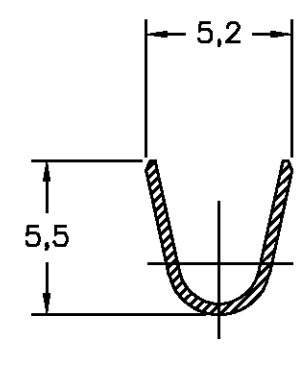


THIS DRAWING IS UNPUBLISHED. RELEASED FOR PUBLICATION
 © COPYRIGHT - BY TYCO ELECTRONICS CORPORATION. ALL RIGHTS RESERVED.

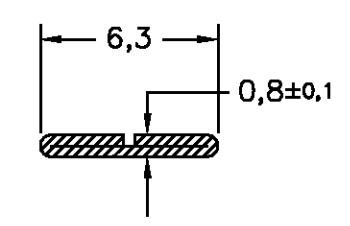
LOC	DIST	REVISIONS			
P	LTR	DESCRIPTION	DATE	DWN	APVD
AP	-	A	RELEASED	12JUN2008	RKTL DAO



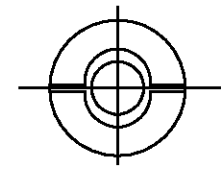
SECÇÃO B-B
SECTION



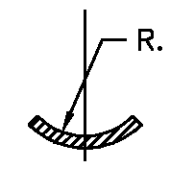
SECÇÃO A-A
SECTION



SECÇÃO C-C
SECTION

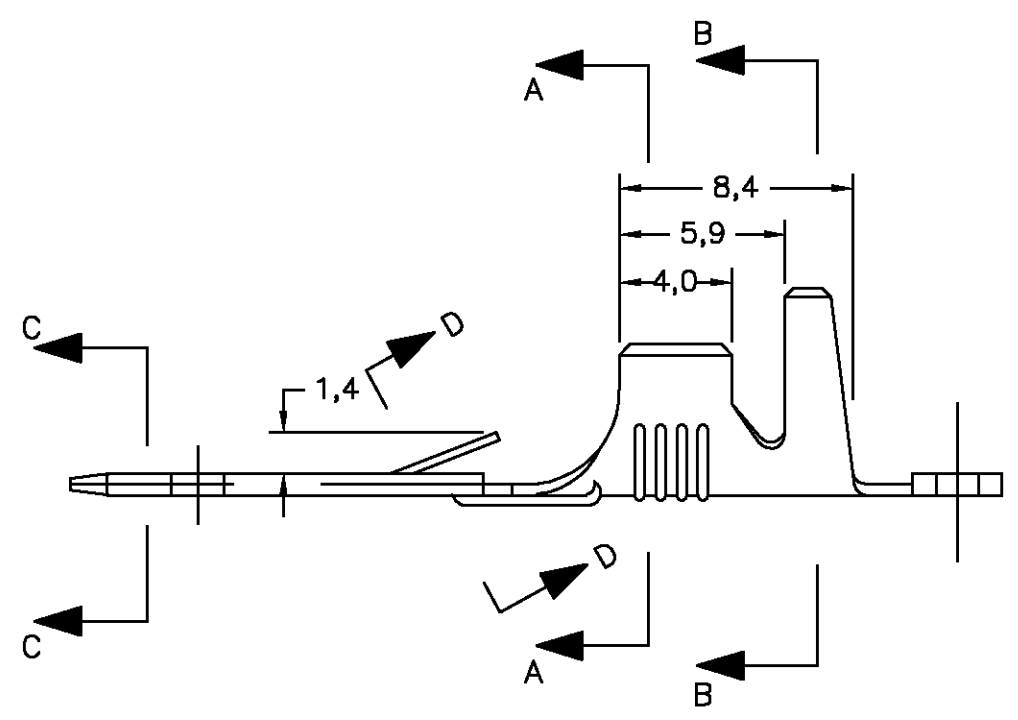


DETALHE Z
DETAIL



SECÇÃO D-D
SECTION

CONSTRUÇÃO OPCIONAL
OPTIONAL CONSTRUCTION



OTHER TRETMENT	FINISH	MATERIAL	PART NUMBER
---	ESTANHADO/TINNED	LATÃO/BRASS 100-86 082	1599052-2
---	ESTANHADO/TINNED	BRONZE FOSF./PHOSF BRONZE	1599052-1

THIS DRAWING IS A CONTROLLED DOCUMENT.		DWN R.K.S.T. LEME 11JUN2008	Tyco Electronics Corporation Sao Paulo, Brasil	
DIMENSIONS: mm		CHK E.LOPES 12JUN2008	NAME .250 SERIES FASTIN-ON TAB	
TOLERANCES UNLESS OTHERWISE SPECIFIED:		APVD D.A. OLIVEIRA 12JUN2008	PRODUCT SPEC 108-37015	
0 PLC ± -		APPLICATION SPEC		
1 PLC ± 0,3		SIZE	CAGE CODE	DRAWING NO
2 PLC ± -		A3 00779		©=1599052
3 PLC ± -		RESTRICTED TO		
4 PLC ± -		-		
ANGLES ± 1'		SCALE 1:1		
FINISH		SHEET 1 OF 1		
MATERIAL SEE TABLE		REV A		
WIRE RANGE 4,0-6,0 mm2		CUSTOMER DRAWING		
INS. RANGE 3,2-4,3 mm		SCALE 1:1		