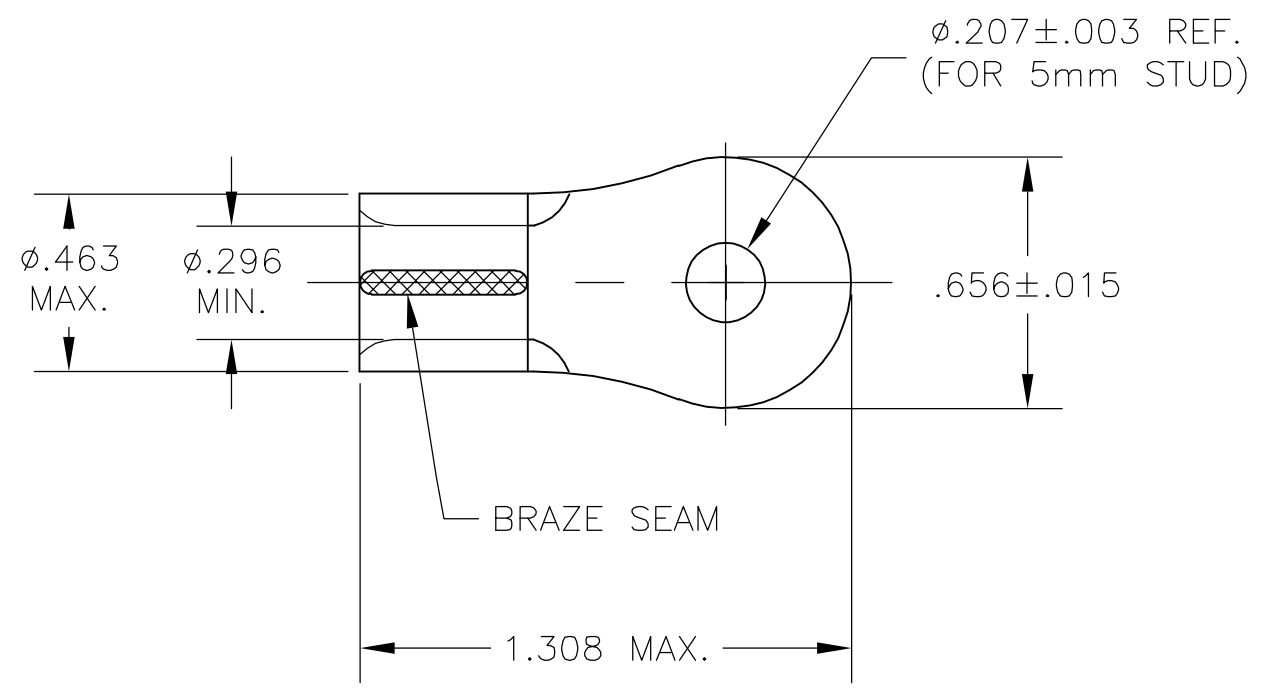


THIS DRAWING IS UNPUBLISHED. RELEASED FOR PUBLICATION
 © COPYRIGHT - BY TYCO ELECTRONICS CORPORATION. ALL RIGHTS RESERVED.

LOC	DIST	REVISIONS					
G	86	P	LTR	DESCRIPTION	DATE	DWN	APVD
			A	DRAWN	10MAR06	JR	TM

- 1 WIRE SIZE IS #4 AWG
- 2 TONGUE THICKNESS IS .070±.003



160119
 PART NO.

THIS DRAWING IS A CONTROLLED DOCUMENT.		DWN JR RUTH 10MAR06	Tyco Electronics Corporation Harrisburg, PA 17105-3608		
DIMENSIONS: INCHES		CHK T. MICHIELUTTI 10MAR06			
		APVD T. MICHIELUTTI 10MAR06	NAME TERMINAL, RING TONGUE, SOLISTRAND		
TOLERANCES UNLESS OTHERWISE SPECIFIED:		PRODUCT SPEC	RESTRICTED TO		
0 PLC ± - 1 PLC ± - 2 PLC ± - 3 PLC ± .008 4 PLC ± - ANGLES ± -		APPLICATION SPEC	SIZE A3	CAGE CODE 00779	DRAWING NO C-160119
MATERIAL COPPER, ANNEALED		FINISH TIN PLATE	WEIGHT -	SCALE 2:1	SHEET 1 OF 1
CUSTOMER DRAWING			REV A		