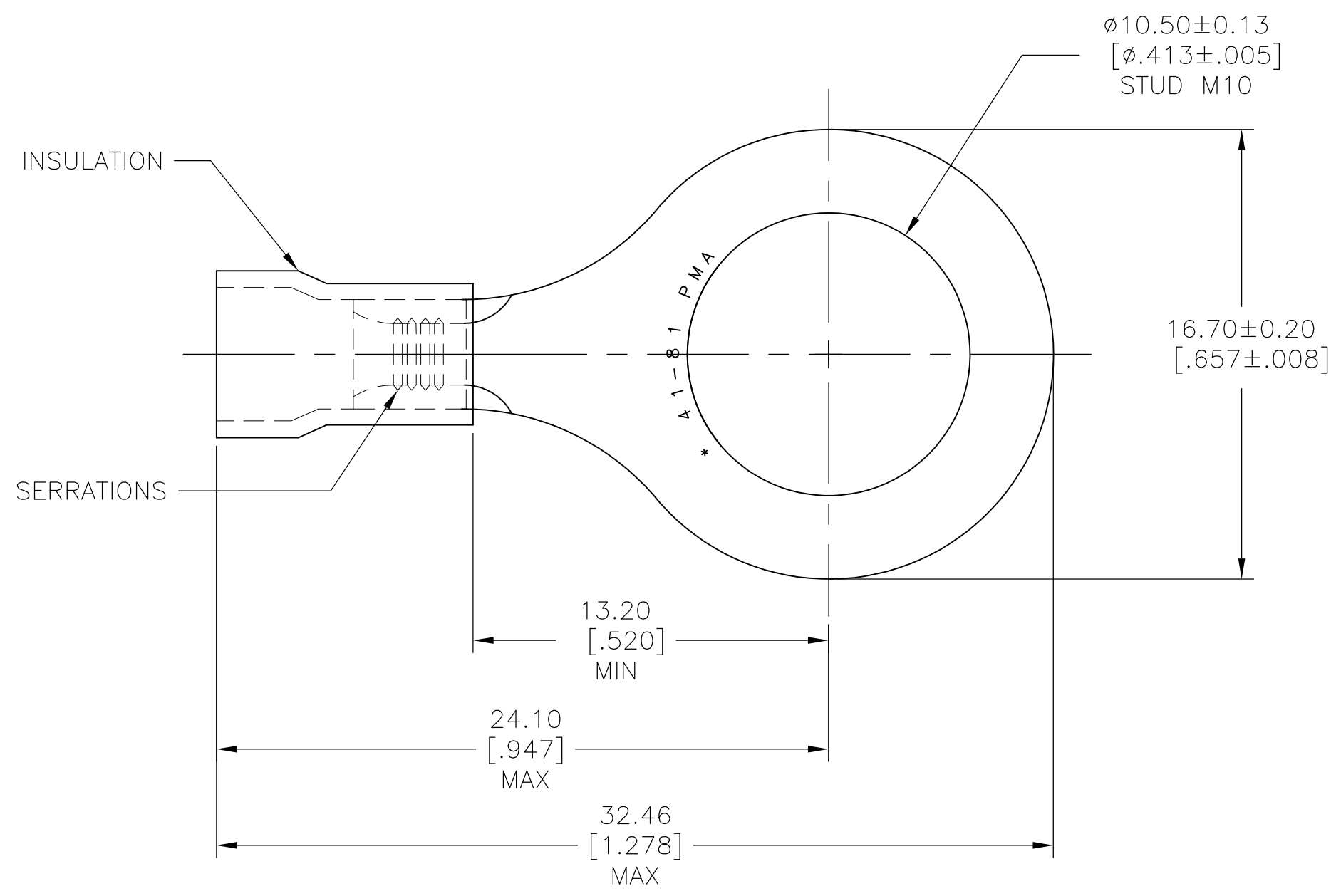


THIS DRAWING IS UNPUBLISHED. RELEASED FOR PUBLICATION
 © COPYRIGHT - By - ALL RIGHTS RESERVED.

LOC	DIST	REVISIONS					
		P	LTR	DESCRIPTION	DATE	DWN	APVD
			B3	REVISED PER ECO-14-016628	04NOV2014	NK	DR



- 1 COPPER PER ASTM B152
INSULATION: PVC, BLUE.
- 2 TIN PLATED PER ASTM B545.
- 3 FOR 3.00[.118] TO 4.90[.193]
MAX INSULATION DIAMETER.

500	LOOSE PIECE	160136
QTY	PACKAGE TYPE	PART NO

THIS DRAWING IS A CONTROLLED DOCUMENT.		DWN KIRAN HOLAL 06FEB12	STE TE Connectivity	
DIMENSIONS: mm [INCHES]		CHK ROHDE DANIEL 06FEB12		
TOLERANCES UNLESS OTHERWISE SPECIFIED:		APVD ROHDE DANIEL 06FEB12	NAME TERMINAL, RING TONGUE PLASTI-GRIP WIRE SIZE:16-14 AWG	
0 PLC ± -		PRODUCT SPEC	SIZE	
1 PLC ± -		APPLICATION SPEC	CAGE CODE	
2 PLC ± -		—	DRAWING NO	
3 PLC ± -		—	RESTRICTED TO	
4 PLC ± -		—	A3 00779 C-160136	
ANGLES ± -		WEIGHT	SCALE	
FINISH		—	5:1	
MATERIAL		CUSTOMER DRAWING		SHEET
1		SCALE 5:1		1 OF 1
2		SHEET 1 OF 1		REV B3