

4

3

2

1

THIS DRAWING IS UNPUBLISHED.

RELEASED FOR PUBLICATION

NOV ,2005.

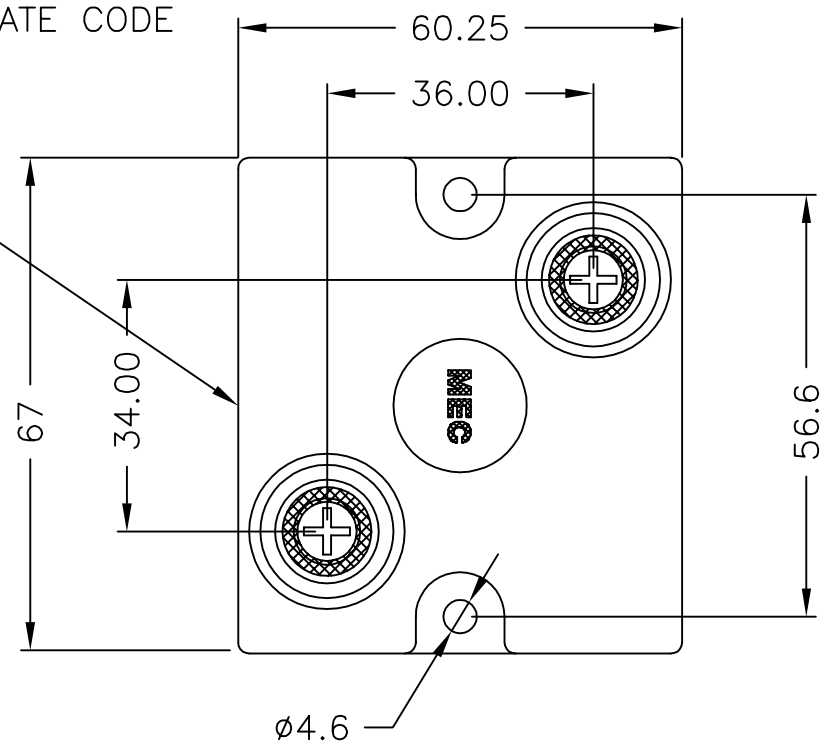
© COPYRIGHT 2005 BY TYCO ELECTRONICS CORPORATION. ALL RIGHTS RESERVED.

LOC E DIST B

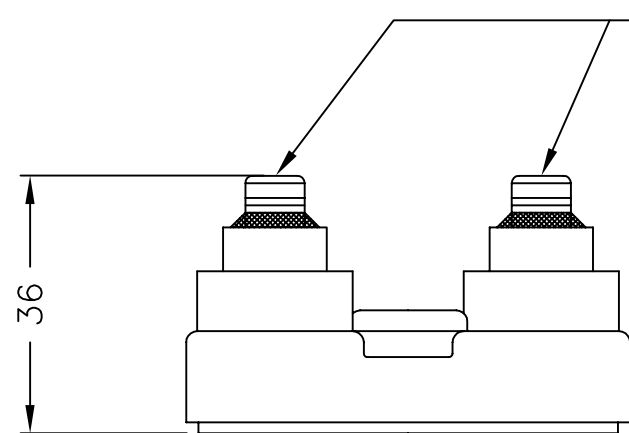
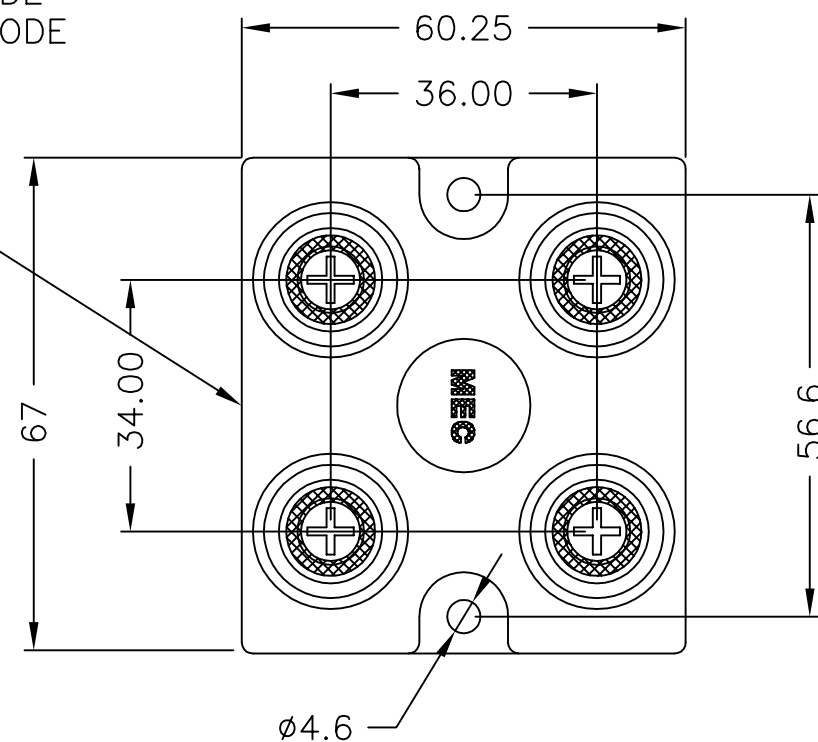
REVISIONS

P	LTR	DESCRIPTION	DATE	DWN	APVD
A		FIRST REVISION	04NOV05	DK	JC

CODE
TYCO PRODUCT CODE
VALUE, TOL, DATE CODE

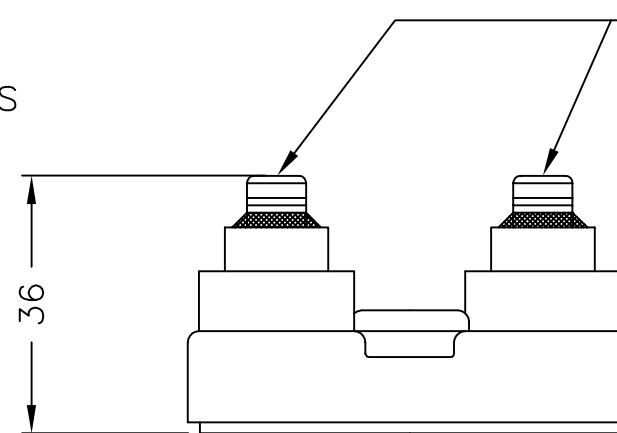


CODE
TYCO PRODUCT CODE
VALUE, TOL, DATE CODE



- 2 OFF M4 SCREWS
- 2 OFF M4 PLAIN WASHERS
- 2 OFF M4 SHAKEPROOF WASHERS

BDS2A250



- 4 OFF M4 SCREWS
- 4 OFF M4 PLAIN WASHERS
- 4 OFF M4 SHAKEPROOF WASHERS

BDS4B250

FOR A SPECIFIC PN FOR A RESISTANCE VALUE AND TOLERANCE, PLEASE REFER TO DMF.

THIS DRAWING IS A CONTROLLED DOCUMENT.		DWN DAVE KENNEDY 03NOV05	 Tyco Electronics Corporation Dorcan, Swindon, SN3 5HH	
DIMENSIONS: MM		CHK J CATCHPOLE 04NOV05	NAME BDS2A250 & BDS4B250	
TOLERANCES UNLESS OTHERWISE SPECIFIED:		APVD J CATCHPOLE 04NOV05	PRODUCT SPEC -	
0 PLC ± 0.5 1 PLC ± 0.2 2 PLC ± 0.1 3 PLC ± - 4 PLC ± - ANGLES ± 5		APPLICATION SPEC -	SIZE A3	CAGE CODE 00779
MATERIAL -	FINISH -	WEIGHT -	DRAWING NO C=1614770	RESTRICTED TO -
CUSTOMER DRAWING			SCALE NTS	SHEET 1 OF 1
			REV A	