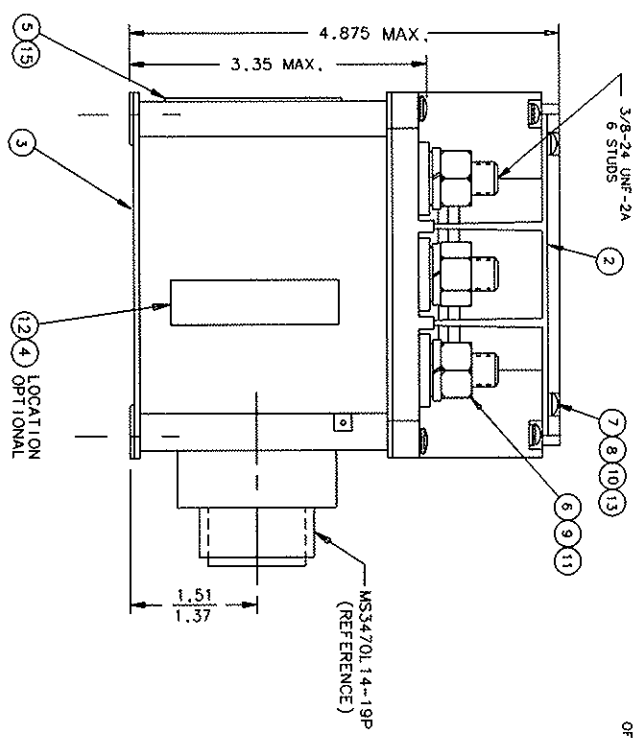
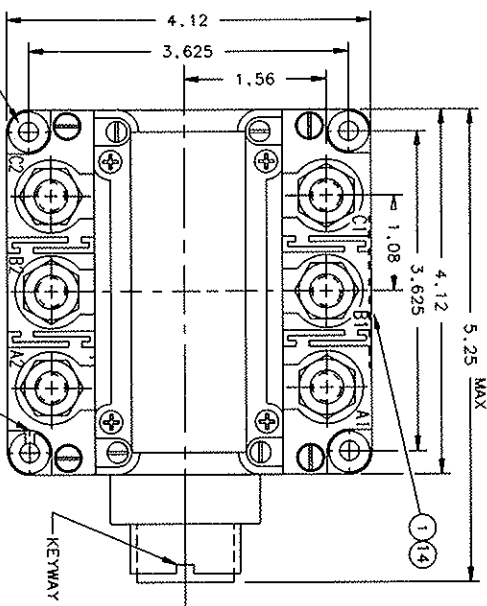


FAA/PMA

B-429CA REV. 1



CONSTRUCTION
 MAIN CONTACTS
 CONFIGURATION
 VOLTAGE
 CURRENT RES.
 IND. RUPTURE

* AUXILIARY CONTACTS
 CONFIGURATION
 VOLTAGE
 CURRENT RES.
 IND. RUPTURE

COIL DATA
 DUTY CYCLE
 OPERATING VOLTAGE
 NOMINAL
 PICKUP MAX.
 DROPOUT
 INRUSH
 HOLD

ENVIRONMENTAL DATA
 OPERATING TEMP.
 ALTITUDE
 LIFE ELECTRICAL
 LIFE MECHANICAL
 WEIGHT MAX. (EST)
 OPERATE TIMES AT 28 VDC AT 25°C

- NOTES:**
1. TERMINAL COVER ITEM NO. 2 REMOVED FROM TOP VIEW.
 2. ITEMS NO. 1 & 5 LOCATION OPTIONAL.
 3. MOUNTING SURFACE SHALL PROVIDE ELECTRICAL GROUND.
 4. THIS UNIT MEETS THE APPLICABLE PORTIONS OF MIL-R 6106

GASKET SEALED (VENTED)

3PST N.O. (DOUBLE BREAK)
 120/208 VOLTS FREQ. 400 HZ
 350 AMP 115/200 VAC CONTINUOUS
 125 AMP
 3500 AMP

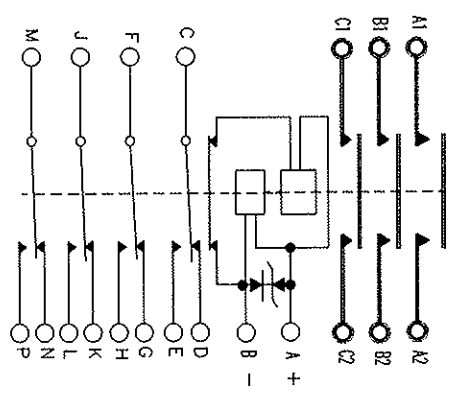
4 SPDT
 28 VDC, 115 VAC 400 HZ
 VOLTAGE, SEE NOTE 6
 5 AMP
 3 AMP
 2 AMP

CONTINUOUS (POWER DOWN)

28 VDC
 18 VDC
 1-7 VDC
 2.7 AMP
 .56 AMP

-55°C MIN. + 85°C MAX.
 45,000 FT.
 50,000 CYCLES MIN.
 100,000 CYCLES MIN.
 4 LBS.

REV	DESCRIPTION	DATE	APPROVED
D 24767	ADD ITEMS 14 & 15 ITEM 4 WAS 39529-001* ITEM 6 WAS *90407-143* ITEM 9 WAS 51704-024* ITEM 11 WAS *51807-084*	93/09/21	WS
E 29044	1.51/1.37 WAS 1.43	95/10/25	RS
F 35177	NOTE 6 WAS *RES .1 AMP AT 5V*	98/03/27	RS



ITEM NO.	QTY	PART OR IDENTIFYING NO.	DESCRIPTION	FOCUS SPECIFICATION	DRAWING OR MATERIAL OR NOTE
15	1	39529-002	OVERLAY		
14	1	39529-001	OVERLAY		MYLAR
13	4	51701-180	WASHER 3/16 X .103 X .015		
12	1	58400-117	PLATE-FAA/PMA		
11	6	51807-084	WASHER LOCK .575 .687 .094 S.P		BRASS
10	4	51804-021	WASHER LOCK NO. 4 INT.		BRONZE
9	6	51704-024	WASHER 5/8 X 25/64 X .062 FLAT		BRASS
8	4	51701-291	WASHER .250 .113 .015 FLAT		STEEL
7	4	51204-391	SCREW 4-40 X 1/4 BD. HD.		STEEL
6	6	50407-164	NUI-3/8-24 X 5/8 X 7/32 HEX		BRASS
5	1	40820-002	PLATE-WIRING DIAGRAM		
4	1	39529-024	OVERLAY		
3	1	36813-040	CONTACTOR ASSEMBLY-PRIMARY		
2	2	35744-001	COVER-TERMINAL		
1	1	16043-001	PLATE-NAME		

UNLESS OTHERWISE SPECIFIED DIMENSIONS ARE IN INCHES TOLERANCES ARE:

2 PL. DEC. 3 PL. DEC. ANGLES ± .06 ± .010 ± 1°

MATERIAL

REF: DOUGLAS MD-111

HARTMAN ELECTRICAL MANUFACTURING MANSFIELD, OHIO

CONTACTOR-3PST N.O.

350 AMP 120/208V 400 HZ

SIZE CODE IDENT DWG NO. C 74063 B-429CA

SCALE NONE SHEET