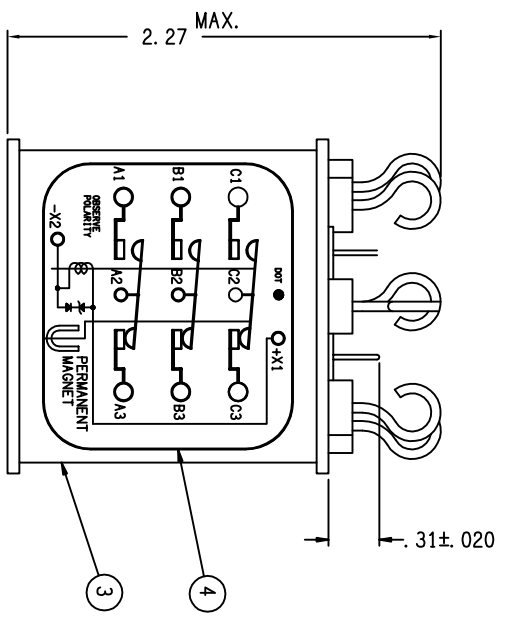
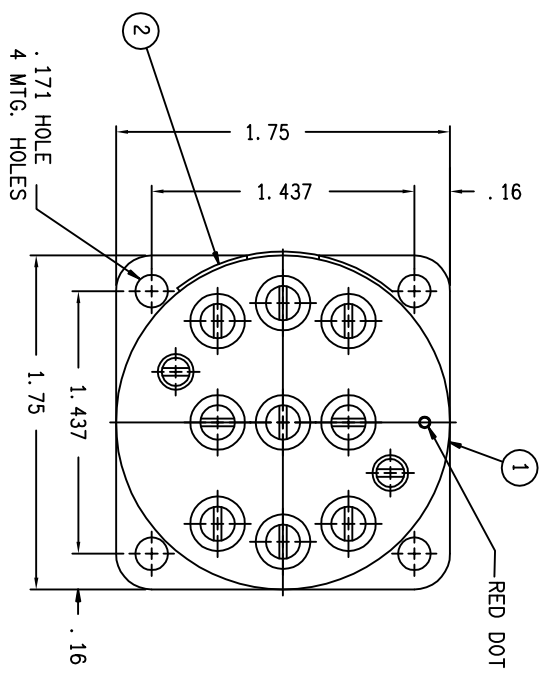


REVISIONS		RELEASED	DATE	APPROVED
REV.	DESCRIPTION			
E	22635 REDRAWN, ADDED NOTE 3.		93/01/27	WS
F	32627 FIND NOS 5 & 6 ADDED		97/04/14	RS
G	11-022347 REMOVED ITEMS 5 & 6		11/09/25	CB
H	12-020166 ADDED NOTE 4		12/11/15	MM



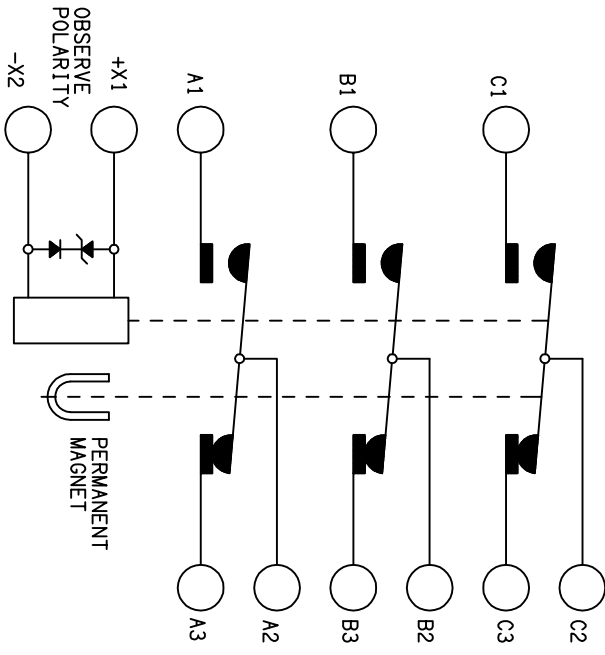
CONSTRUCTION

HERMETICALLY SEALED
3PDT SIDESTABLE

VOLTAGE (NOMINAL) 115/200 VAC 400 HZ
CURRENT: RES. 25 AMP
IND. 20 AMP
MOTOR 15 AMP

COIL DATA: DUTY CYCLE CONTINUOUS
NOM. COIL VOLTAGE 28 TO 31 VDC
PICKUP MAX. 18 VDC
DROPOUT VOLTAGE 1.5 V TO 7.0 V
RESISTANCE 290 OHM # 20% AT 25

ENVIRONMENTAL DATA
AMBIENT TEMP. -55 TO + 71
ALTITUDE 80,000 FT. MAX.
LIFE ELECTRICAL 50,000 CYCLES MIN.
LIFE MECHANICAL 100,000
WEIGHT MAX. (EST.) 6.5 OZ.



- NOTE:
1. COIL TRANSIENT VOLTAGE LIMITED TO #42 V REF. TO ZERO V.
 2. TRANSFER TIME 1.5 MS. MIN. AT 28 VDC AT 25.
 3. CHECK ORIENTATION OF HOOK TERM. B2 TO CORRECTLY PLACE THE RED DOT ON THE UNIT.
 4. ILLUSTRATIONS FOR REF. ONLY. PRODUCT MEETS ALL FUNCTIONAL AND DIMENSIONAL REQUIREMENTS.

FIND NO	QTY	PART OR IDENTIFYING NO	NOMENCLATURE OR DESCRIPTION	FSCM NO	DRAWING OR SPECIFICATION	MATERIAL OR NOTE
6						
5						
4	1	35119-001	PLATE - WIRING DIAGRAM			
3	1	20473-070	CONTACTOR ASSEMBLY - PRI.			
2	1	17959-001	PLATE - WARNING			
1	1	16043-001	PLATE - NAME			

UNLESS OTHERWISE SPECIFIED DIMENSIONS ARE IN INCHES TOLERANCES ON

2 PL. DEC. ± .010 ANGLES ± 1°
DR BY RLS 97/04/25
CHK BY RS 97/04/30
ENGR FW 97/04/25
MFG CE 97/04/30

SCALE NONE SHEET

SIZE C 74063

DWG NO. DH-14B-3

REF TE P/N 1616037-1

3MTE
Hartman Division, 175 N. Diamond Street, Mansfield, Ohio 44902

CONTACTOR - 3PDT SIDESTABLE
25 AMP, 115/200V, 400HZ