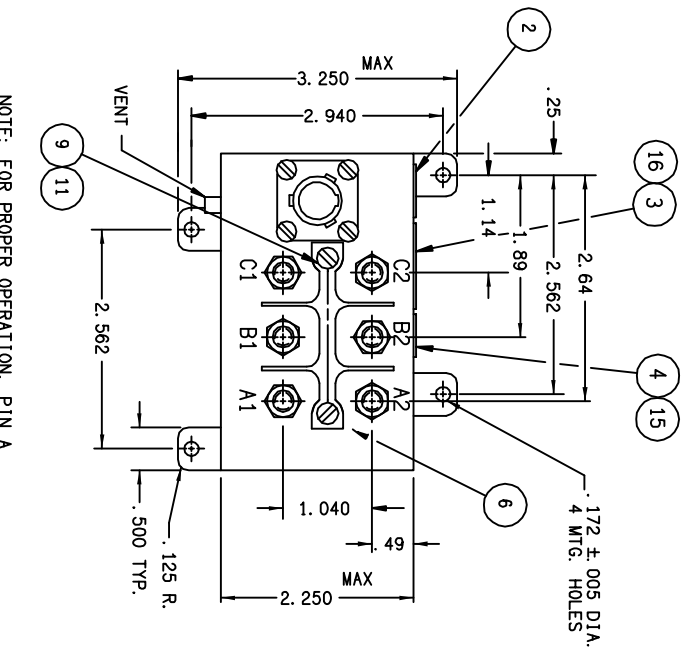
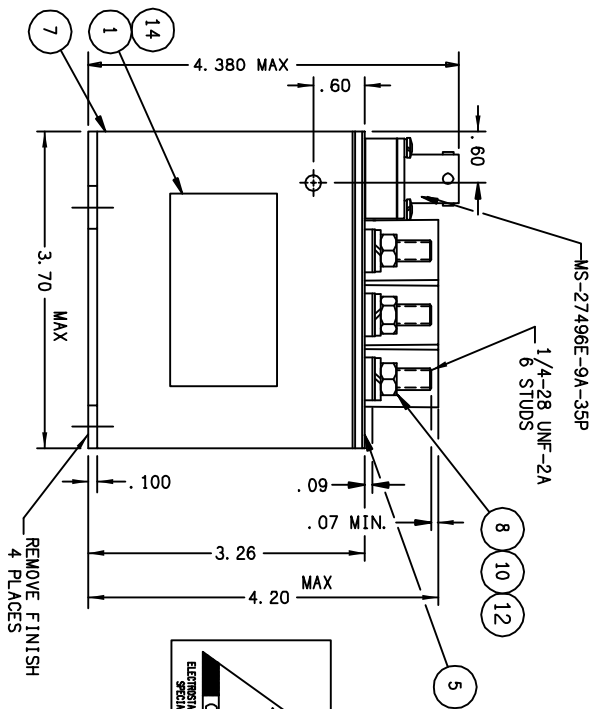


REV.	DESCRIPTION	RELEASED DATE	APPROVED
A	REMOVED NOT RELEASED FOR PRODUCTION	99/03/03	CB
B	REMOVED ITEM 17	03/12/10	CB
C	08-027323 3.26 DIA. WAS 3.23	08/10/13	CB



NOTE: FOR PROPER OPERATION, PIN A REQUIRES 18 TO 28 VDC



CONSTRUCTION
 MAIN CONTACTS
 CONFIGURATION
 VOLTAGE (NOM.)
 CURRENT RES.
 MOTOR RUPTURE
 OPERATE TIMES:
 CLOSING
 OPENING
 BOUNCE
 AUXILIARY CONTACTS
 CONFIGURATION
 VOLTAGE RES.
 CURRENT IND.
 COIL DATA
 DUTY CYCLE
 MIN. OPER. VOLTAGE
 MAX. OPER. VOLTAGE
 RESISTANCE

ENVIRONMENTAL DATA
 OPERATE TEMP.
 VIBRATION: RANDOM
 SHOCK
 ALTITUDE
 LIFE MECHANICAL
 LIFE AT RATED LOAD
 WEIGHT MAX.

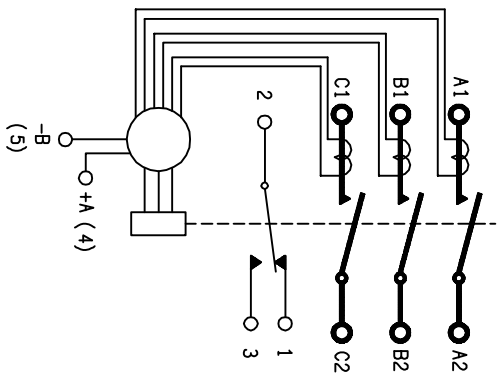
TRIP POINTS
 TRIP TIME (SECONDS)
 8.0 TO 10.0
 1.2 TO 2.0
 0.34 TO 0.65
 0.07 TO 0.20

PER GR835AU
 50g MAX, 10-12 MS. SAWTOOTH
 60,000 FT. MAX
 100,000 CYCLES MIN.
 50,000 CYCLES MIN.
 1.55 LBS.

CONTINUOUS ECONOMIZED
 18VDC AT 85°C
 32 VDC
 PICKUP - 5.7 OHMS ± 10%
 HOLD - 72.0 OHMS ± 10%

35 MS MAX. OVERRIDE AT 28 VDC
 25 MS MAX. OVERRIDE AT 28 VDC
 3 MS MAX.

SPDT
 28 VDC 115 VAC 400 - 610 HZ
 5 AMP
 3 AMP



NO	QTY	PART OR IDENTIFYING NO	NOMENCLATURE OR DESCRIPTION	FCSM NO	DRAWING OR SPECIFICATION	MATERIAL OR NOTE
17	1	39529-009	OVERLAY			
16	1	39529-007	OVERLAY			
15	1	39529-001	OVERLAY			
14	1	39529-001	OVERLAY			
13						
12	6	51807-034	WASHER - LOCK, NO. 1/4, SPLIT			BRONZE
11	2	51804-010	WASHER - LOCK, NO. 4, SPLIT			BRONZE
10	6	51703-064	WASHER - FLAT 1/2 X 17/64 X .032			BRASS
9	2	51204-960	SCREW 4-40 X 7/8 RD. HD.			BRASS
8	6	50407-074	NUT 1-4-28 X 3/8 X 3/16 HEX			BRASS
7	1	43154-060	CONTRACTOR ASSEMBLY - PRI.			
6	1	42726-002	SHIELD - TERMINAL			
5	1	42912-001	PLATE - BASE COVER			
4	1	41211-001	PLATE - WARNING			
3	1	42913-002	PLATE - WARNING DIAGRAM			
2	1	25695-001	PLATE - WARNING			
1	1	16043-001	PLATE - NAME			

GRUJMAN
GR835AU

UNLESS OTHERWISE SPECIFIED
DIMENSIONS ARE IN INCHES
TOLERANCES IN

2 PL. DEC. 3 PL. DEC. ANGLES
±.06 ±.010 ±1°

SCALE NONE SHEET

DR BY ROB 03/12/10
CHK BY CB 03/12/10
ENGR WER 03/12/17
MFG MB 03/12/17

SIZE CODE IDENT
C 74063

DWG NO.
RA3100J-1

REMOTE POWER CONTROLLER
115/208 VAC 3PST 110 AMP

093

REF TE P/N 1616133-3

Tyco Electronics
175 N. DIAMOND STREET WAREFIELD, OHIO 44022